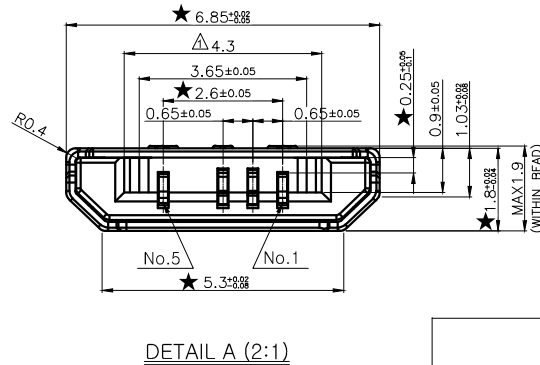
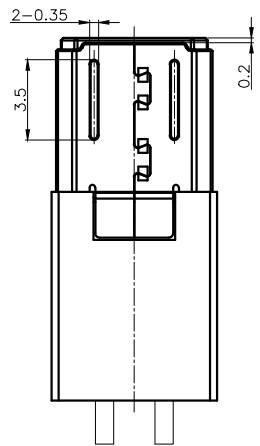


MODEL	HOLE-1	HOLE-2	TOLERANCE	CAP COLOR	MATERIAL
CAP TA	0.88	0.88	+0.05/-0.03	WHITE	PBT
CAP TA (BL)	1.13	1.13	+0.05/-0.03	BLUE(CLEAR)	PC
CAP TA (0.73pl)	0.73	0.73	+0.05/-0.03	GRAY(CLEAR)	PC

- NOTES -

- CONTACT PLATING
  - CONTACT AREA(No1, 5) : Au 0.75um Min, OVER Ni 1.0~5.0um
  - CONTACT AREA(No2, 3) : Au Flash OVER Ni 1.0~5.0um
  - LEAD AREA : Au 0.03um Min, OVER Ni 0.2~3.0um
- SHELL PLATING : Ni 0.3um Min
- "★" CTQ 항목 표시



No	PART NAME	MATERIAL	FINISH	ETC	Q'ty
6	CAP	PBT	COLOR : WHITE / UL94V-0	-	1
5	SHELL	STS301 Δ	NOTE. 2	-	1
4	LATCH	STS301	-	-	2
3	DUMMY CONTACT	C5210	NOTE. 1	CONTACT No. 2,3	1
2	CONTACT No.1	C5210	NOTE. 1	CONTACT No. 1,5	2
1	HOUSING	PA46	COLOR : BLACK / UL94V-2	-	1

MATERIAL		-		KET KOREA ELECTRIC TERMINAL CO., LTD.	
FINISH		-			
WIRE RANGE		//		CLASS MICRO USB PLUG CONNECTOR	
INSULATION		//		TYPE MICRO USB PLUG B-TYPE	
LTR	REVISION RECORD	DR	CHK	APP	DATE
DR.	HJ.KANG	01/06/2014	CHK.		
CHK.	YJ.CHO	01/06/2014	APP.	WC.BAEK	01/06/2014
ISSUE MARK		DR.		DATE	
		TOLERANCE EXCEPT AS NOTED		±0.1	
		SCALE		N/S	
		PRODUCT NAME		MICRO USB TA PLUG	
		PRODUCT NO.		K500107-02	
				1/1	