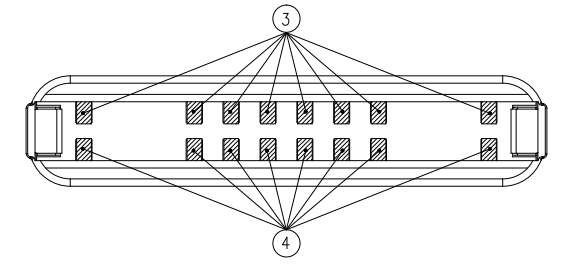


Latch mating & C-Cut part



PIN ASSIGNMENTS

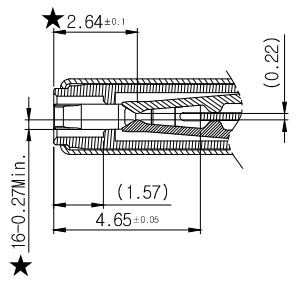
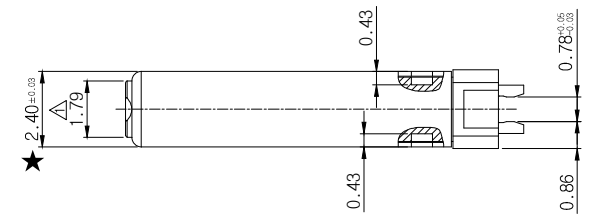
A12	A11	A10	A9	A8	A7	A6	A5	A4	A3	A2	A1
GND			Vbus	SBU1	D-	D+	CC	Vbus			GND
GND			Vbus	Vconn	D+	D-	SBU2	Vbus			GND
B1	B2	B3	B4	B5	B6	B7	B8	B9	B10	B11	B12

-NOTES-

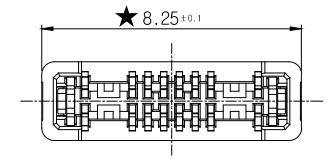
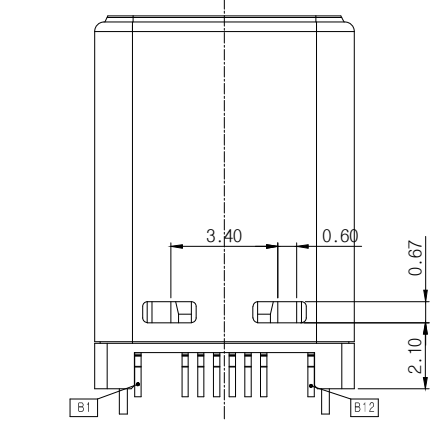
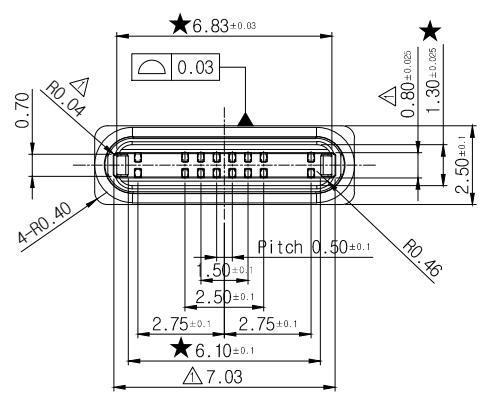
- General Tolerance : ± 0.15
- PLATING
 - CONTACT PLATING (selective plating)
 - Contact Area : Au 0.05um Min, over Pd-Ni 0.75um Min, over Ni 2.0um Min.
 - Lead Area : Au 0.03um Min, over Ni 2.0um Min.
 - SHELL, LATCH : Ni Flash
- ★ This indication will be managed by critical control dimension (C.T.Q ENTRY)
- () This indication is reference dimension (for understanding)

RECOMMEND PCB PATTERN

(TOLERANCE : ±0.05)



Receptacle mating part



5	LATCH	STS301	NOTE. 2	-	2
4	CONTACT-B	C7035	NOTE. 2	-	8
3	CONTACT-A	C7035	NOTE. 2	-	8
2	SHELL	STS316L	NOTE. 2	-	1
1	HOUSING	PA46	COLOR : BLACK / UL94V-2	-	1
No	PART NAME	MATERIAL	FINISH	ETC	Q'ty
			MATERIAL -		
			FINISH -		
			WIRE RANGE //	CLASS	USB TYPE-C PLUG
			INSULATION //	TYPE	USB PCB TYPE
△	ECO-1906-011	PBS	CYJ	KHG	19.06.10
LTR	REVISION RECORD	DR.	CHK.	APP.	DATE
DR.	BS.PARK	2018/10/29	CHK.	//	
CHK.	YJ.CHO	2018/10/29	APP.	WC.BAEK	2018/10/29
			TOLERANCE EXCEPT AS NOTED //	SCALE	N/S
			PRODUCT NAME	C PLUG 16P PLUG DRAWING(A)	
				PRODUCT NO.	K500171-16
					1/1