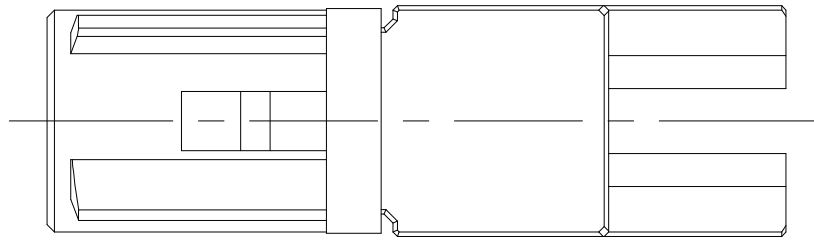
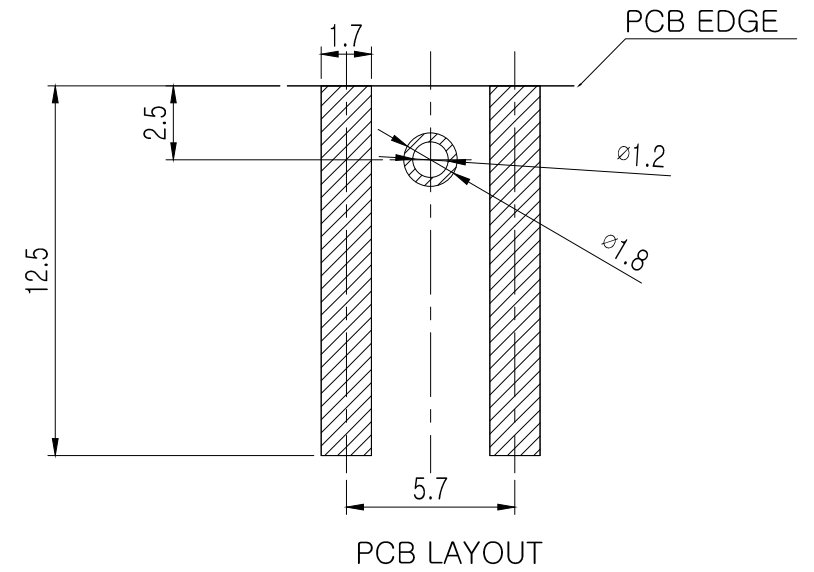


ISO VIEW



GENERAL TOLERANCE (ASSY)							USED ON
10MAX	50MAX	100MAX	250MAX	250VR	ANGLE	ECCENT	
±0.2	±0.3	±0.55	±0.95	±1.4	±30'	0.1	



PCB LAYOUT  
(General Tolerance: ±0.05)

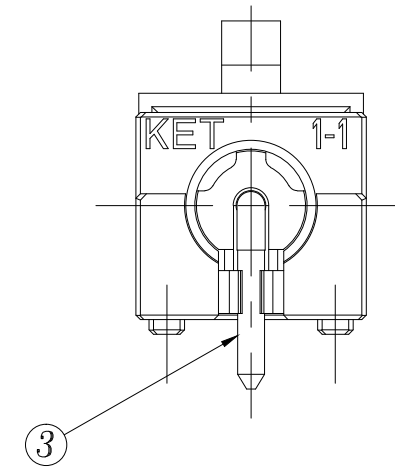
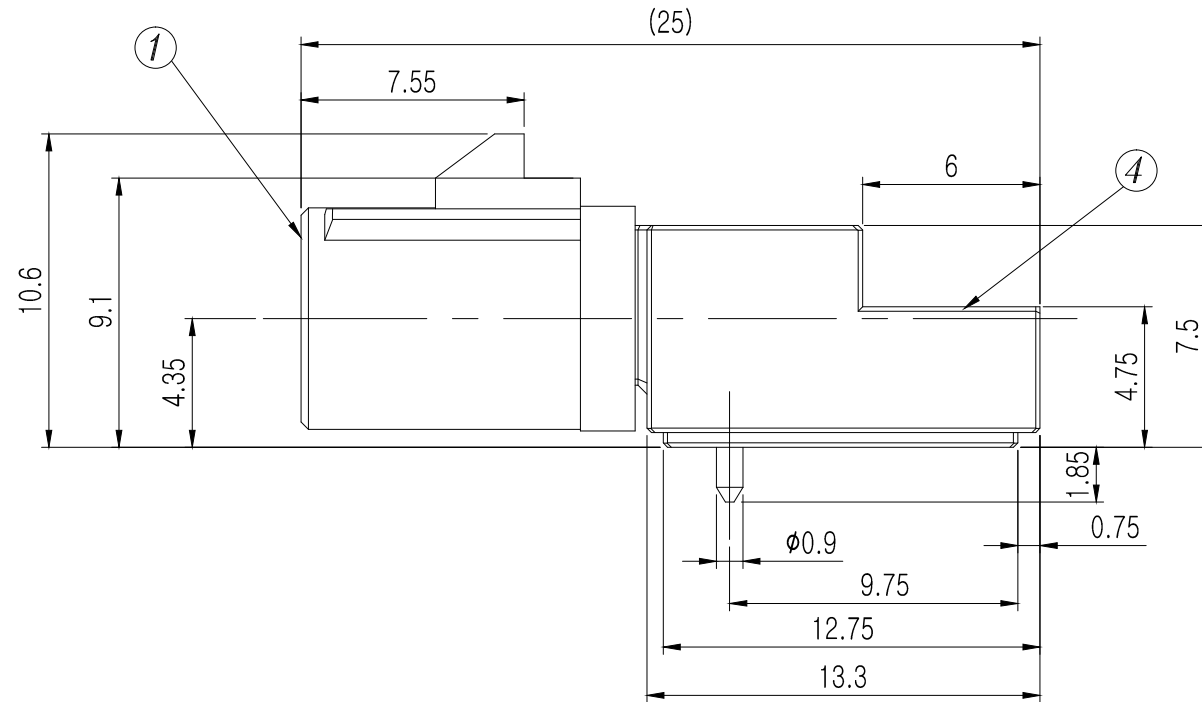
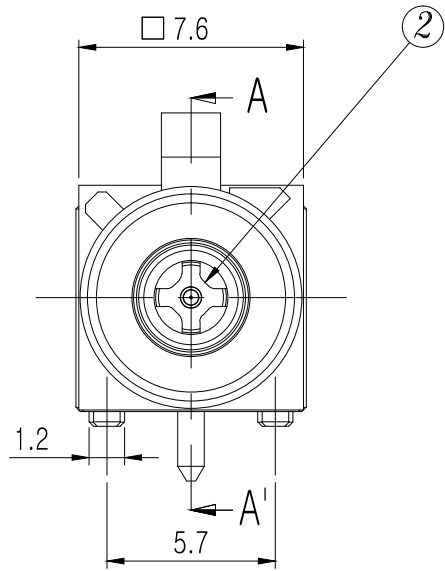


TABLE "A"

FAKRA HL25 WAFER III ASSY (DIP_*)							
CODING	COLOR	Part No.	CODING	COLOR	Part No.		
	A	BLACK	KR15023-DA		H	VIOLET	-
	B	WHITE	KR15023-DB		I	BEIGE	-
	C	BLUE	-		K	CURRY	-
	D	BORDEAUX VIOLET	-		L	CARMINE RED	-
	E	GREEN	-		M	PASTEL ORANGE	-
	F	BROWN	-		N	PASTEL GREEN	-
	G	GRAY	-		Z	WATER BLUE	-

주 기

- 기능상 유해한 흠, 변형 및 BURR 없을 것.
- HKMC ES 91500-03 SPEC 에 준할 것.
- DC to 6 GHz, VSWR 1:2 이하

10 hazardous substances in parts (Lead, Mercury, Cadmium, Hexavalent Chromium, PBBs, PBDEs, DEHP, DBP, BBP, DIBP) shall not exceed the maximum permissible concentration prescribed under EU ELV Directive & RoHS Regulation.

4	SHELL	ZINC ALLOY	-	Ni + Sn	1	-
3	CONTACT PIN	C3601	-	Ni + Au	1	-
2	INSULATOR	PA6T	BALCK	-	1	-
1	OUT HOUSING	PA4T	SEE TABLE "A"	-	1	-
No.	Part Name	Material	Color	Finish	Q'ty	Remark
				MATERIAL		
				FINISH		
				WIRE RANGE		
				INSULATION		
				SCALE	4:1	
				TOLERANCE EXCEPT AS NOTED		
				PART NAME		
DR.	J.Y.H 18.03.20	CHK.	K.U.H 18.03.20			
CHK.	P.J.M 18.03.20	APP.	K.H.C 18.03.20			

**APPROVED**  
2021-11-03  
KOREA ELECTRIC TERMINAL CO., LTD.  
Korea Electric Terminal Co., LTD.

ISSUE MARK

**KIET ENGINEERED** KOREA ELECTRIC TERMINAL CO., LTD.

CLASS RF  
TYPE FAKRA  
PART NO. KR15023-D\* (\*: Coding)

FAKRA HL25 WAFER III ASSY(DIP\_\*)