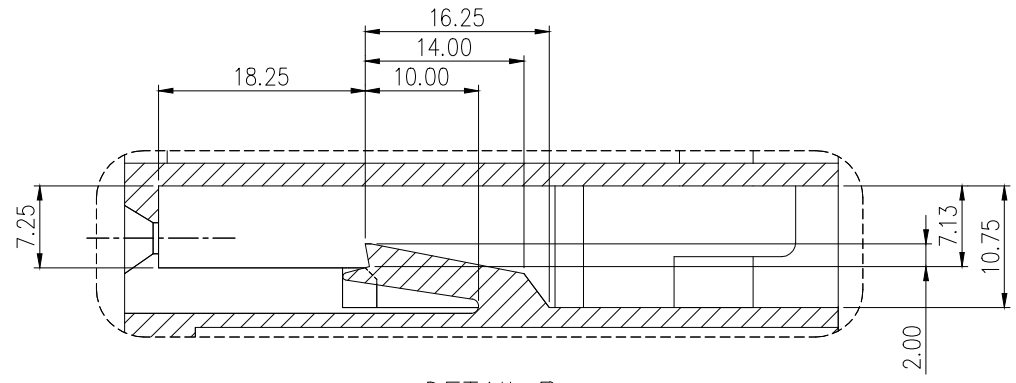
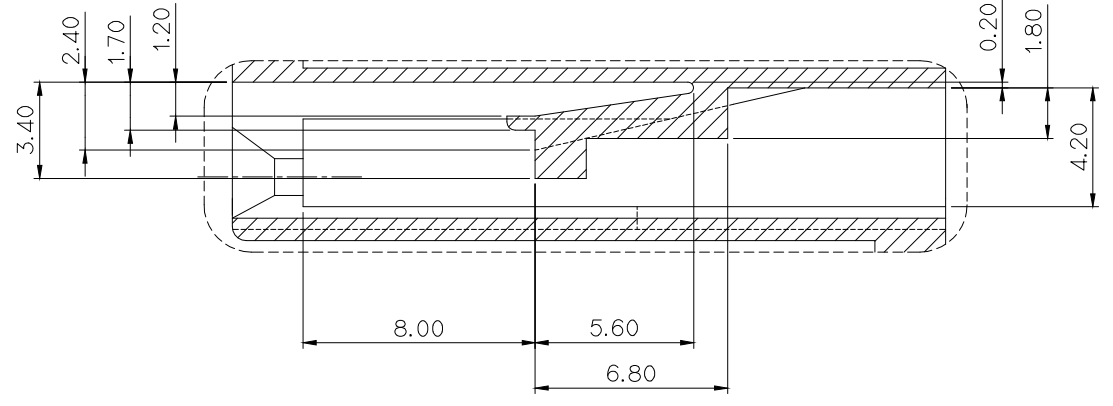
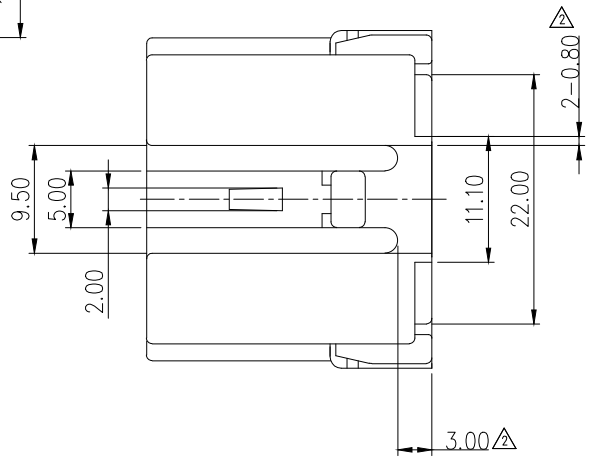


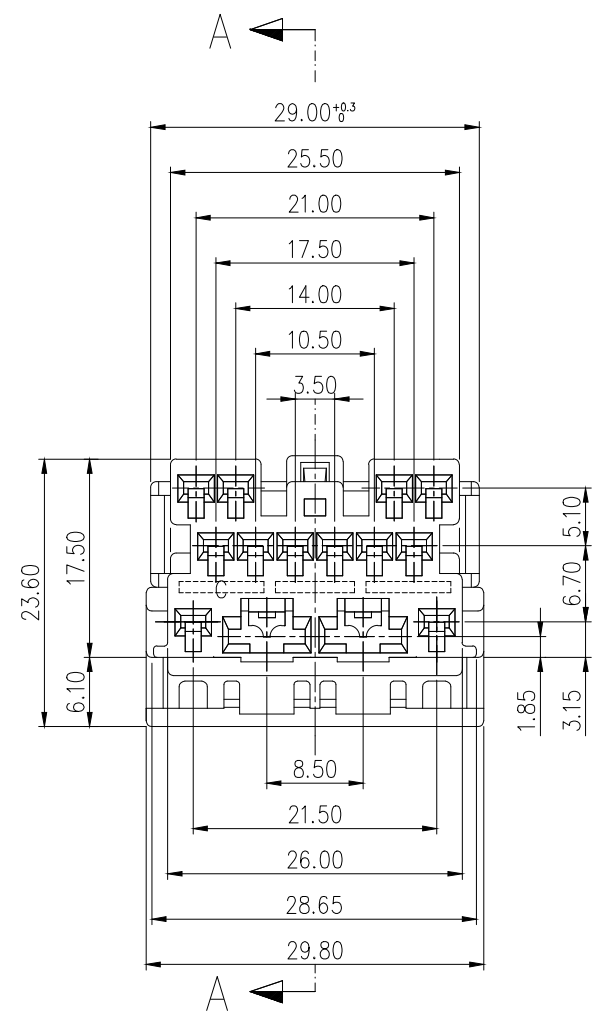
GENERAL TOLERANCE (HOUSING)							USED ON
10MAX	50MAX	100MAX	250MAX	250VR	ANGLE	ECCENT	
±0.2	±0.3	±0.55	±0.95	±1.4	±30'	0.1	



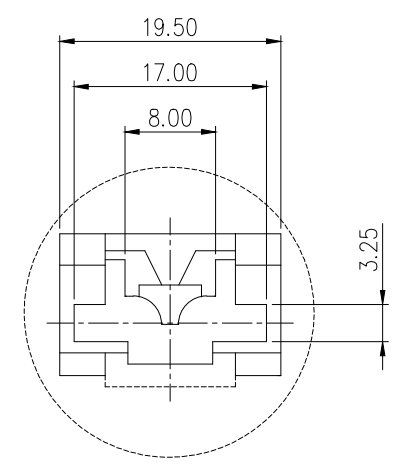
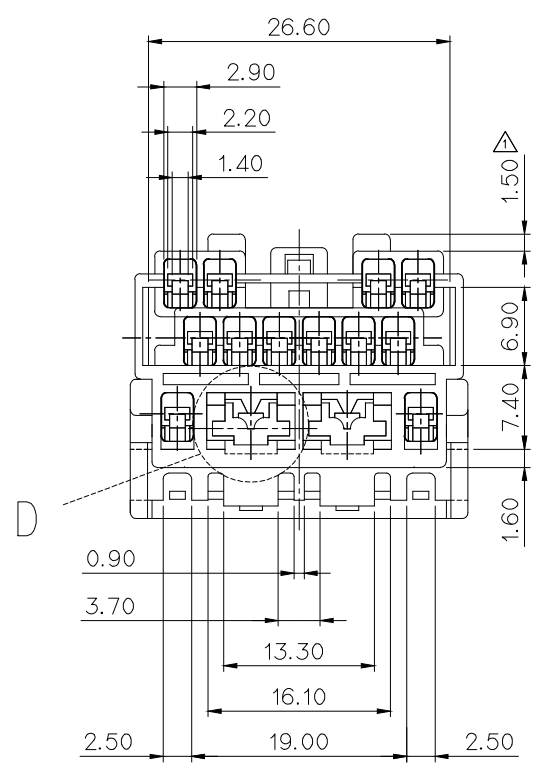
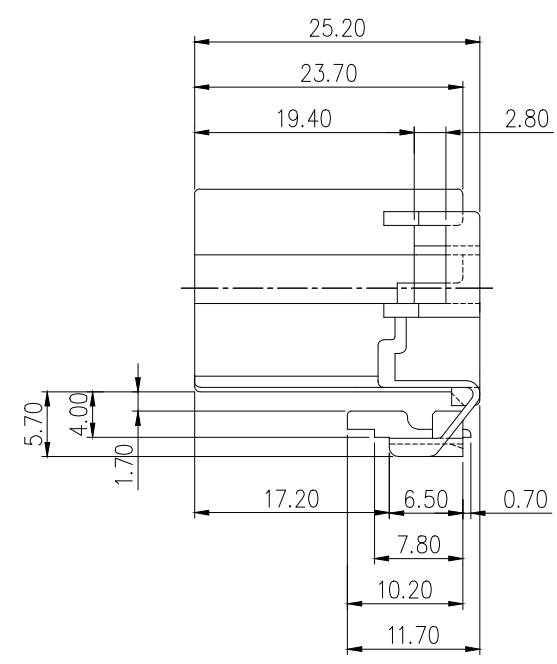
DETAIL B  
(S= 5/1)



DETAIL C  
(S= 5/1)



A



DETAIL D  
(S= 5/1)

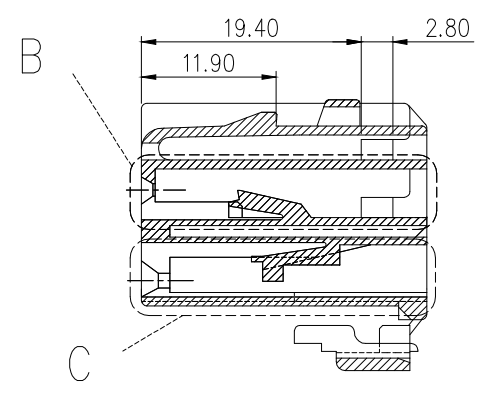
NO.	MATERIAL	COLOR
* 0	P B T	NATURAL
1		RED
2		BLUE
20		JADE
3		YELLOW
4		GRAY
40		DARK GRAY
41		LIGHT GRAY
5		BLACK
6		DARK GREEN
7		BROWN
8		LIGHT GREEN
9		MAGENTA
11		ORANGE

주 기

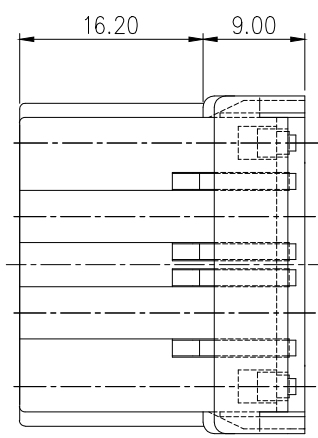
- 1.지시하지 않은 반경 R은 0.5로 한다
- 2.적용 TERMINAL(250) : ST730467,ST730468,ST730469
- △ 적용 TERMINAL(070) : ST730497,ST730498,ST731417,△ST731099
- 3.적용 HOUSING: MG620568
- 4.제품내 함유된 6대 유해물질 (납, 수은, 카드뮴, 6가 크롬,PBBs, PBDEs) 은 EU ELV 지침 및 RoHS 법규에서 지정한 최대 허용 농도를 초과해서는 안된다.

NOTE

- 1.UNLESS OTHERWISE SPECIFIED ALL RADII TO BE 0.5 RADIUS.
- 2.APPLICABLE TERMINAL(250) : ST730467,ST730468,ST730469
- △ APPLICABLE TERMINAL(070) : ST730497,ST730498,ST731417,△ST731099
- 3.APPLICABLE HOUSING :MG620568
- 4.6 HAZARDOUS SUBSTANCES IN PARTS (LEAD,MECURY, CADMIUM, HEXAVALENT CHROMIUM, PBDEs) SHALL NOT EXCEED THE MAXIMUM PERMISSIBLE CONCENTRATION PRESCRIBED UNDER EU ELV DIRECTIVE.



SECTION A-A



ISSUE MARK

ECO-2004-131 큰거 도면 제작명	KJH	HYJ	CJH	20.04.10	MATERIAL	SEE TABLE	Kiet KOREA ELECTRIC TERMINAL CO., LTD.
ECO-1605-335 큰거 도면 제작명	KCS	CKY	LSY	16.05.27	FINISH	SEE TABLE	
사출(02073)과 HSB LOCK LEVER 삽입	KYM	KKJ	JJH	02.12.10	WIRE RANGE	CLASS	250 / 070
품질 개선에 따른 삽보강	JANG	KKJ	JJH	97.03.19	INSULATION	TYPE	비방수
LTR	REVISION	RECORD	DR.	CHK.	APP.	DATE	TOLERANCE EXCEPT AS NOTED
DR.	RHO	94.03.26	CHK.	JJH	94.03.28	SCALE	±0.2 / 2/1
CHK.	JWK		APP.	WATANABE		PART NAME	2507 PLUG HOUSING 14P
						PART NO.	MG610567