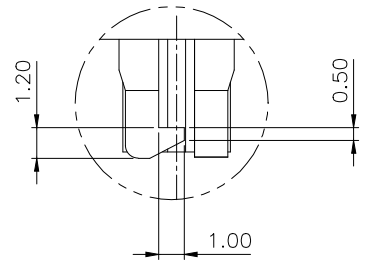
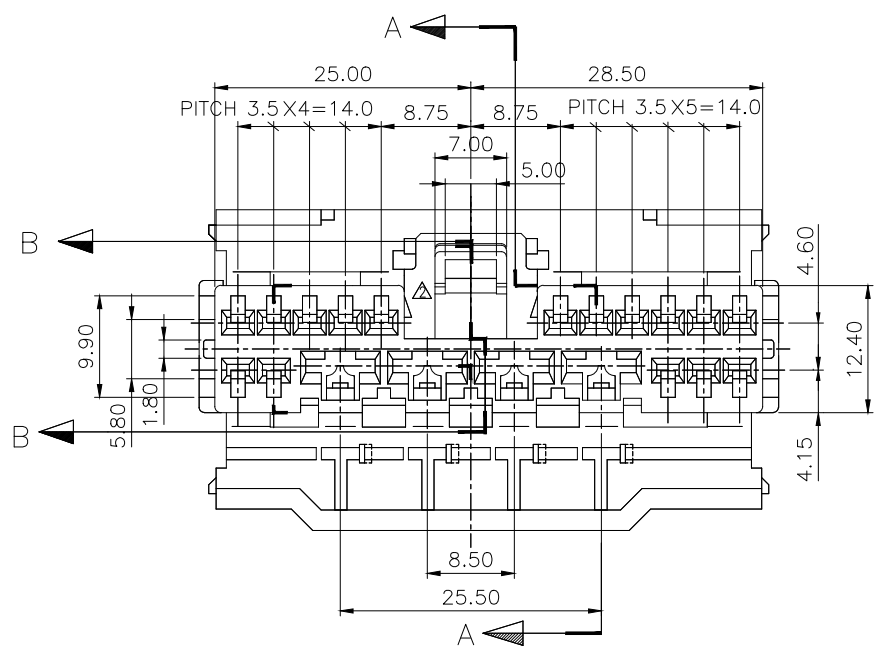


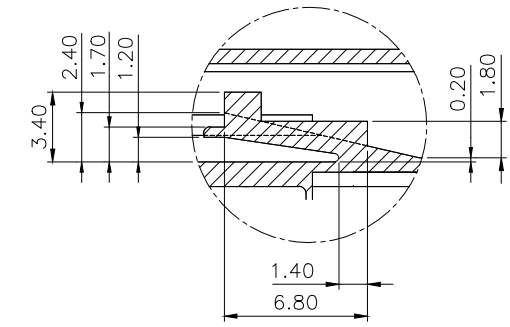
SECTION B-B



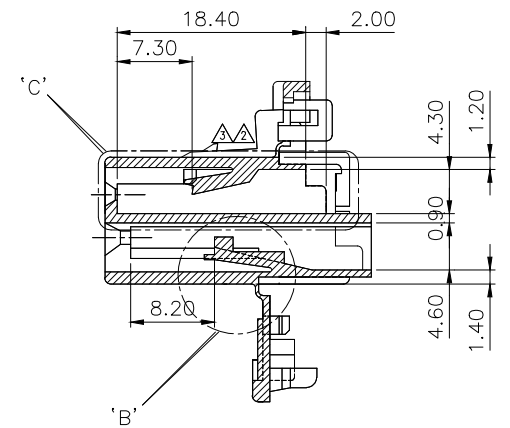
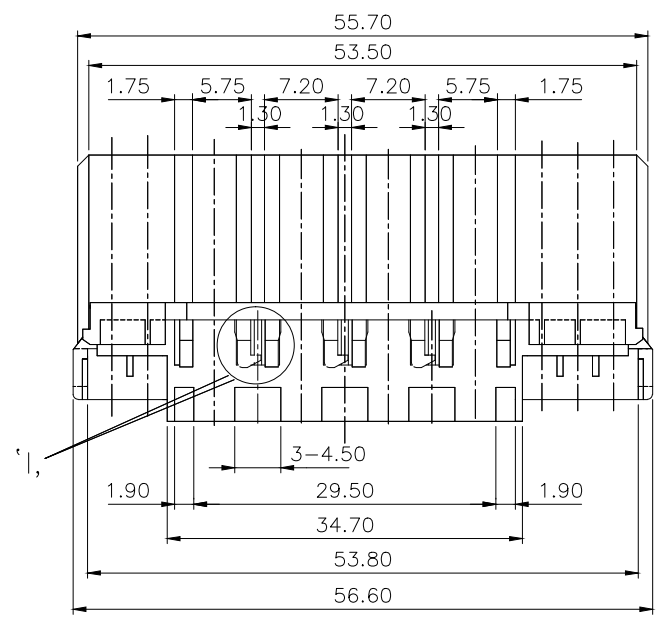
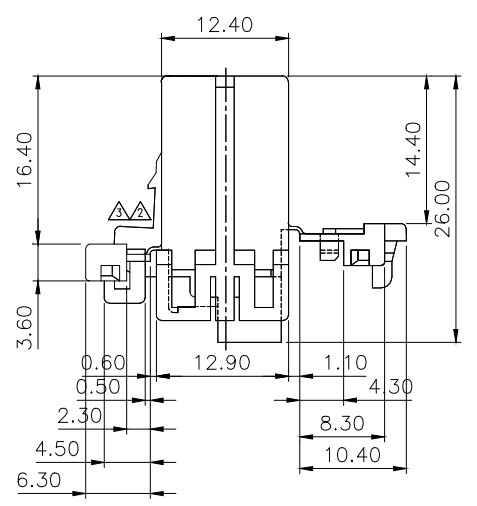
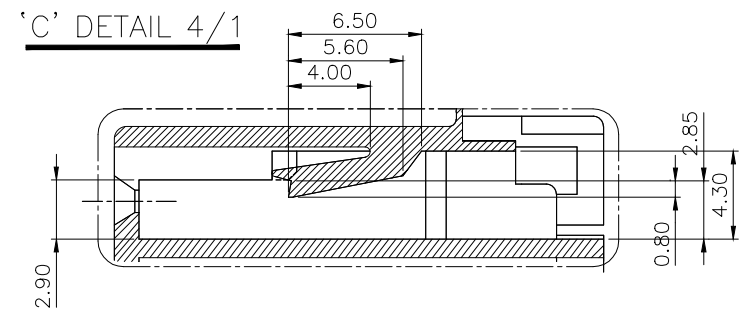
'I' DETAIL 5/1



'B' DETAIL 4/1



'C' DETAIL 4/1

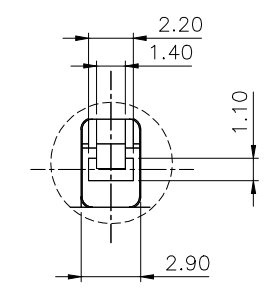


SECTION A-A

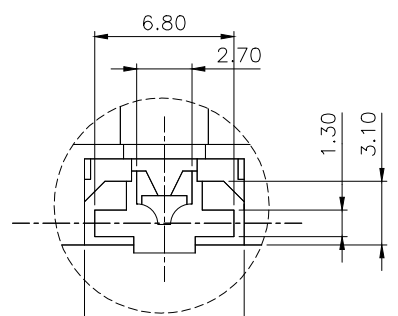
NOTE

- 1. 지시없는 R는 0.5로 한다.
- 2. 상대 HOUSING NO.은 MG 620572
- 3. 각 부위별 극수( .250 TYPE : 4극 , .070 TYPE : 16극 )
- 4. SDL REC.TM'L : ST730497,498  
250D/L REC.TM'L : ST730467,468,469

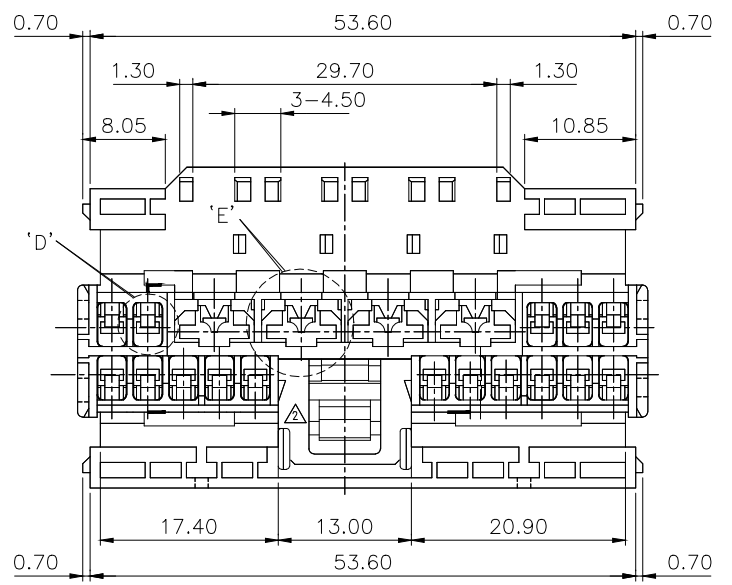
ISSUE MARK



'D' DETAIL 4/1



'E' DETAIL 4/1



**APPROVED**  
2016-03-11  
KOREA ELECTRIC  
TERMINAL CO., LTD.  
Product Development Team 1

		MATERIAL		NYLON66		<b>KIET</b> KOREA ELECTRIC		
		FINISH		NATURAL		<b>ENGINEERED</b> TERMINAL CO., LTD.		
ECO-1301-068에 근거 도면 재작성		Y.M.K	CSH	HS	'13.01.14	WIRE RANGE		
ECO-1210-104에 근거 도면 재작성		Y.M.K	CSH	HS	'12.10.16	CLASS		
970046		JANG		970926		INSULATION		
REVISION RECORD		DR.	CHK.	DATE	TOLERANCE EXCEPT AS NOTED	SCALE	PART NO.	
DR.	JANG 97.9.22	CHK.	9/26	9/26	±0.2	2/1	MG610571	
CHK.	9/26	APP.	9/29		PART NAME			
							2507 20P PLUG.HS'G	