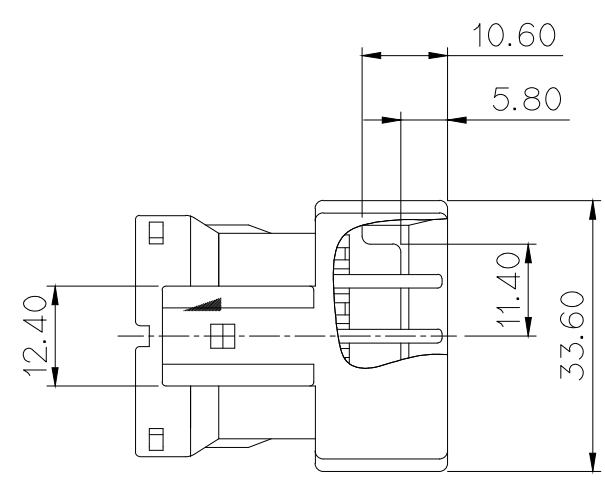
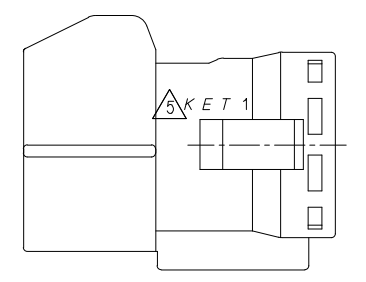
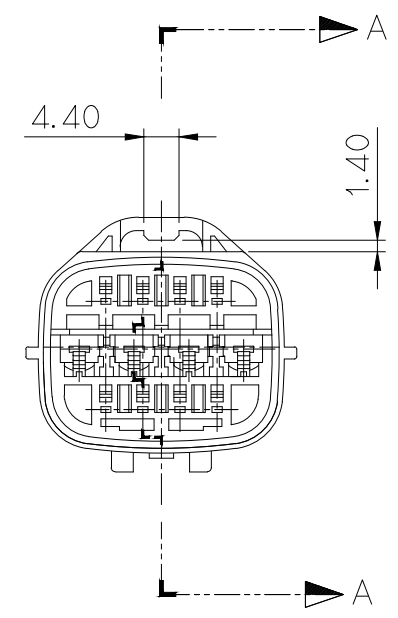
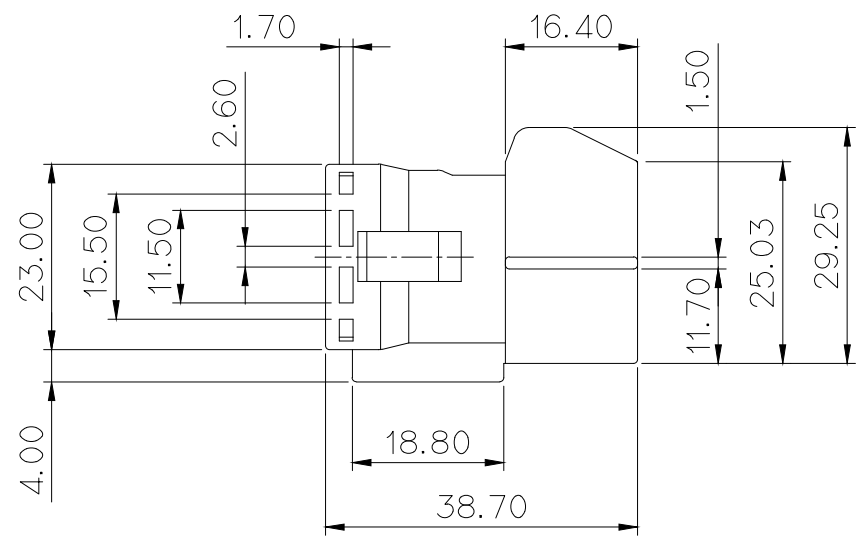
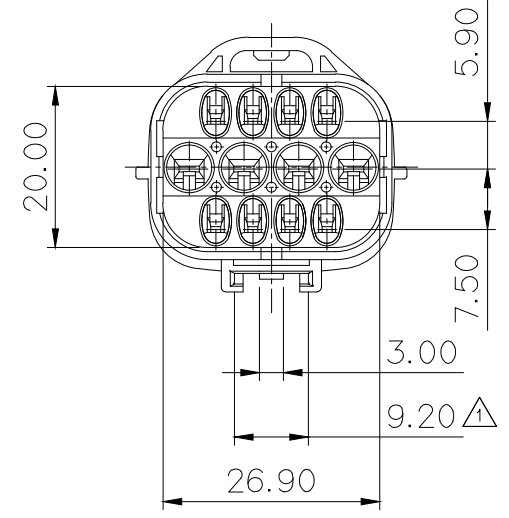
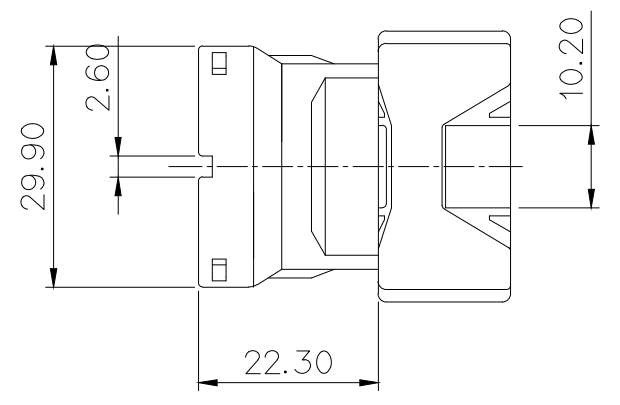
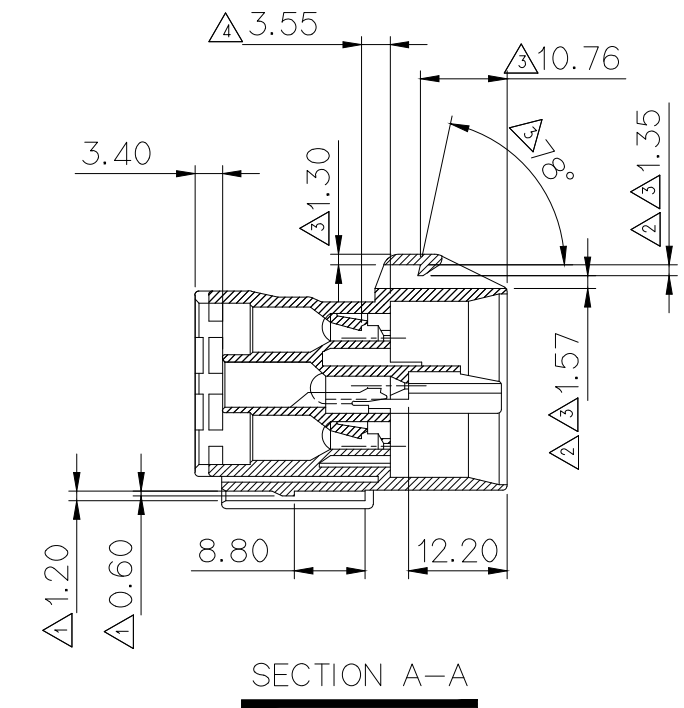


GENERAL TOLERANCE (HOUSING)					USED ON
10MAX	20MAX	45MAX	ANGLE	ECCENT	
±0.20	±0.25	±0.30	±30'	0.10	



**NOTE**

- UNLESS OTHERWISE SPECIFIED ALL RADII TO BE 0.5 RADIUS.
- APPLICABLE OF TERMINAL : SSD TAB – ST740709  
090II WP TAB – ST740686, 687, 688
- 6 HAZARDOUS SUBSTANCES IN PARTS (LEAD, MERCURY, CADMIUM, HEXAVALENT CHROMIUM, PBBs, PBDEs) SHALL NOT EXCEED THE MAXIMUM PERMISSIBLE CONCENTRATION PRESCRIBED UNDER EU ELV DIRECTIVE & RoHS REGULATION.

**NOTE**

- 지시하지 않는 R은 전부 0.5로 할것.
- 적용 TERMINAL: SSD TAB- ST740709  
.090II WP TAB-ST740686, 687, 688
- 제품내 함유된 6대 유해물질 (납, 수은, 카드뮴, 6가크롬, PBBs, PBDEs)은 EU ELV 지침 및 RoHS 법규에서 지정한 최대 허용 농도를 초과해서는 안된다.

NO.	MATERIAL	COLOR
* 0	P B T:	NATURAL
1		RED
2		BLUE
20		JADE
3		YELLOW
△* 4		GRAY
40		DARK GRAY
41		LIGHT GRAY
* 5		BLACK
6		DARK GREEN
7		BROWN
8	LIGHT GREEN	
9	MAGENTA	
11	ORANGE	

**APPROVED**

**2017-08-10**

**KOREA ELECTRIC TERMINAL CO., LTD.**  
Korea Electric Terminal Co., LTD.

ISSUE MARK

ECO-1610-317 근거 도면 재작성	LND	KMH	LSY	16.10.24	MATERIAL	PBT	<b>KET</b> KOREA ELECTRIC TERMINAL CO., LTD.
실계사양변경(S090238)근거 재작성	CDH	LSY	—	09.08.18	FINISH	BLACK	
LOCK 강도 보강 위한 형상 변경	KDJ	—	—	04.10.01	WIRE RANGE		CLASS
시방변경(030217)근거 단차 삭제	SWS	—	—	03.12.20	INSULATION		TYPE
시방변경 "020107"의거 도면 재작성	LSY	—	—	02.08.06	TOLERANCE EXCEPT AS NOTED	SEE TABLE	PART NO.
REVISION RECORD					SCALE	1/1	MG610709
DR. WON	1997.04.18	CHK. —	1997.04.18	PART NAME			
CHK. —	1997.07.14	APP. Watanabe	1997.07.14	.0509 12P PLUG HOUSING			