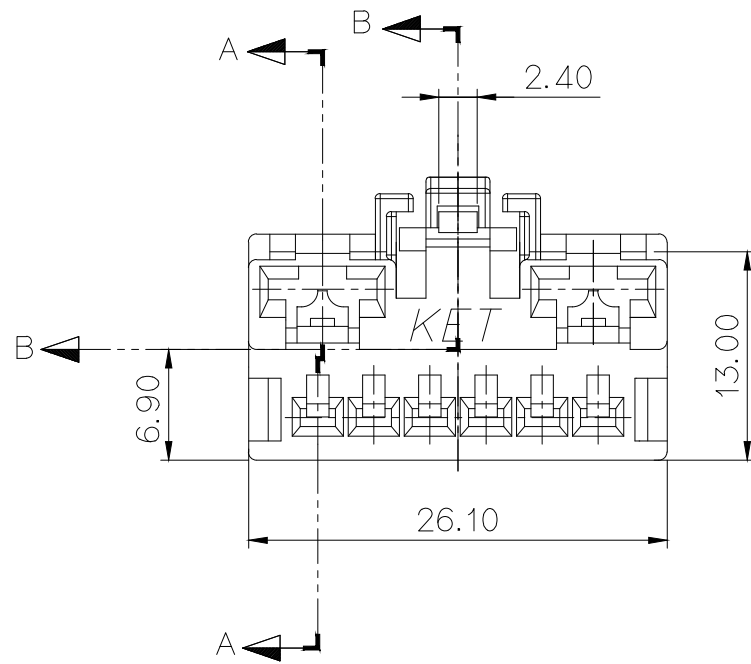
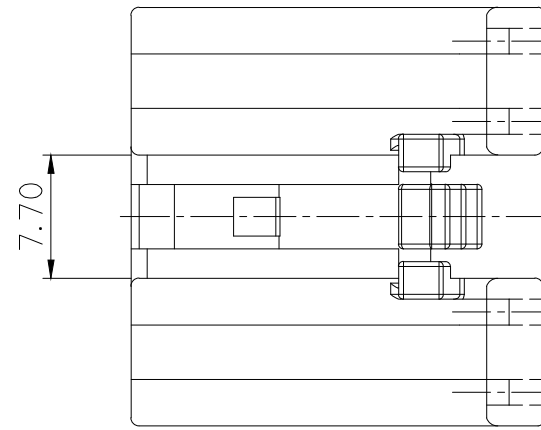
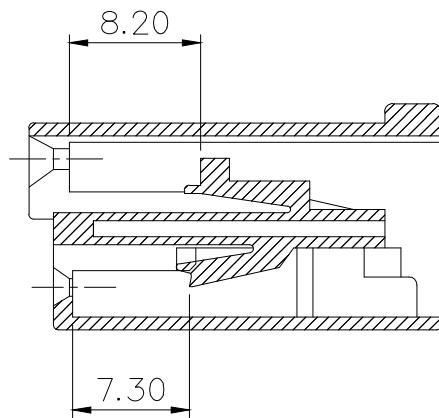
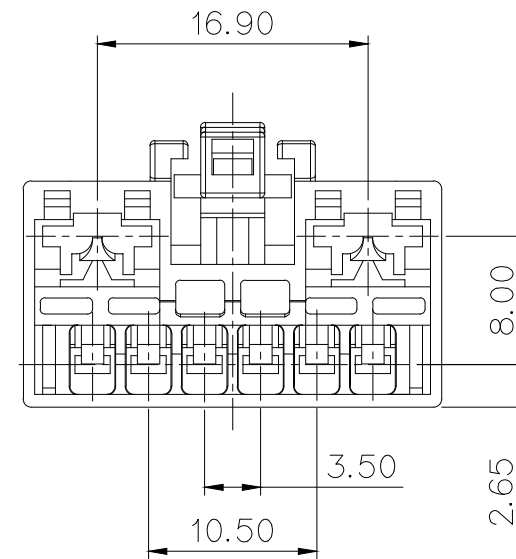
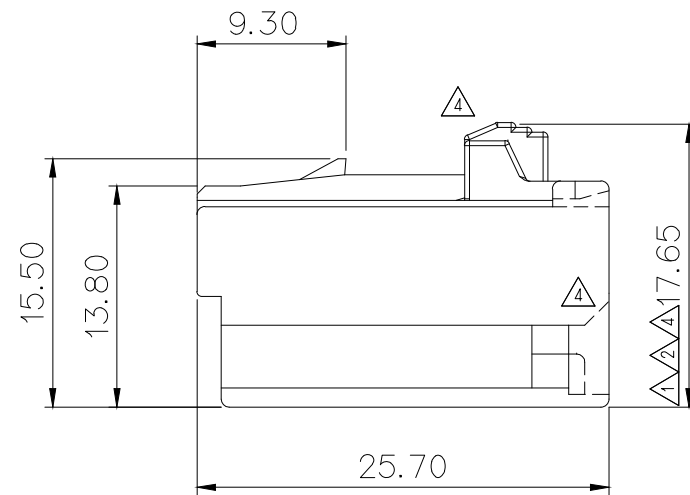


SECTION B-B



SECTION A-A



NO.	MATERIAL	COLOR
* 0	PBT	NATURAL
1		RED
2		BLUE
20		JADE
3		YELLOW
* 4		GRAY
40		DARK GRAY
41		LIGHT GRAY
5		BLACK
6		DARK GREEN
7		BROWN
8	LIGHT GREEN	
9	MAGENTA	
11	ORANGE	

GENERAL TOLERANCE (HOUSING)							USED ON
10MAX	50MAX	100MAX	250MAX	250VR	ANGLE	ECCENT	
±0.2	±0.3	±0.55	±0.95	±1.4	±30'	0.1	

NOTE

- MUST BE FREE OF FLASH, WELDLINE AND IMPERFECTION THAT AFFECT FUNCTION.
- APPLICABLE TERMINAL(070): ST730497, 730498, 731099, 731417  
APPLICABLE TERMINAL(250): ST730467, 730468, 730469
- MATCHING HOUSING: MG620803, R/HOLDER: MG630915
- 6 HAZARDOUS SUBSTANCES IN PARTS (LEAD, MERCURY, CADMIUM, HEXAVALENT CHROMIUM, PBBs, PBDEs) SHALL NOT EXCEED THE MAXIMUM PERMISSIBLE CONCENTRATION PRESCRIBED UNDER EU ELV DIRECTIVE & RoHS REGULATION.

주 기

- 제품 기능상 유해한 BURR, 변형 및 WELDLINE 등이 없을 것.
- 적용 TERMINAL(070): ST730497, 730498, 731099, 731417  
적용 TERMINAL(250): ST730467, 730468, 730469
- 적용 HOUSING: MG620803, R/HOLDER: MG630915
- 제품내 함유된 6대 유해물질 (납, 수은, 카드뮴, 6가크롬, PBBs, PBDEs)은 EU ELV 지침 및 RoHS 법규에서 지정한 최대 허용 농도를 지정한 최대 허용 농도를 초과해서는 안된다.

APPROVED

2020-12-09

KOREA ELECTRIC  
TERMINAL CO., LTD.  
Korea Electric Terminal Co., LTD.

ISSUE MARK

ECO-2004-131 근거 도면 변경 (070 터미널 품번 추가)	SKM HYJ CJH	20.04.08	MATERIAL	SEE TABLE	KOREA ELECTRIC TERMINAL CO., LTD.
ECO-1605-033 근거 도면 변경 (리어홀더 체결 개선 및 LEVER 들뜸 방지 구조)	LJJ CKY LSY	16.05.09	FINISH	SEE TABLE	
실계사양변경(S100115)근거 재작성	KMH - KKJ	10.05.13	WIRE RANGE		CLASS
시방(040222) 근거 변경	CJH KKJ KCH	04.12.21	INSULATION		TYPE
시방(040129) 근거 변경 (LOCK부 높이 개선)	KYM KKJ KCH	04.09.20	TOLERANCE EXCEPT AS NOTED	SEE TABLE	SCALE 2/1
LTR	REVISION RECORD	DR. CHK. APP. DATE	PART NO.	MG610802	
DR. WON 95.06.14	CHK. KKJ 7/7 CJH 7/11		PART NAME	2507 8P PLUG HS'G	
CHK. JWK 7/10	APP. WATANABE 7/14				