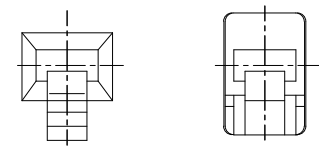
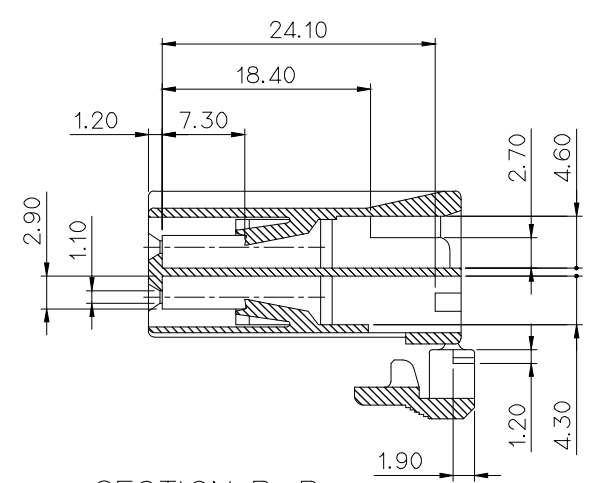
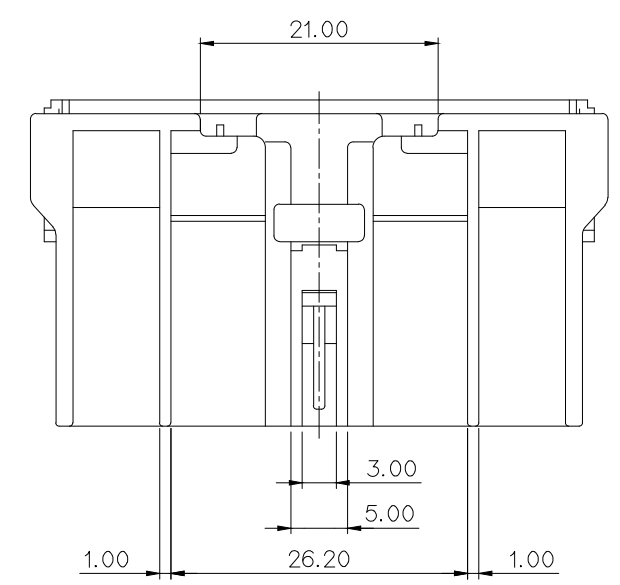


GENERAL TOLERANCE (HOUSING)							USED ON
10MAX	50MAX	100MAX	250MAX	250VR	ANGLE	ECCENT	
±0.2	±0.3	±0.55	±0.95	±1.4	±30'	0.1	



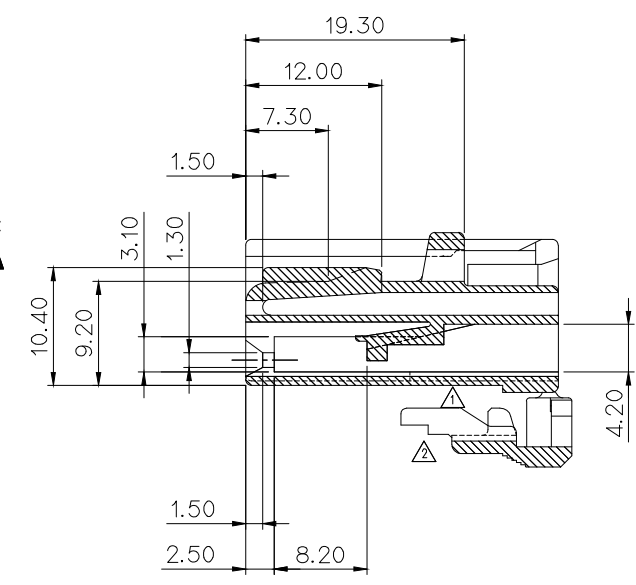
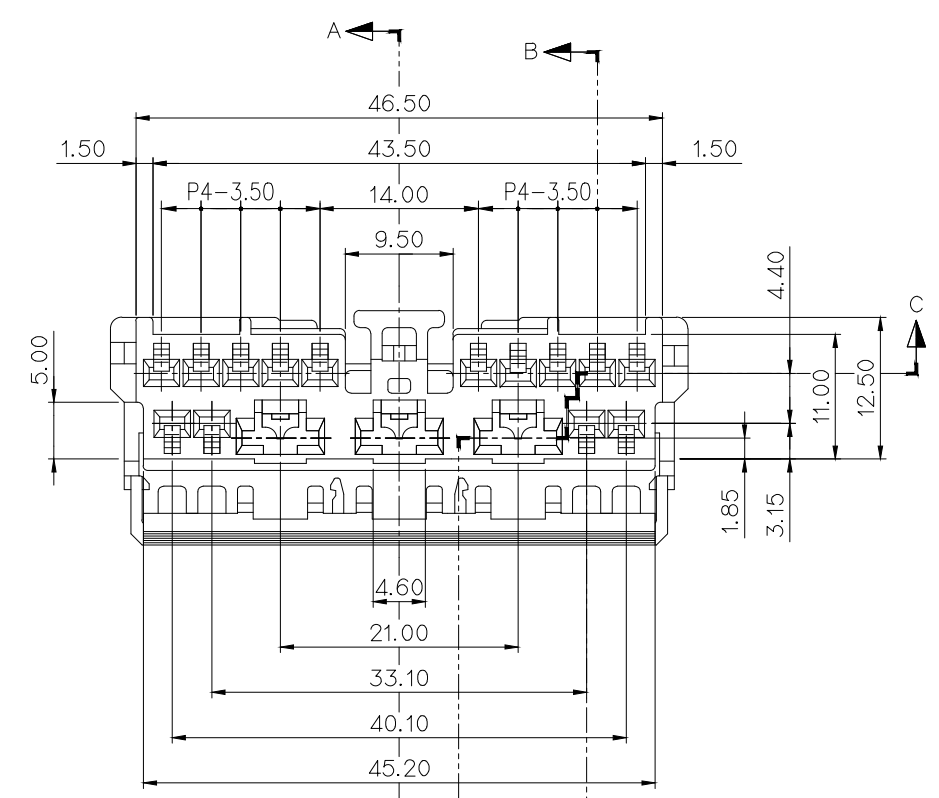
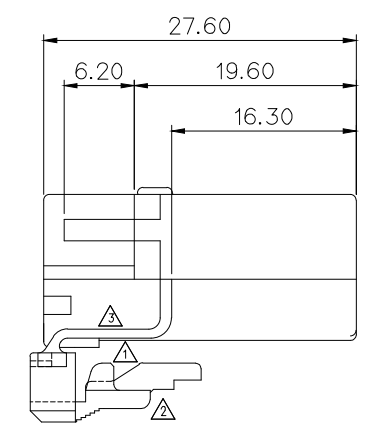
070 - CAVITY



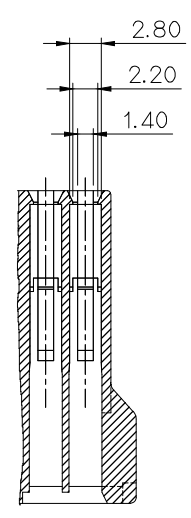
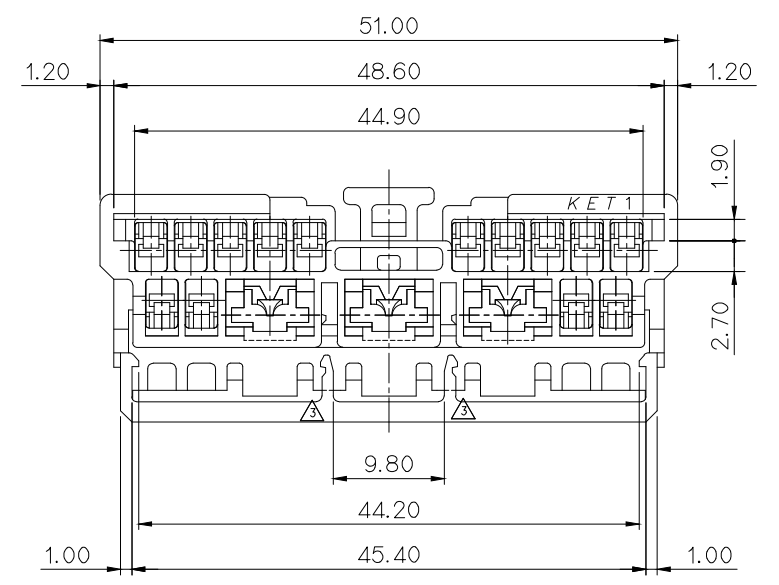
SECTION B-B

NOTE

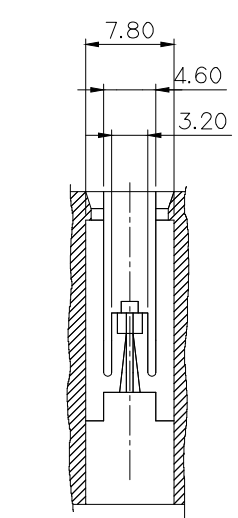
- MUST BE FREE OF FLASH, WELDLINE AND IMPERFECTION THAT AFFECT FUNCTION.
- APPLICABLE TERMINAL(070): ST730497, 730498, △731099, △731417  
APPLICABLE TERMINAL(250): ST730267, 730268, 730269, △731420, △731421
- MATCHING HOUSING: MG620805, R/HOLDER: MG630788
- 6 HAZARDOUS SUBSTANCES IN PARTS (LEAD, MERCURY, CADMIUM, HEXAVALENT CHROMIUM, PBBs, PBDEs) SHALL NOT EXCEED THE MAXIMUM PERMISSIBLE CONCENTRATION PRESCRIBED UNDER EU ELV DIRECTIVE & RoHS REGULATION.



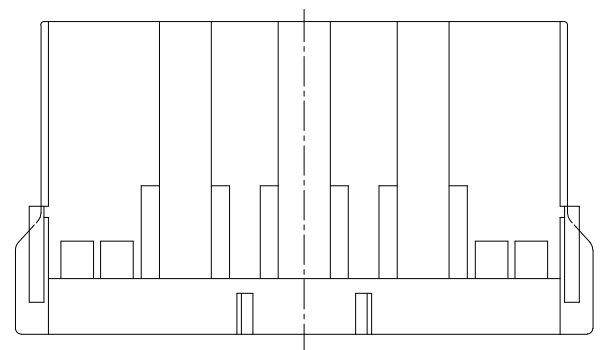
SECTION A-A



SECTION C-C



SECTION C-C



NO.	MATERIAL	COLOR
* 0	P B T	NATURAL
1		RED
* 2		BLUE
20		JADE
3		YELLOW
4		GRAY
40		DARK GRAY
41		LIGHT GRAY
5		BLACK
6		DARK GREEN
7		BROWN
8	LIGHT GREEN	
9	MAGENTA	
11	ORANGE	

주 기

- 제품기능상 유해한 BURR, 변형 및 WELDLINE 등이 없을 것.
- 적용 TERMINAL(070): ST730497, 730498, △731099, △731417  
적용 TERMINAL(250): ST730267, 730268, 730269, △731420, △731421
- 적용 HOUSING : MG620805  
적용 REAR HOLDER : MG630788
- 제품내 함유된 6대 유해물질 (납, 수은, 카드뮴, 6가크롬, PBBs, PBDEs)은 EU ELV 지침 및 RoHS 법규에서 지정한 최대 허용 농도를 초과해서는 안된다.



ISSUE MARK

ECO-2004-131 큰거 도면 변경 (070, 250 터미널 품번 추가)	SKM	HYJ	CJH	20.04.08	MATERIAL	SEE TABLE	
ECO-1606-376 큰거 도면 변경 (F/HOLDER 및 HINGE 부 형상 변경)	KJS	-	LSY	16.06.27	FINISH	SEE TABLE	
ECO-1307-145에 큰거 도면 변경	YMK	CSH	CWK	13.07.15	WIRE RANGE	CLASS	
시방번호 990062 큰거 (2곳)	KIM	KKJ	JJH	99.5.13	INSULATION	TYPE	
LTR	REVISION RECORD	DR.	CHK.	APP.	DATE	TOLERANCE EXCEPT AS NOTED	
DR.	95.04.04	CHK.	JJH	95.04.04	SCALE	2/1	PART NO.
CHK.		APP.	JWK	4/14	PART NAME	2507 PLUG HOUSING 17P	

KOREA ELECTRIC TERMINAL CO., LTD.

MG610804

MG610804

2507 PLUG HOUSING 17P