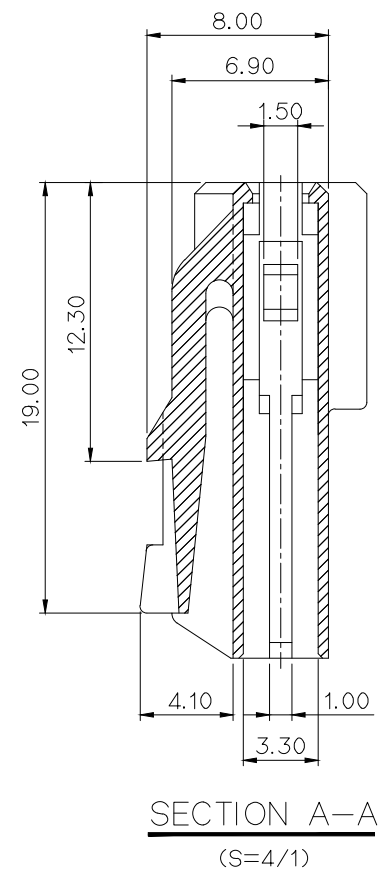
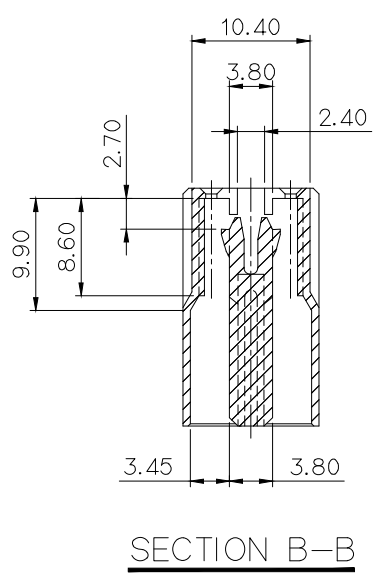
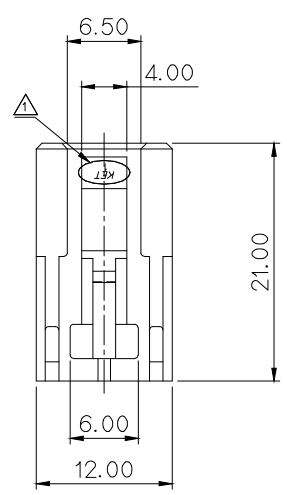
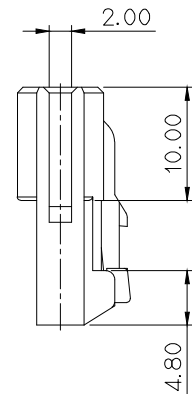
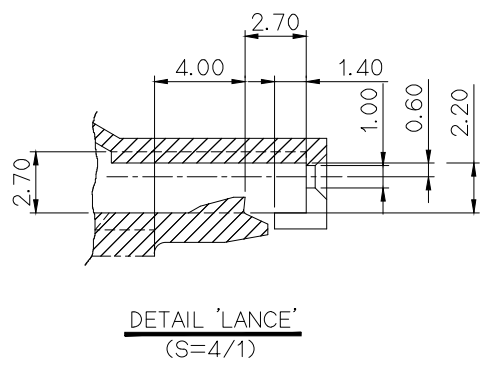
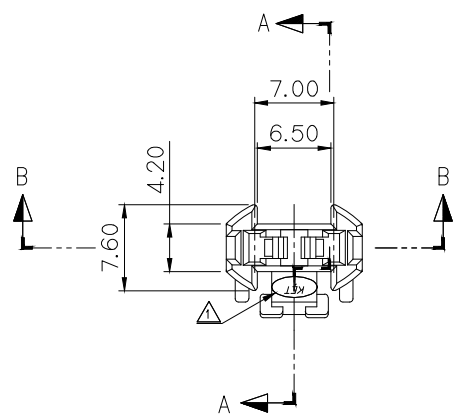
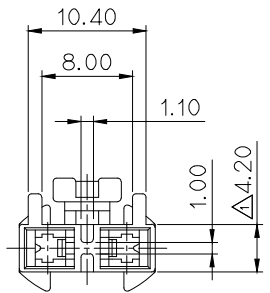


GENERAL TOLERANCE (HOUSING)							USED ON
10 MAX	50 MAX	100 MAX	250 MAX	250 VR	ANGLE	ECCENT	
±0.15	±0.2	±0.3	±0.5	±0.75	±30'	0.1	



- 주 기**
- 기능상 유해한 BURR 및 변형등이 없을 것.
 - 적용 TERMINAL KET P/NO:ST 730365, ST 730366
 - CONNECTOR 고착력 : 6.0 Kg이하
 - 제품내 함유된 6대 유해물질 (납,수은,카드뮴,6가크롬, PBBs,PBDEs)은 EU ELV 지침 및 RoHS 법규에서 지정한 최대 허용 농도를 초과해서는 안된다.

- NOTE**
- MUST BE FREE OF BURR, WELDLINE AND IMPERFECTION THAT AFFECT FUNCTION.
 - APPLICABLE TERMINAL P/NO: ST730365, ST730366
 - CONNECTOR RETENTION FORCE : 6.0 kgf MIN
 - 6 HAZARDOUS SUBSTANCES IN PARTS (LEAD, MERCURY, CADMIUM, HEXAVALENT CHROMIUM, PBBs, PBDEs) SHALL NOT EXCEED THE MAXIMUM PERMISSIBLE CONCENTRATION PRESCRIBED UNDER EU ELV DIRECTIVE & RoHS REGULATION.



NO.	MATERIAL	COLOR
0	P B T	NATURAL
1		RED
2		BLUE
20		JADE
3		YELLOW
* 4		GRAY
40		DARK GRAY
41		LIGHT GRAY
5		BLACK
6		DARK GREEN
7		BROWN
8		LIGHT GREEN
9	MAGENTA	
11	ORANGE	

APPROVED
2017-08-10
KOREA ELECTRIC
TERMINAL CO., LTD.
Korea Electric Terminal Co., LTD.

ISSUE MARK

				MATERIAL ΔSEE TABLE		KOREA ELECTRIC	
				FINISH ΔSEE TABLE		TERMINAL CO., LTD.	
				WIRE RANGE		CLASS	
				INSULATION		TYPE	
ECO-1507-130 근거 도면 제작 (각인 위치 수정, 치수 현실화)	YSS	CKY	YSS	'15.07.06			
LTR	REVISION RECORD	DR.	CHK.	APP.	DATE	TOLERANCE EXCEPT AS NOTED ΔSEE TABLE	SCALE 2/1
DR.	Sae 95.02.04	CHK.				PART NO.	MG610850
CHK.		APP.				PART NAME	090III-2P PLUG HOUSING