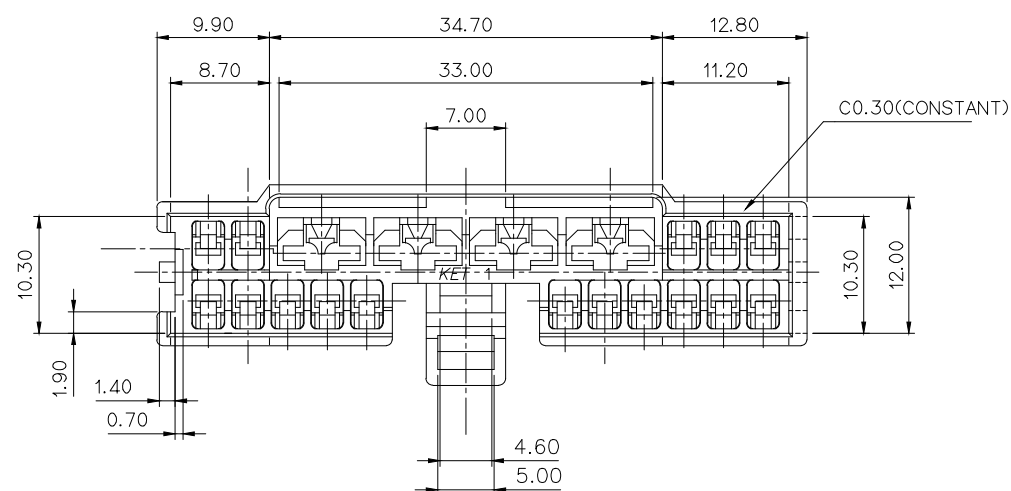
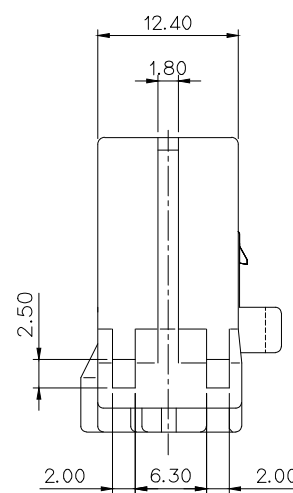
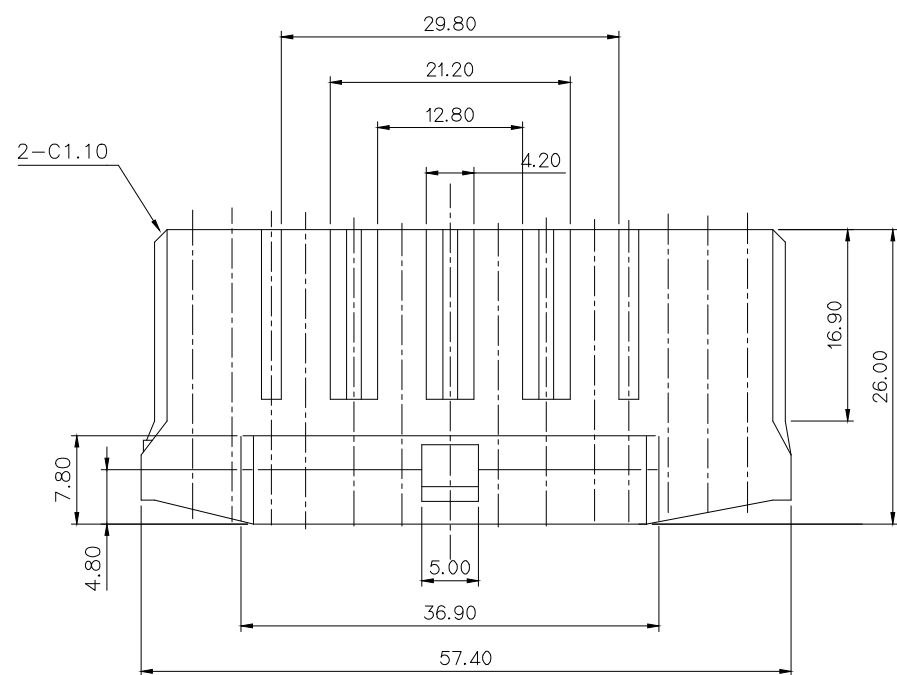
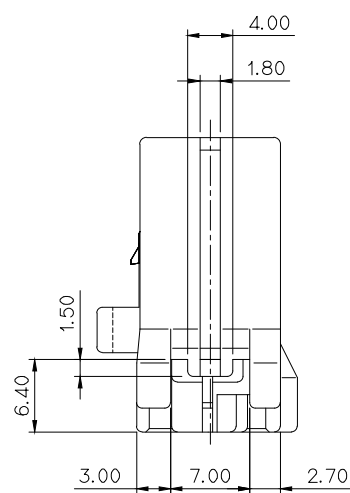
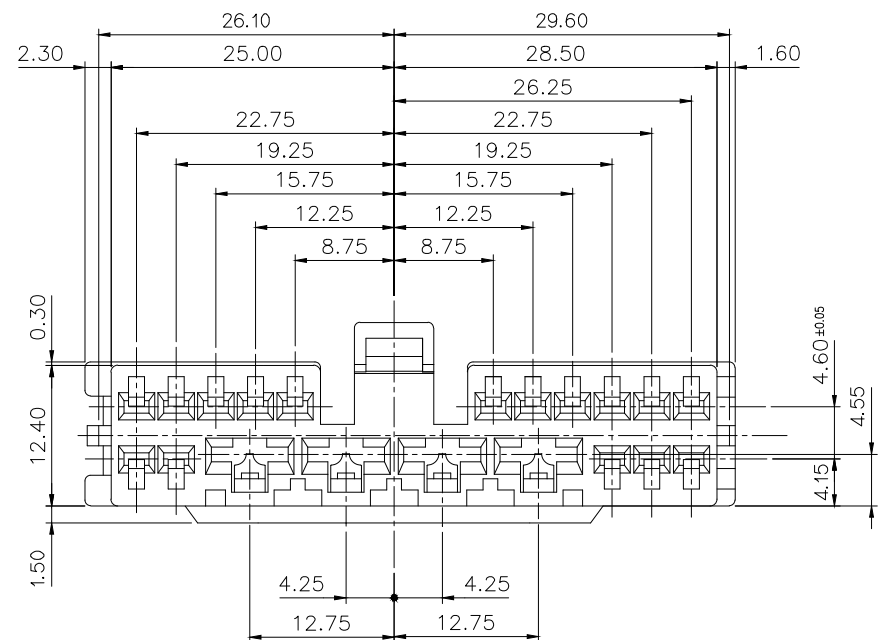


GENERAL TOLERANCE (HOUSING)									USED ON
10MAX	30MAX	50MAX	70MAX	100MAX	120MAX	250MAX	250VR	ANGLE	
±0.15	±0.20	±0.30	±0.40	±0.50	±0.75	±0.9	±1.4	±30'	



NOTE

- MUST BE FREE OF FLASH, SINK AND IMPERFECTION THAT AFFECT FUNCTION.
- UNLESS OTHERWISE SPECIFIED ALL RADII TO BE 0.5 RADIUS.
- APPLICABLE TERMINAL(250) : ST730467,730468,730469
△APPLICABLE TERMINAL(250) : ST730497,730498,731417,△731099
- APPLICABLE HOUSING :MG620918, R/H: MG630917
- KET MARK : TAPER 15°(H : 0.1~0.2, SIZE : 1.5)
CAVITY NO. : TAPER 0°(H : 0.1~0.2, SIZE : 1.5)
- HAZARDOUS SUBSTANCES IN PARTS (LEAD, MERCURY, CADMIUM, HEXAVALENT CHROMIUM, PBDEs) SHALL NOT EXCEED THE MAXIMUM PERMISSIBLE CONCENTRATION PRESCRIBED UNDER EU ELV DIRECTIVE.

주 기

- 기능상 유해한 BURR 및 WELDLINE등이 없을것.
- 지시하지 않은 반경 R은 0.5로 한다
- 적용 TERMINAL(250) : ST730467,730468,730469
△적용 TERMINAL(070) : ST730497,730498,731417,△731099
- 적용 HOUSING: MG 620918, R/H: MG 630917
- KET 문자 : 기울기 15°(H : 0.1~0.2, SIZE : 1.5)
CAVITY NO. : 기울기 0°(H : 0.1~0.2, SIZE : 1.5)
- 제품내 함유된 6대 유해물질 (납, 수은, 카드뮴, 6가 크롬, PBBs, PBDEs)은 EU ELV 지침 및 RoHS 법규에서 지정한 최대 허용 농도를 초과해서는 안된다.

NO.	MATERIAL	COLOR
* 0	P B T	NATURAL
1		RED
2		BLUE
20		JADE
3		YELLOW
4		GRAY
40		DARK GRAY
41		LIGHT GRAY
5		BLACK
6		DARK GREEN
7		BROWN
8		LIGHT GREEN
9		MAGENTA
11		ORANGE



ISSUE MARK

		MATERIAL SEE TABLE		KET KOREA ELECTRIC	
		FINISH SEE TABLE		TERMINAL CO., LTD.	
△	ECO-2004-131 근거 도면 재작성	KJH H.Y.	CJH	20.04.10	WIRE RANGE CLASS 250 / 070
△	ECO-1605-335 근거 도면 재작성	KCS CKY	LSY	16.05.30	INSULATION TYPE 비방수
LTR	REVISION RECORD	DR.	CHK.	APP. DATE	TOLERANCE EXCEPT AS NOTED ±0.2 SCALE 2/1 PART NO. MG610916
DR. JANG 97.5.21		CHK. BOG, JJH 97.5.22		PART NAME 2507 20P PLUG HS'G	
CHK.		APP. WATANABE 97.5.23			