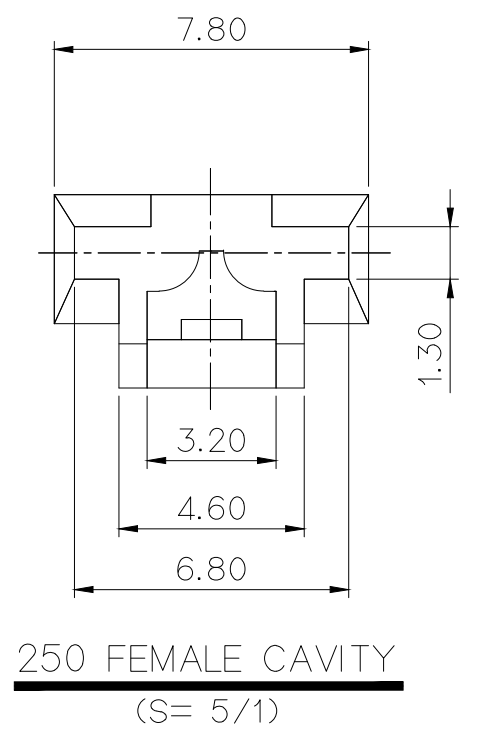
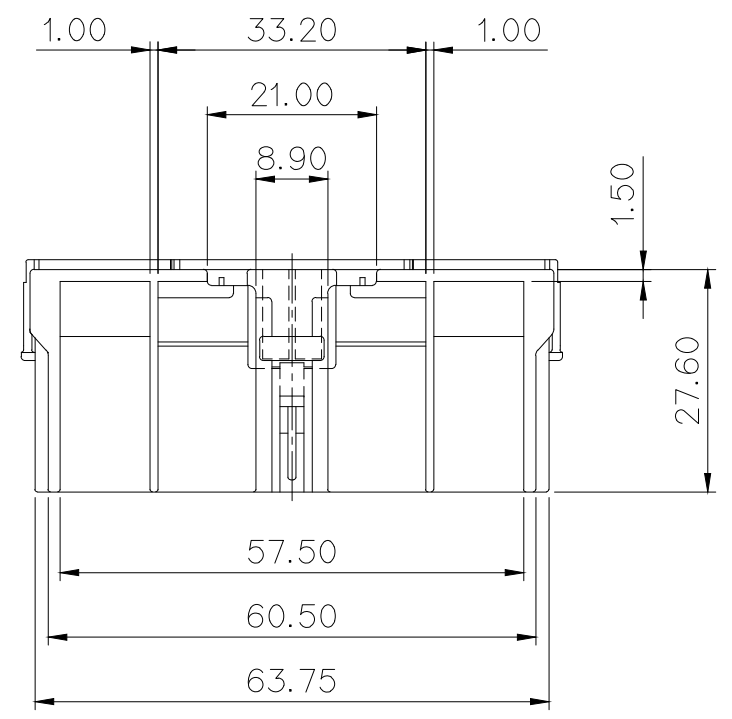


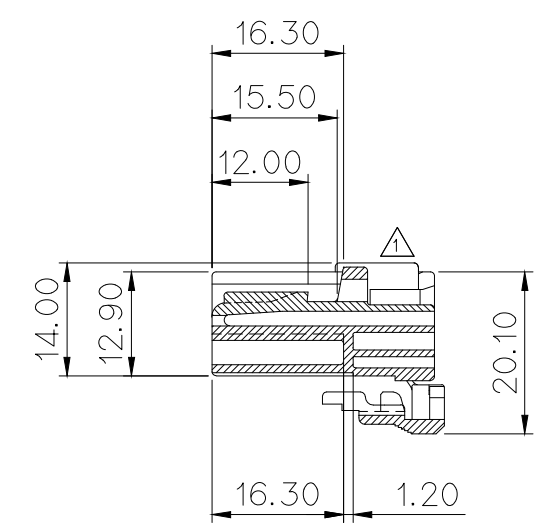
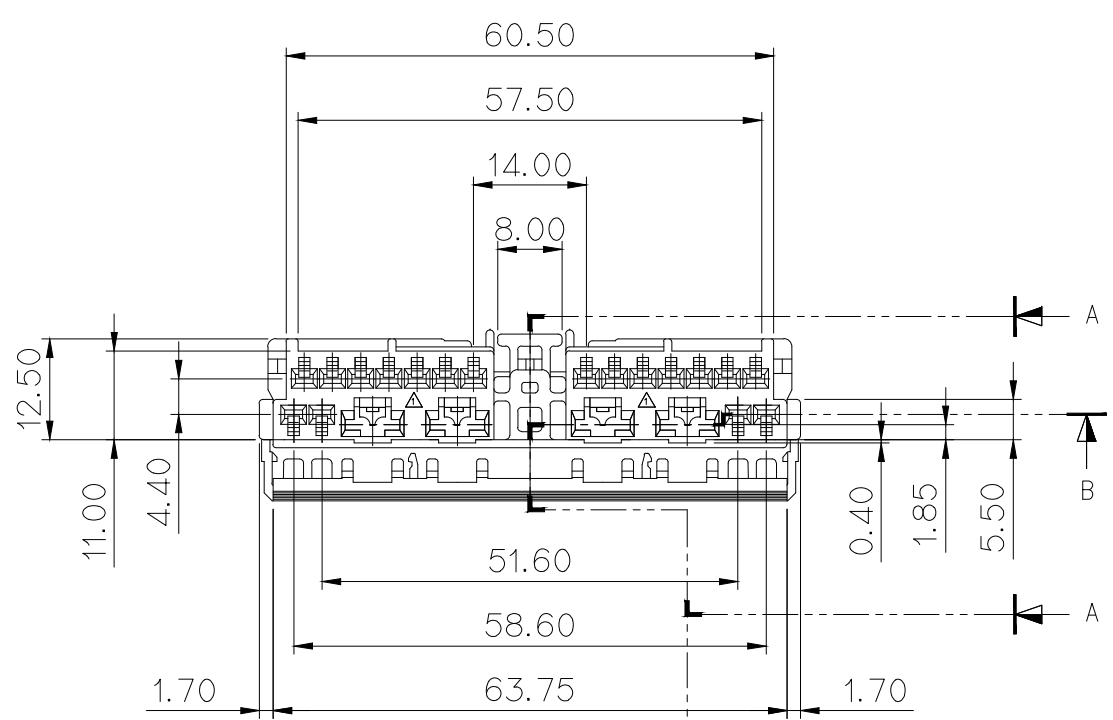
GENERAL TOLERANCE (HOUSING)					USED ON
10MAX	20MAX	45MAX	ANGLE	ECCENT	
±0.20	±0.25	±0.30	±30'	0.10	

△ NOTE

- MUST BE FREE OF FLASH, SINK AND IMPERFECTION THAT AFFECT FUNCTION.
- MATCHING HOUSING : MG621134, MG631135
- APPLICABLE TERMINAL(070) : ST730497, 730498, △731099, △731417
APPLICABLE TERMINAL(250) : ST730267, 730268, 730269
△ST731420, △731421
- 6 HAZARDOUS SUBSTANCES IN PARTS (LEAD, MERCURY, CADMIUM, HEXAVALENT CHROMIUM, PBBs, PBDEs) SHALL NOT EXCEED THE MAXIMUM PERMISSIBLE CONCENTRATION PRESCRIBED UNDER EU ELV DIRECTIVE & RoHS REGULATION.



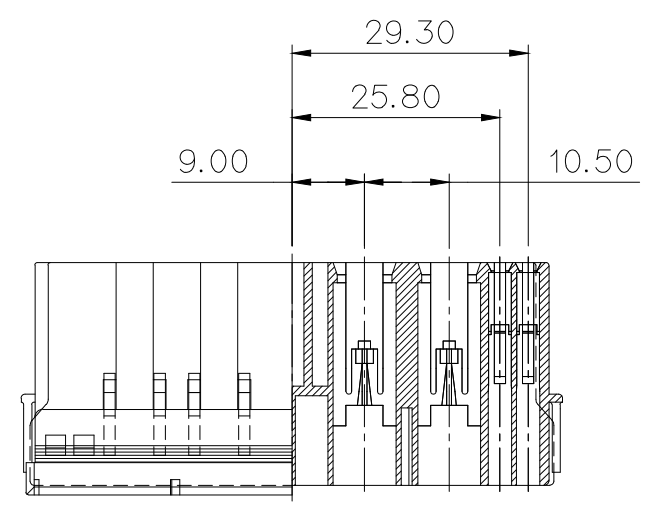
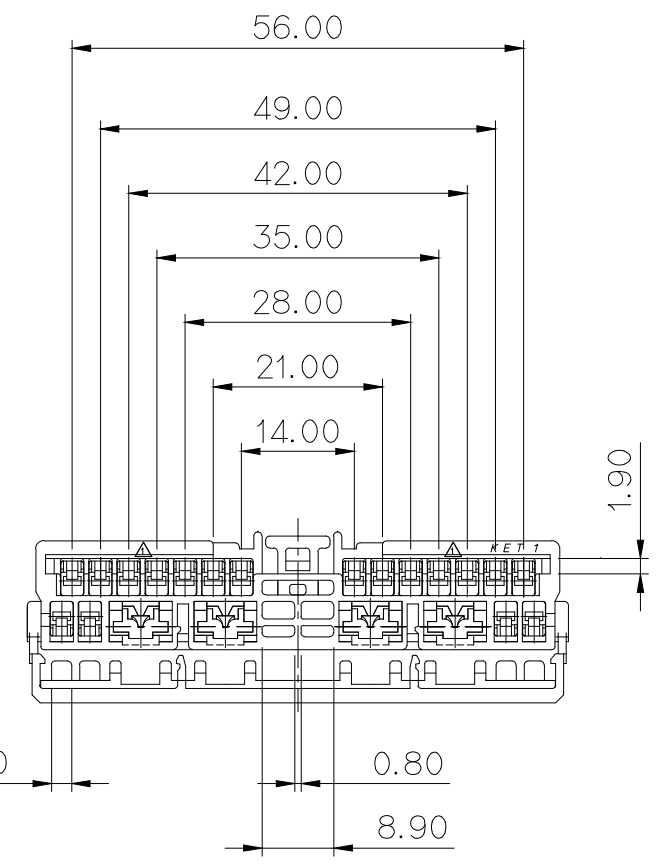
070 FEMALE CAVITY (S= 5/1)



SECTION A-A

주 기

- 기능상 유해한 변형등 BURR 없을것.
- 적용 HOUSING : MG621134, MG631135
- 적용 TERMINAL(070) : ST730497, 730498, △731099, △731417
적용 TERMINAL(250) : ST730267, 730268, 730269,
△ST731420, △731421
- 제품내 함유된 6대 유해물질 (납,수은,카드뮴,6가크롬, PBBs,PBDEs)은 EU ELV 지침 및 RoHS 법규에서 지정한 최대 허용 농도를 초과해서는 안된다.



△ SECTION B-B

NO.	MATERIAL	COLOR
* 0	PBT	NATURAL
1		RED
2		BLUE
20		JADE
3		YELLOW
4		GRAY
40		DARK GRAY
41		LIGHT GRAY
5		BLACK
6		DARK GREEN
7		BROWN
8	LIGHT GREEN	
9	MAGENTA	
11	ORANGE	

APPROVED
2020-12-09
KOREA ELECTRIC
TERMINAL CO., LTD.
Korea Electric Terminal Co., LTD.

ISSUE MARK

				MATERIAL △ SEE TABLE		KETA KOREA ELECTRIC ENGINEERED TERMINAL CO., LTD.
				FINISH △ SEE TABLE		
				WIRE RANGE —		CLASS —
				INSULATION —		TYPE —
△	ECO-2004-131 근거 도면 변경 070,250 터미널 품번 추가	SKM	HYJ	CJH	20.04.08	PART NO. MG611133
△	ECO-1508-175 근거 도면 변경 미표기 랑스형상 추가, 가이드 형상 변경	KJS	CKY	LSY	15.08.21	
LTR	REVISION RECORD	DR.	CHK.	APP.	DATE	TOLERANCE EXCEPT AS NOTED
DR.	JANG 98.09.07	CHK.	KKJ		9.8	SCALE 1/1
CHK.		APP.	JJH		9.8	PART NAME 2507 22P PLUG HOUSING