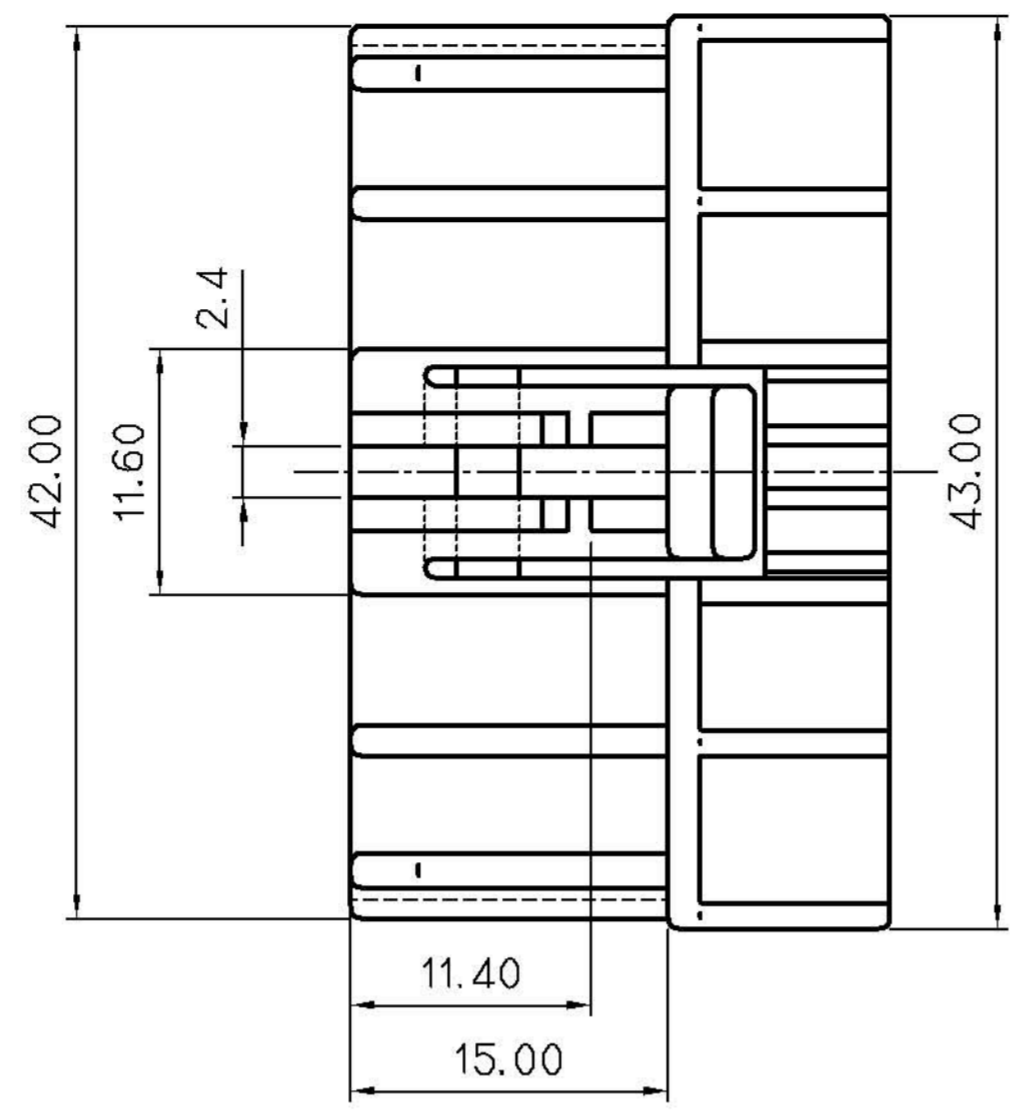
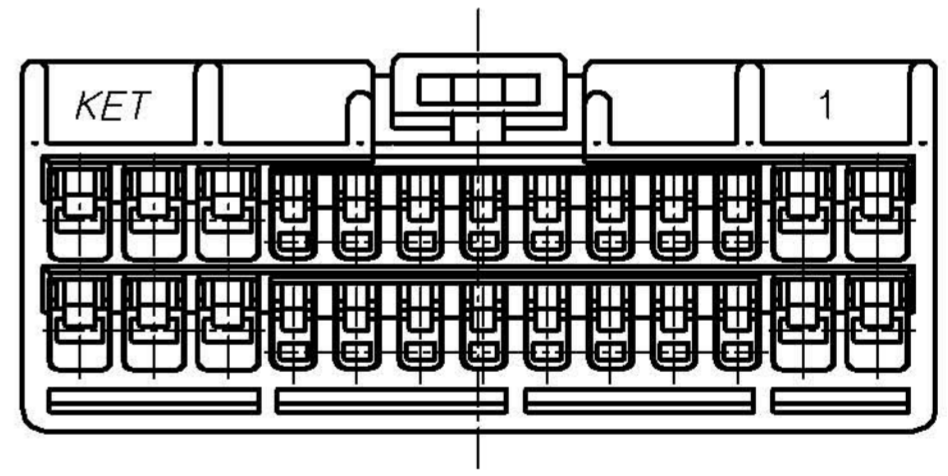
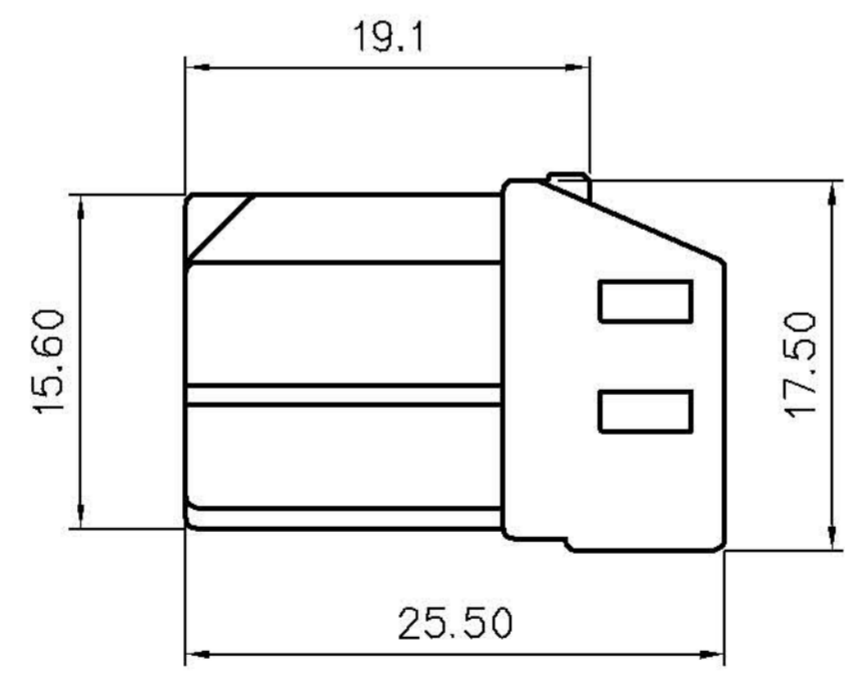
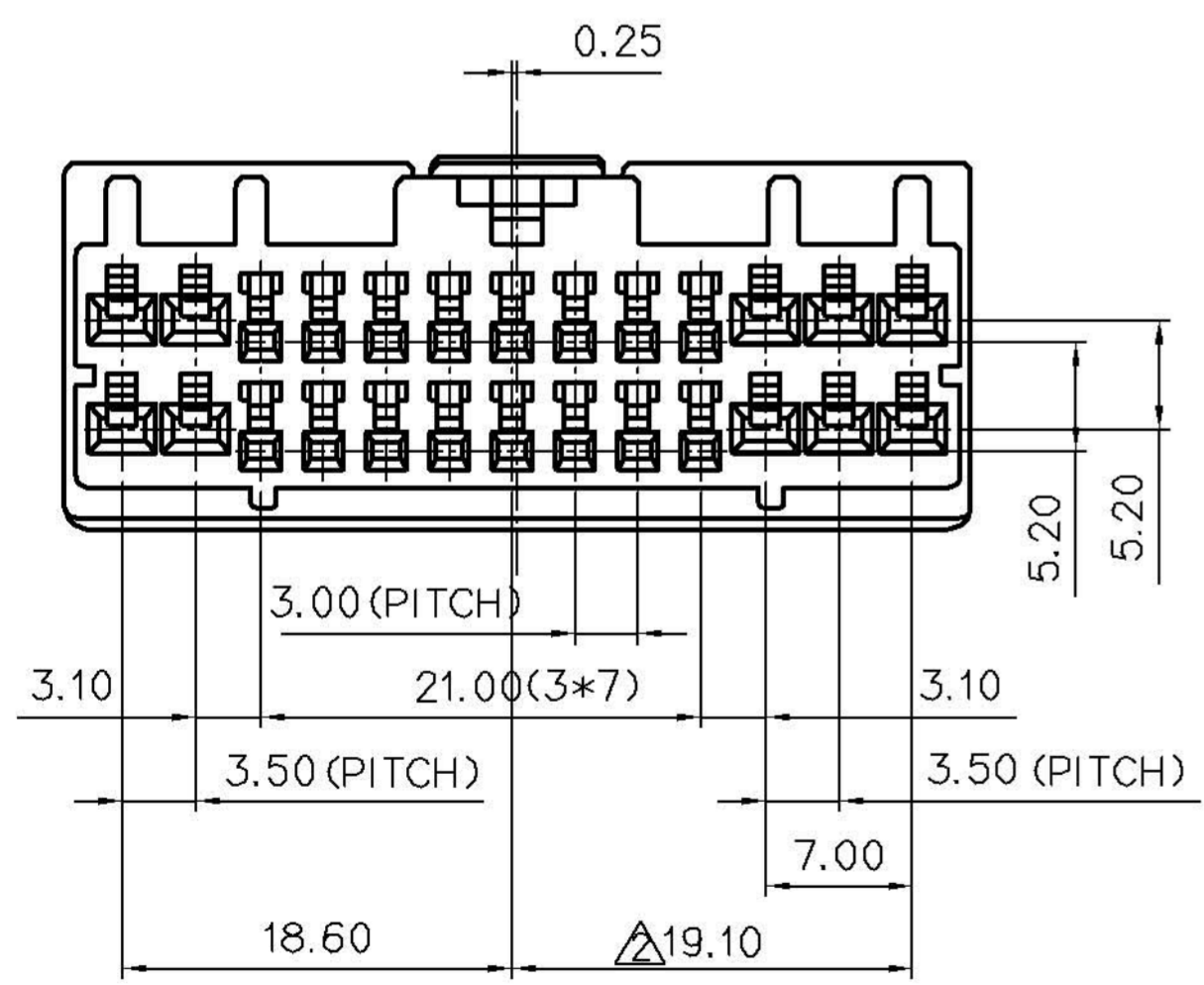


| GENERAL TOLERANCE (HOUSING) | | | | | | | USED ON |
|-----------------------------|-------|--------|--------|-------|-------|--------|---------|
| 10MAX | 50MAX | 100MAX | 250MAX | 250VR | ANGLE | ECCENT | |
| ±0.2 | ±0.3 | ±0.55 | ±0.95 | ±1.4 | ±30' | 0.1 | |



주 기

- 적용 TERMINAL: ST730671-3,-G, ST730497-3, ST730498-3
- 적용 REAR HOLDER: MG631337 (X2EA)



ISSUE MARK

| | | | | | | | | |
|------|-----------------|------------|------|---------|------|---|-------|--------------------|
| | | MATERIAL | | PBT | | KET KOREA ELECTRIC TERMINAL CO., LTD. | | |
| | | FINISH | | NATURAL | | | | |
| | | WIRE RANGE | | | | CLASS | | |
| | | INSULATION | | | | TYPE | | |
| LTR | REVISION RECORD | DR. | CHK. | APP. | DATE | TOLERANCE EXCEPT AS NOTED | SCALE | PART NO. |
| | HEE. '97.09.25 | CHK. | | | 9/30 | ±0.20 | 2/1 | MG611336 |
| CHK. | S.I. SMCF 9/30 | APP. | | | 9/30 | PART NAME | | 0407 26P PLUG HS'G |