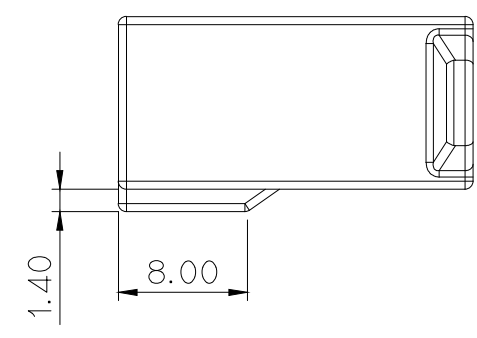
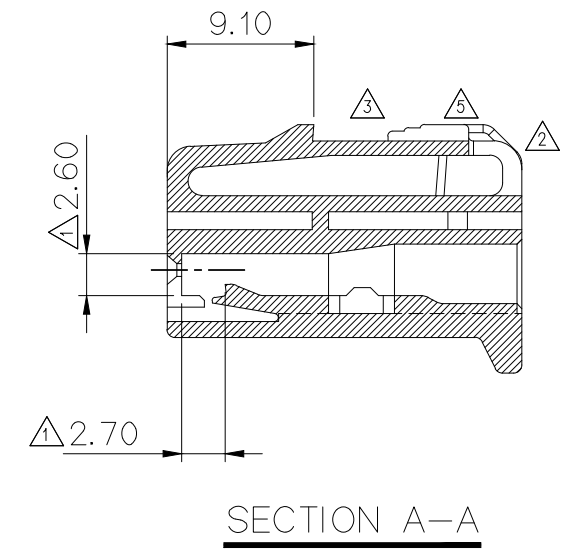
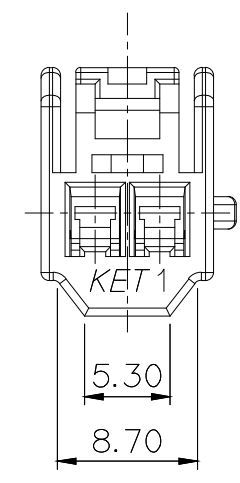
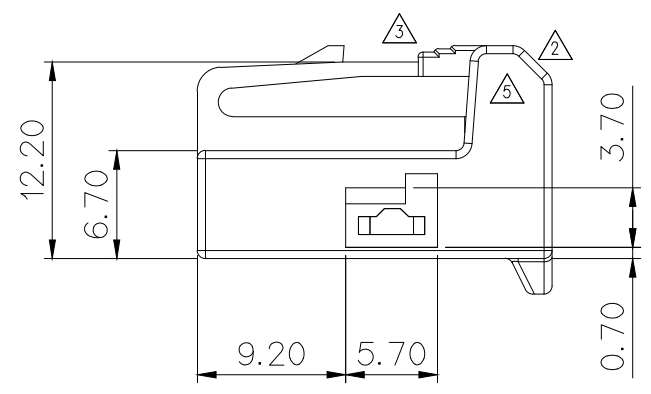
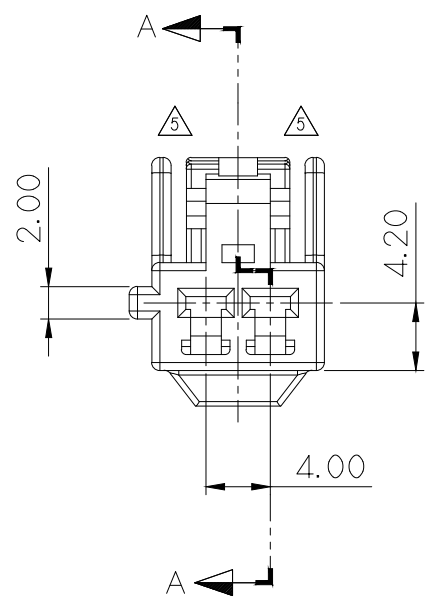
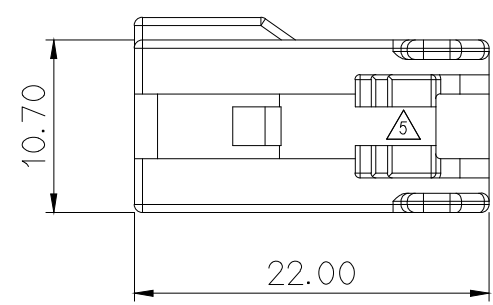


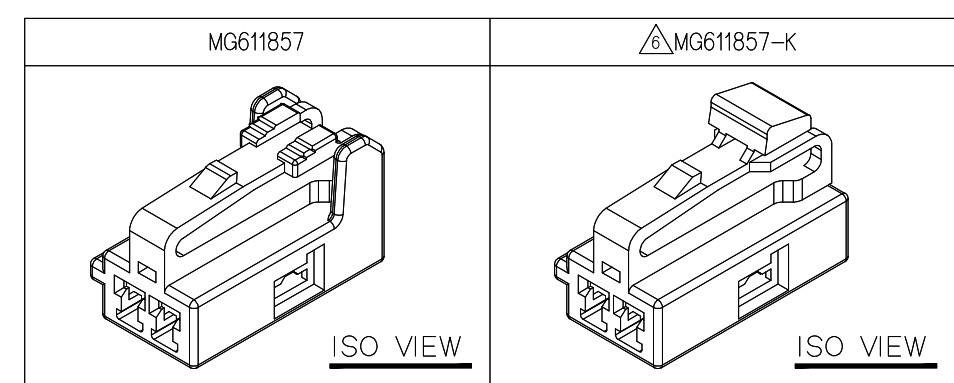
GENERAL TOLERANCE (HOUSING)							USED ON
10MAX	50MAX	100MAX	250MAX	250VR	ANGLE	ECCENT	
±0.2	±0.3	±0.55	±0.95	±1.4	±30'	0.1	

NOTE

- MUST BE FREE OF BURR, WELDLINE AND IMPERFECTION THAT AFFECT FUNCTION.
- APPLICABLE TERMINAL : ST730775-3, ST730776-3, ST730777-3
 △ FOR ALUMINIUM WIRING : ST731405-3
 APPLICABLE HOUSING : MG641029, MG621858
 APPLICABLE SPACER : MG631859
- 3.6 HAZARDOUS SUBSTANCES IN PARTS (LEAD, MERCURY, CADMIUM, HEXAVALENT CHROMIUM, PBBs, PBDEs) SHALL NOT EXCEED THE MAXIMUM PERMISSIBLE CONCENTRATION PRESCRIBED UNDER EU ELV DIRECTIVE & RoHS REGULATION.



NO.	MATERIAL	COLOR
* 0	P B T	NATURAL
1		RED
2		BLUE
20		JADE
3		YELLOW
4		GRAY
40		DARK GRAY
41		LIGHT GRAY
5		BLACK
* 6		GREEN
7		BROWN
8	LIGHT GREEN	
9	MAGENTA	
11	ORANGE	



주 기

- 기능상 유해한 BURR 및 WELDLINE 등이 없을것.
- 적용 TERMINAL: ST730775-3, ST730776-3, ST730777-3
 △ 알루미늄 전선용 : ST731405-3
 적용 HOUSING: MG641029, MG621858
 적용 SPACER: MG631859
- 제품내 함유된 6대 유해물질 (납, 수은, 카드뮴, 6가크롬, PBBs, PBDEs)은 EU ELV 지침 및 RoHS 법규에서 지정한 최대 허용 농도를 초과해서는 안된다.

APPROVED
 2020-12-10
 KOREA ELECTRIC
 TERMINAL CO., LTD.
 Korea Electric Terminal Co., LTD.

ISSUE MARK

ECO-1609-304	거거 도면 재작성	KCS	LSY	'16.09.29	MATERIAL	SEE TABLE	KOREA ELECTRIC TERMINAL CO., LTD.
ECO-1505-054	거거 도면 재작성	KCS	HYJ	'15.05.08	FINISH	SEE TABLE	
설계사양변경(S080136)	거거 도면 재작성 (HSG LEVER 부 목 살보강)	KMH	KKJ	'08.06.12	WIRE RANGE	CLASS	.ASC
HINGE 파손 방지 형상변경		元	KKJ	'02.12.16	INSULATION	TYPE	
시방변경서(010165)의거 도면 변경		LSY	KKJ	'01.09.18	TOLERANCE EXCEPT AS NOTED	SCALE	2/1
LTR	REVISION RECORD	DR.	CHK.	APP.	DATE	PART NO.	MG611857
DR.	WON. 00.08.21	CHK.	KKJ	8/22	PART NAME	△ ASC 2F HOUSING	
CHK.		APP.	S.I. [Signature]	8/22			