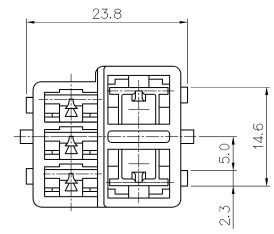
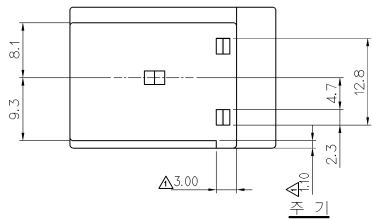
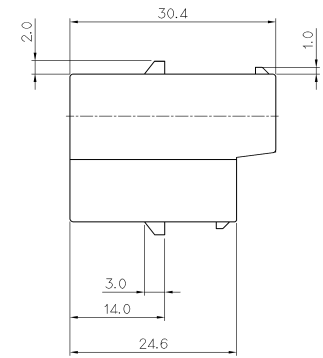
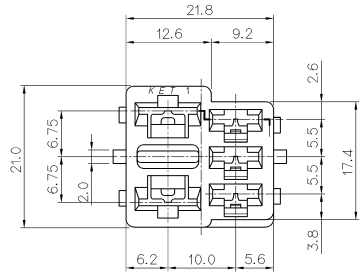


GENERAL TOLERANCE (HOUSING)					USED ON
10MAX ±0.2	20MAX ±0.25	45MAX ±0.3	ANGLE ±30'	ECCENT 0.1	



NO.	MATERIAL	COLOR
0		NATURAL
1	NYLON 66	RED
2		BLUE
3		YELLOW
4		GRAY
5		BLACK
6		W/GREEN
7		BROWN
8		GREEN

1.지시하지 않은 반경 R은 0.5로 한다
 2.기능상 유해한 BURR 및 WELDLINE등이 없으섯.
 3.적용 R/HOLDER : MG632110
 TERMINAL : .312 (ST730852)
 : .250 D/L (ST730467,468,469)



ISSUE MARK

		MATERIAL SEE TABLE		KOREA ELECTRIC	
		FINISH SEE TABLE		TERMINAL CO., LTD.	
		WIRE RANGE		CLASS	
		INSULATION		TYPE .3125	
△ 시제품용(05050127)은과 도막 재작용 (실 사용 보임)		DR	CHK	APP	DATE '05.06.03
LTR REVISION RECORD		DR		SCALE 2/1	
DR. HEO '99. 12. 13		CHK		PART NO. MG612109	
CHK.		APP. <i>CHOOH</i>		PART NAME BLOWER RELAY 5P HS'G	