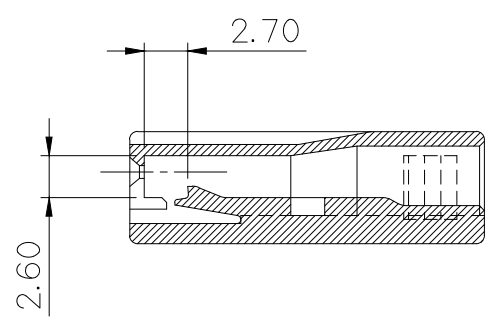
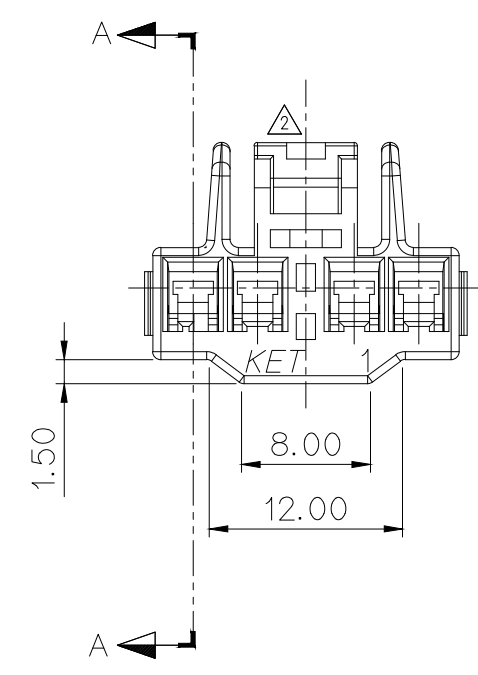
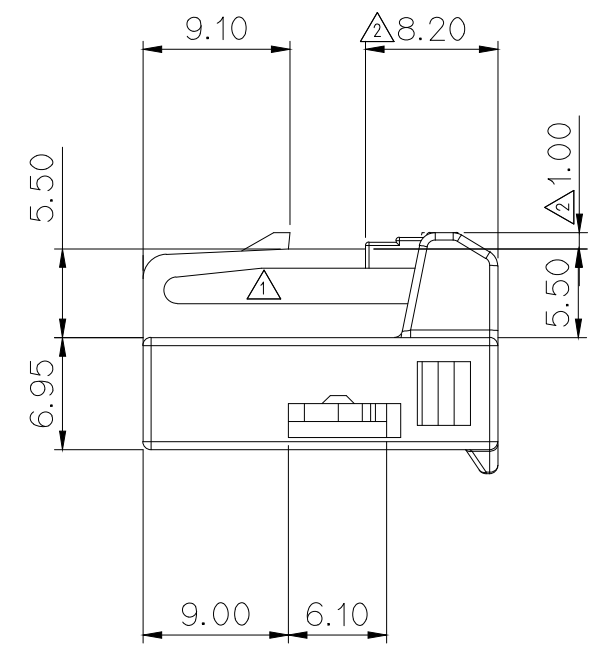
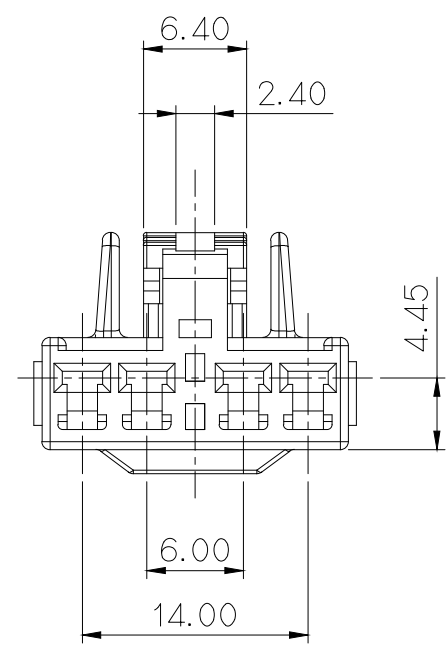
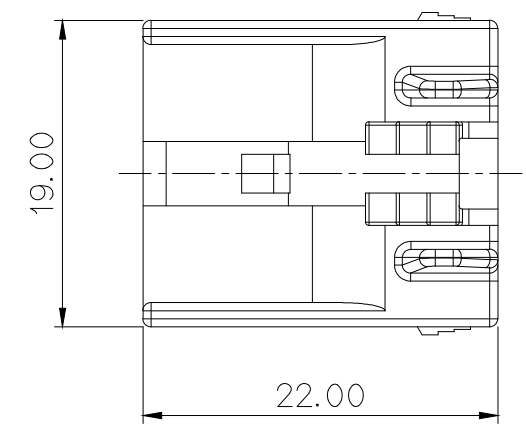
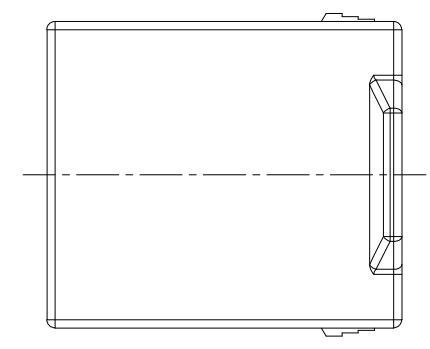


GENERAL TOLERANCE (HOUSING)					USED ON
10MAX	20MAX	45MAX	ANGLE	ECCENT	
±0.2	±0.25	±0.3	±30'	0.1	



SECTION A-A



주 기

- 기능상 유해한 BURR 및 WELDLINE 등이 없을 것.
- 적용 TERMINAL : ST730775-3, ST730776-3, ST730777-3
적용 HOUSING : MG622226, MG641041
적용 SPACER : MG632227
- 제품내 함유된 6대 유해물질 (납, 수은, 카드뮴, 6가크롬, PBBs, PBDEs)은 ELV 지침 및 RoHS 법규에서 지정한 최대 허용 농도를 초과해서는 안된다.

NOTE

- MUST BE FREE OF BURR, WELDLINE AND IMPERFECTION THAT AFFECT FUNCTION.
- APPLICABLE TERMINAL : ST730775-3, ST730776-3, ST730777-3
- 6 HAZARDOUS SUBSTANCES IN PARTS(LEAD, MERCURY, CADMIUM, PPBs, PPDEs) SHALL NOT EXCEED THE MAXIMUM PERMISSIBLE CONCENTRATION PRESCRIBED UNDER EU ELV DIRECTIVE&RoHS REGULATION.

NO.	METERIAL	COLOR
* 0	P B T	NATURAL
1		RED
2		BLUE
* 3		YELLOW
40		DARK GRAY
41		LIGHT GRAY
* 5		BLACK
6		DARK GREEN
7		BROWN
8		LIGHT GREEN
9		MAGENTA
11	ORANGE	

APPROVED

2020-12-11

**KOREA ELECTRIC
TERMINAL CO., LTD.**
Korea Electric Terminal Co., LTD.

ISSUE MARK

						MATERIAL SEE TABLE		KET KOREA ELECTRIC ENGINEERED TERMINAL CO., LTD.
						FINISH SEE TABLE		
3	ECO-2006-211 근거 도면 제작성	SDI	KSC	-	CJH	'20.06.17	WIRE RANGE	CLASS .090
2	ECO-1611-092 근거 도면 제작성	KCS	KMH	-	LSY	'16.11.04	INSULATION	TYPE
1	ECO-1404-017 근거 도면 제작성	KJH	CSH	CWK	HJB	'14.04.01	TOLERANCE EXCEPT AS NOTED SEE TABLE	SCALE 2/1
LTR	REVISION RECORD	DR.	CHK.	CHK.	APP.	DATE	PART NO.	MG612225
DR.	WON. 2000.6.14	CHK.				6.15	PART NAME	ASC 4F HOUSING
CHK.		APP.				6.15		