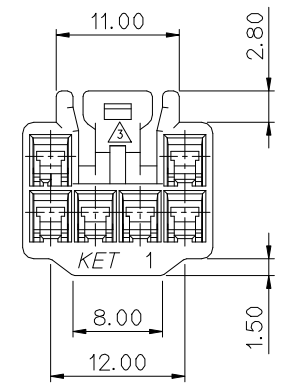
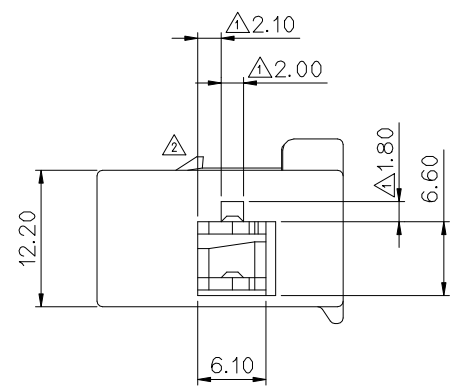
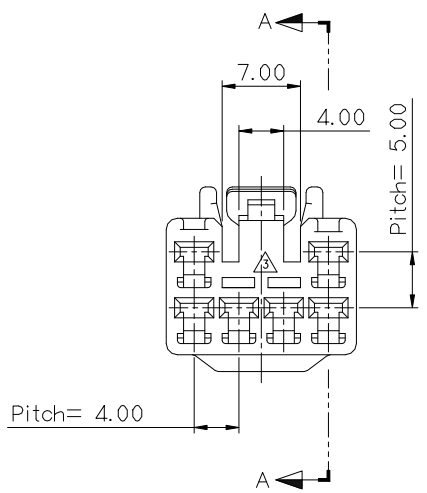
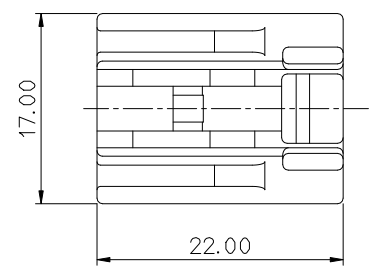
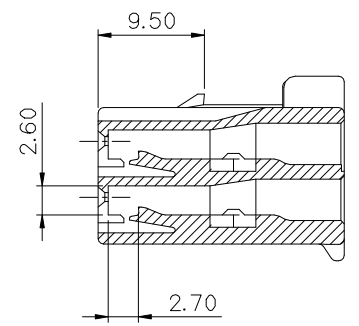


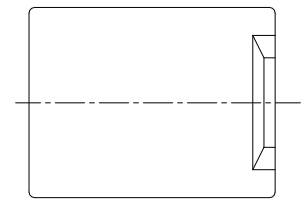
GENERAL TOLERANCE (HOUSING)							USED ON
10MAX	50MAX	100MAX	250MAX	250VR	ANGLE	ECCENT	
±0.2	±0.3	±0.55	±0.95	±1.4	±30'	0.1	



NO.	METERIAL	COLOR
* 0	P B T	NATURAL
1		RED
* 2		BLUE
3		YELLOW
4		GRAY
5		BLACK
6		W/GREEN
7		BROWN
8	GREEN	



SECTION A-A



NOTE

- MUST BE FREE OF BURR, WEIDLIN AND IMPERFECTION THAT AFFECT FUNCTION.
- APPLICABLE TERMINAL : ST730775, 776, 777
APPLICABLE HOUSING : MG622229, 641047, 642449
APPLICABLE SPACER : MG632230
- 6 HAZARDOUS SUBSTANCES IN PARTS (LEAD, MERCURY, CADMIUM, HEXAVALENT CHROMIUM, PBBs, PBDEs) SHALL NOT EXCEED THE MAXIMUM PERMISSIBLE CONCENTRATION PRESCRIBED UNDER EU ELV DIRECTIVE & RoHS REGULATION.

ISSUE MARK

- ~S. ~!_J
- ~!_J^!^3|P^*!15 ~R_2~F_~^3^k1\$ BURR ^"5|7 WELDLINE^J^3|P~,~_5 ^,%12^R^3|C^!^%|B.
 - ^-!^!^R^!-|P TERMINAL : ST730775, 776, 777
^-!^!^R^!-|P HOUSING : MG622229, 641047, 642449
^-!^!^R^!-|P SPACER : MG632230
 - 제품내 함유된 6대 유해물질 (납, 수은, 카드뮴, 6가크롬, BBs, PBDEs)은 EU ELV 지침 및 RoHS 법규에서 지정한 초과 허용 농도를 초과해서는 안된다.

MATERIAL		PBT		KET KOREA ELECTRIC TERMINAL CO., LTD.	
FINISH		NATURAL			
WIRE RANGE		CLASS		090	
INSULATION		TYPE			
LTR	REVISION RECORD	DR.	CHK.	APP.	DATE
DR.	LSY 2002.3.16	CHK.			4/15
CHK.		APP.	CHOM.		4/24
TOLERANCE EXCEPT AS NOTED		SCALE		PART NO.	
SEE TABLE		2/1		MG612228	
PART NAME				ASC 06F HOUSING	