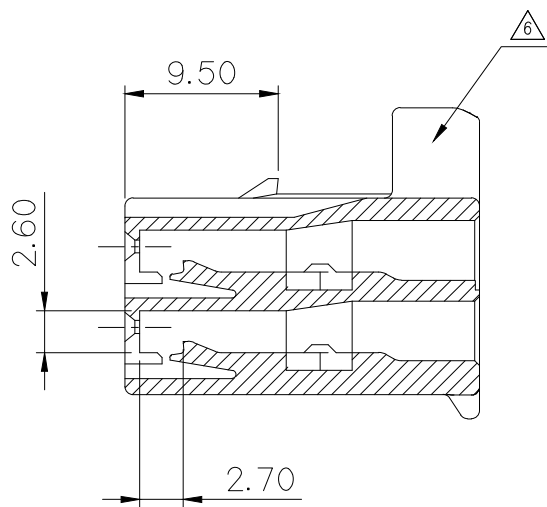
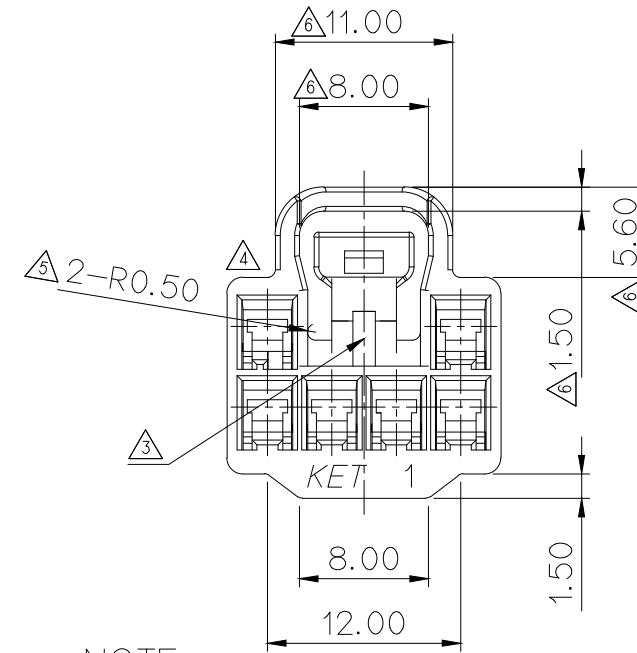
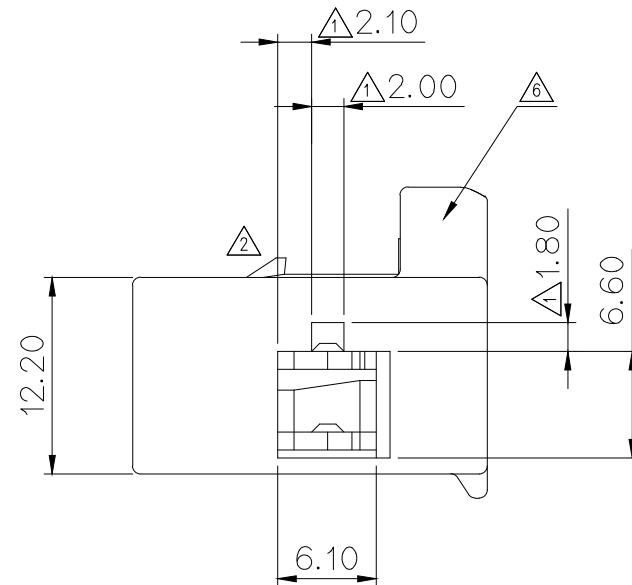
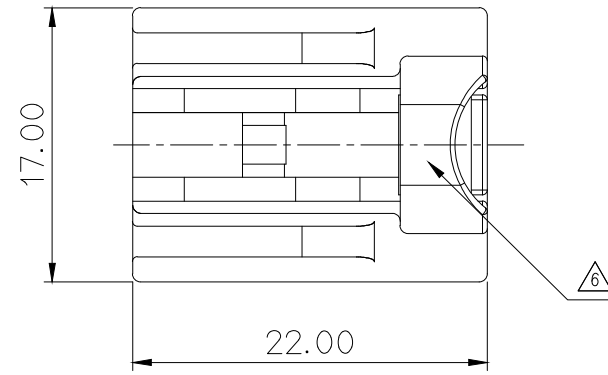
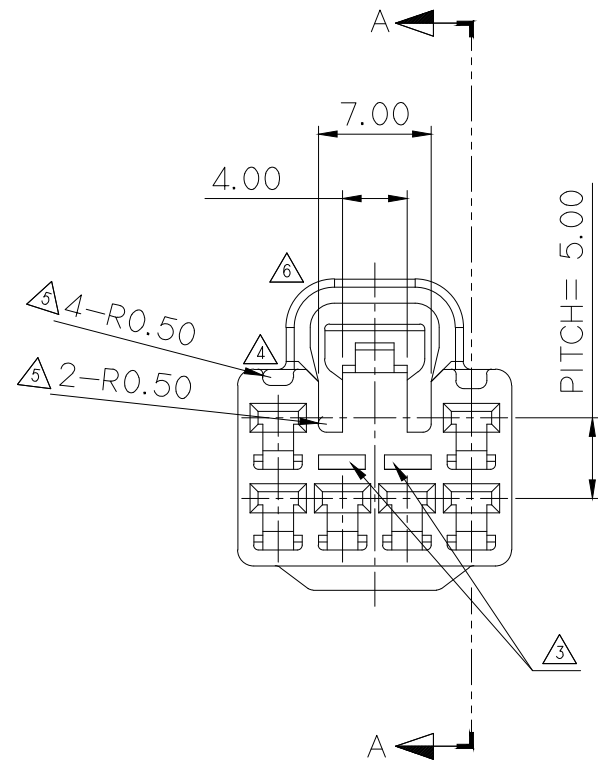


GENERAL TOLERANCE (HOUSING)							USED ON
10MAX	50MAX	100MAX	250MAX	250VR	ANGLE	ECCENT	
±0.2	±0.3	±0.55	±0.95	±1.4	±30'	0.1	



SECTION A-A

**주 기**

- 기능상 유해한 BURR 및 WELDLINE 등이 없을것.
- 적용 TERMINAL : ST730775, 776, 777  
적용 HOUSING : MG622229, 641047, 642449  
적용 SPACER : MG632230
- 제품내 함유된 6대 유해물질 (납, 수은, 카드뮴, 6가크롬, BBs, PBDEs)은 EU ELV 지침 및 RoHS 법규에서 지정한 초과 허용 농도를 초과해서는 안된다.

**NOTE**

- MUST BE FREE OF BURR, WEIDLIN AND IMPERFECTION THAT AFFECT FUNCTION.
- APPLICABLE TERMINAL : ST730775, 776, 777  
APPLICABLE HOUSING : MG622229, 641047, 642449  
APPLICABLE SPACER : MG632230
- 6 HAZARDOUS SUBSTANCES IN PARTS (LEAD, MERCURY, CADMIUM, HEXAVALENT CHROMIUM, PBBs, PBDEs) SHALL NOT EXCEED THE MAXIMUM PERMISSIBLE CONCENTRATION PRESCRIBED UNDER EU ELV DIRECTIVE & RoHS REGULATION.

NO.	MATERIAL	COLOR
* 0	P B T: HV-1005S	NATURAL
* 1		RED
* 2		BLUE
* 3		YELLOW
* 40		DARK GRAY
41		LIGHT GRAY
* 5		BLACK
* 6		DARK GREEN
* 7		BROWN
8		LIGHT GREEN
9		MAGENTA
11	ORANGE	

**APPROVED**

2018-12-07

KOREA ELECTRIC  
TERMINAL CO., LTD.  
Korea Electric Te  
rminal Co., LTD.

ISSUE MARK

ECO-1805-013	큰거 도면 제작성	LND	KSC	CJH	'18.05.04
ECO-1502-460	큰거 도면 제작성	CHW	HYJ	LSY	'15.02.27
ECO-1402-011	큰거 도면 제작성	SYC	CSH	CWK	'14.02.03
ECO-1305-154	큰거 도면 제작성	YM.K	CSH	HSH	'13.05.28
실계사양변경(S070181)	큰거 도면 제작성	KBS			'07.08.20
SPACER	오조립 방지	元			'02.05.29
LTR	REVISION RECORD	DR.	CHK.	APP.	DATE
DR.	LSY 2002.3.16	CHK.			4/15
CHK.		APP.			4/24

MATERIAL	PBT	KOREA ELECTRIC TERMINAL CO., LTD.
FINISH	NATURAL	
WIRE RANGE		CLASS 090
INSULATION		TYPE
SCALE	2/1	PART NO. MG612228
TOLERANCE EXCEPT AS NOTED	SEE TABLE	PART NAME ASC 06F HOUSING