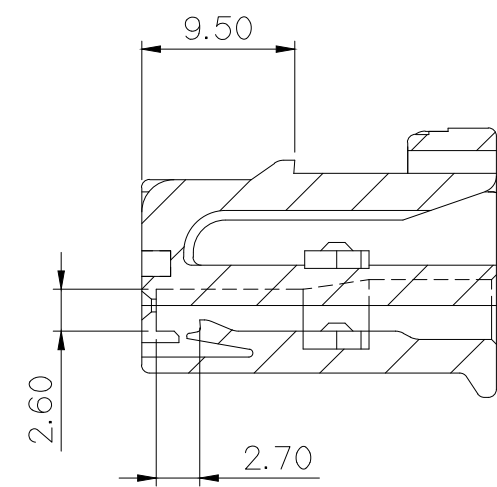
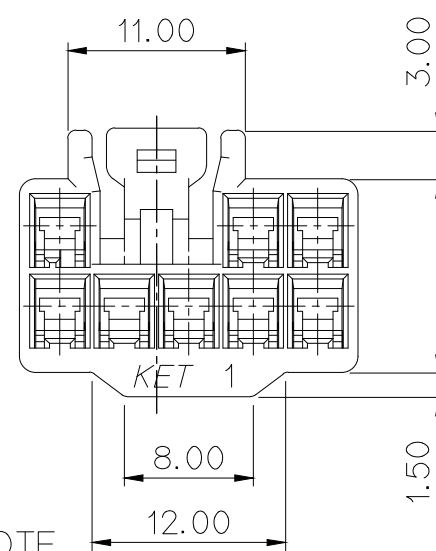
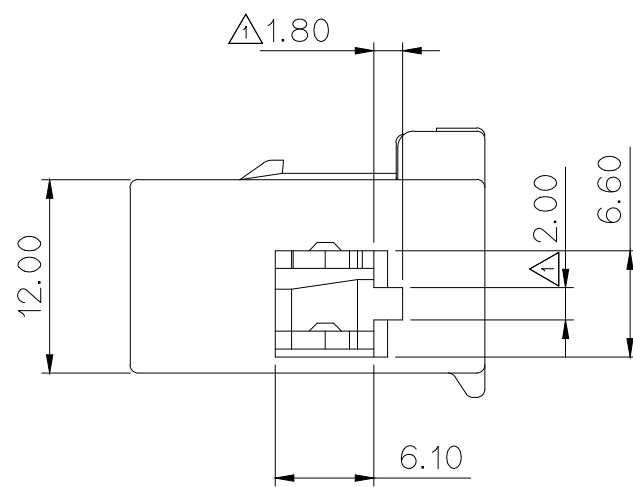
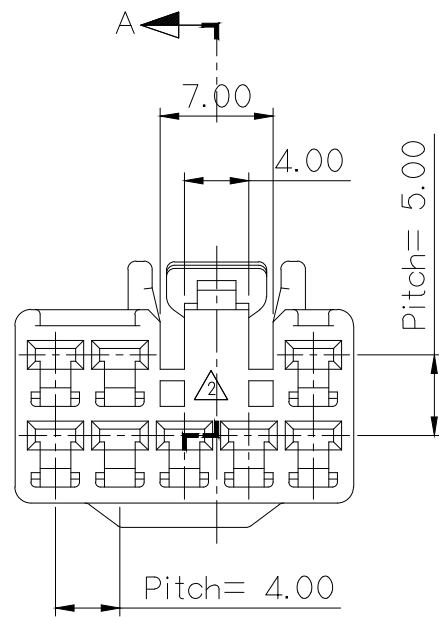
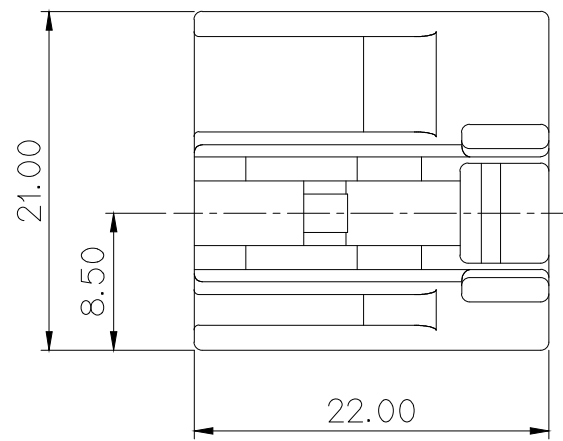


GENERAL TOLERANCE (HOUSING)					USED ON
10MAX	20MAX	45MAX	ANGLE	ECCENT	
±0.2	±0.25	±0.3	±30'	0.1	

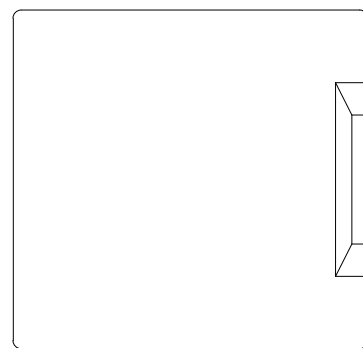


NOTE

- MUST BE FREE OF BURR, WEIDLINE AND IMPERFECTION THAT AFFECT FUNCTION.
- APPLICABLE TERMINAL: ST730775, 776, 777
APPLICABLE HOUSING: MG622232, MG641053
APPLICABLE SPACER: MG632233
- 6 HAZARDOUS SUBSTANCES IN PARTS (LEAD, MERCURY, CADMIUM, HEXAVALENT CHROMIUM, PBBs, PBDEs) SHALL NOT EXCEED THE MAXIMUM PERMISSIBLE CONCENTRATION PRESCRIBED UNDER EU ELV DIRECTIVE & RoHS REGULATION.

SECTION A-A

NO.	MATERIAL	COLOR
* 0	P B T:	NATURAL
* 1		RED
* 2	HV1005S	BLUE
20		JADE
3		YELLOW
4		GRAY
40		DARK GRAY
41		LIGHT GRAY
* 5		BLACK
6		DARK GREEN
7		BROWN
8		LIGHT GREEN
9		MAGENTA
11	ORANGE	



APPROVED

2020-12-09

KOREA ELECTRIC
TERMINAL CO., LTD.
Product Development Team 1

ISSUE MARK

KET KOREA ELECTRIC
ENGINEERED TERMINAL CO., LTD.

		MATERIAL	SEE TABLE		
		FINISH	SEE TABLE		
		WIRE RANGE		CLASS	.090
		INSULATION		TYPE	
2	실계사양변경(S080078)근거 재작성	KHS		08.03.31	
1	SPACER 오조립 방지	LSY		02.05.29	
LTR	REVISION RECORD	DR.	CHK.	APP.	DATE
	WON. 2001.8.22				8/23
CHK.		APP.			8/23
		TOLERANCE EXCEPT AS NOTED	SEE TABLE	SCALE	2/1
		PART NAME	ASC 08F HOUSING		
		PART NO.	MG612231		