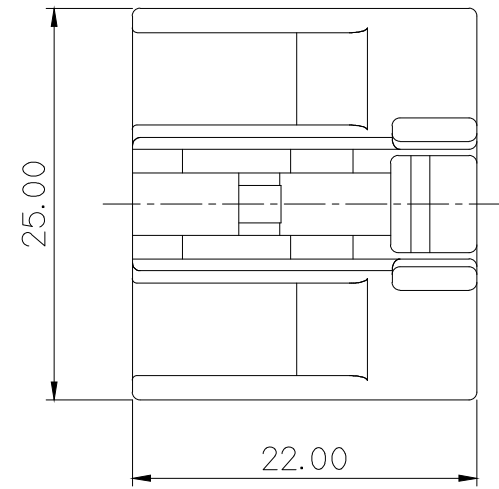
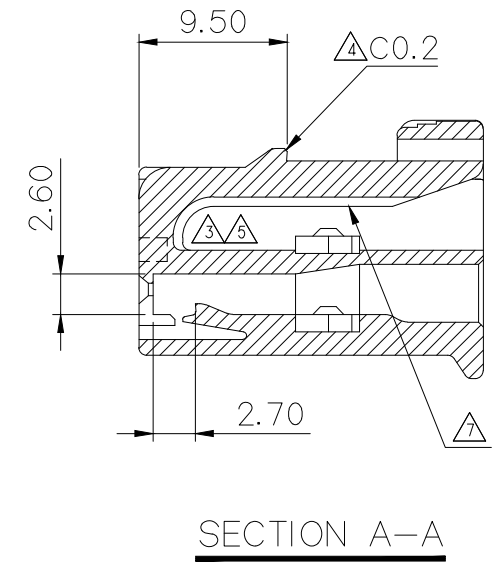
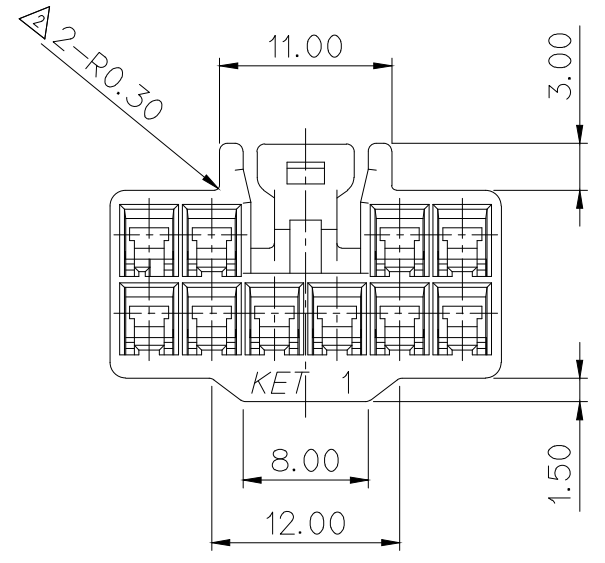
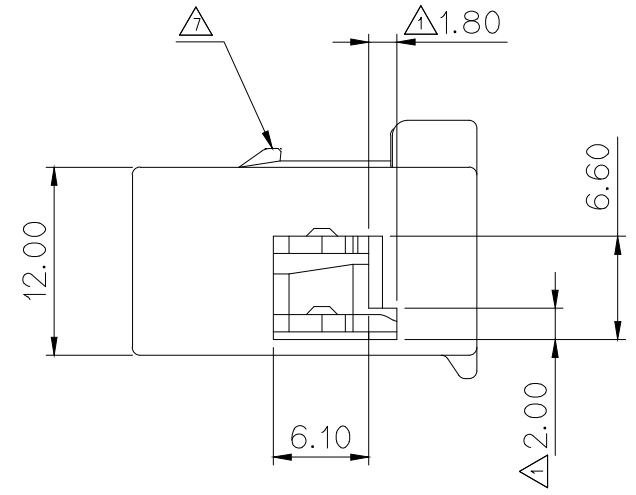
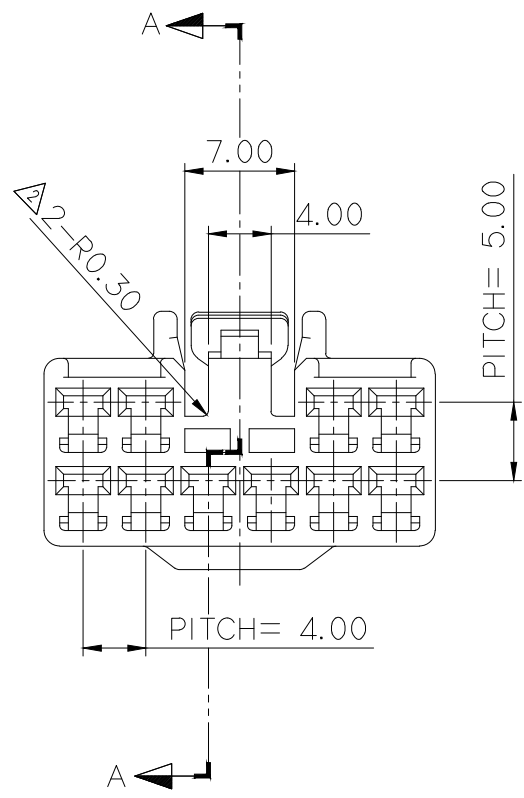


GENERAL TOLERANCE (HOUSING)							USED ON
10MAX	50MAX	100MAX	250MAX	250VR	ANGLE	ECCENT	
±0.2	±0.3	±0.55	±0.95	±1.4	±30'	0.1	



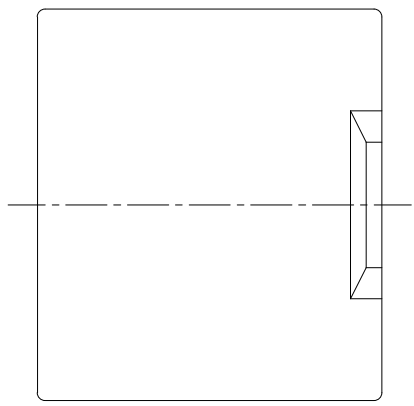
**NOTE**

- MUST BE FREE OF BURR, WEIDLIN AND IMPERFECTION THAT AFFECT FUNCTION.
- APPLICABLE TERMINAL: ST730775, 730776, 730777, 731102, △731158  
APPLICABLE HOUSING: MG622235, MG641059  
APPLICABLE SPACER: MG632236
- △ 3. 6 HAZARDOUS SUBSTANCES IN PARTS (LEAD, MERCURY, CADMIUM, HEXAVALENT CHROMIUM, PBBs, PBDEs) SHALL NOT EXCEED THE MAXIMUM PERMISSIBLE CONCENTRATION PRESCRIBED UNDER EU ELV DIRECTIVE & RoHS REGULATION.



**주 기**

- 기능상 유해한 BURR 및 WELDLINE 등이 없을 것.
- 적용 TERMINAL: ST730775, 730776, 730777, 731102, △731158  
적용 HOUSING: MG622235, MG641059  
적용 SPACER: MG632236
- △ 3. 제품내 함유된 6대 유해물질 (납, 수은, 카드뮴, 6가크롬, PBBs, PBDEs)은 EU ELV 지침 및 RoHS 법규에서 지정한 최대 허용 농도를 초과해서는 안 된다.



NO.	MATERIAL	COLOR
* 0	P B T	NATURAL
1		RED
2		BLUE
20		JADE
3		YELLOW
4		GRAY
40		DARK GRAY
41		LIGHT GRAY
* 5		BLACK
6		DARK GREEN
7		BROWN
8	LIGHT GREEN	
9	MAGENTA	
11	ORANGE	

△	ECO-2009-366	SKM	HYJ	CJH	2020.09.25
△	ECO-1906-166	HYJ	-	CJH	2019.06.14
LTR	REVISION RECORD	DR.	CHK.	APP.	DATE

△	ECO-1404-018	큰거 도면 재작성	KJH	CSH	CWK	2014.04.01
△	ECO-1308-098	큰거 도면 재작성	KJH	CSH	CWK	2013.08.21
△	ECO-1212-028	에 큰거 도면 재작성	YM.K	CSH	HSH	2012.12.05
△	실계사양변경(S100182)	큰거 도면 재작성	LHS	CWK	KKJ	2010.07.30
△	SPACER	오조립 방지	SWS	KKJ	JJH	2002.5.29
LTR	REVISION RECORD	DR.	CHK.	APP.	DATE	TOLERANCE EXCEPT AS NOTED
DR.	WON.	2001.8.22	CHK.	KKJ	8/23	SEE TABLE
CHK.			APP.	S.I.JANG	8/23	SCALE 2/1

MATERIAL	SEE TABLE		KOREA ELECTRIC TERMINAL CO., LTD.
FINISH	SEE TABLE		
WIRE RANGE		CLASS	.090
INSULATION		TYPE	
PART NAME	ASC 10F HOUSING		

**APPROVED**

**2020-12-11**

KOREA ELECTRIC  
TERMINAL CO., LTD.  
Korea Electric Te  
rminal Co., LTD.

ISSUE MARK