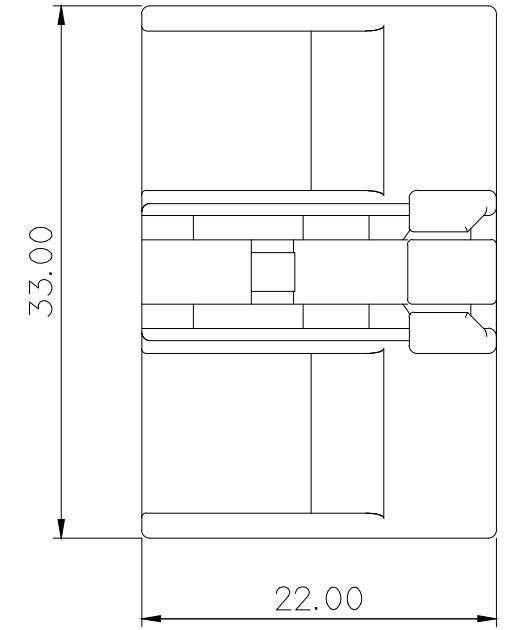


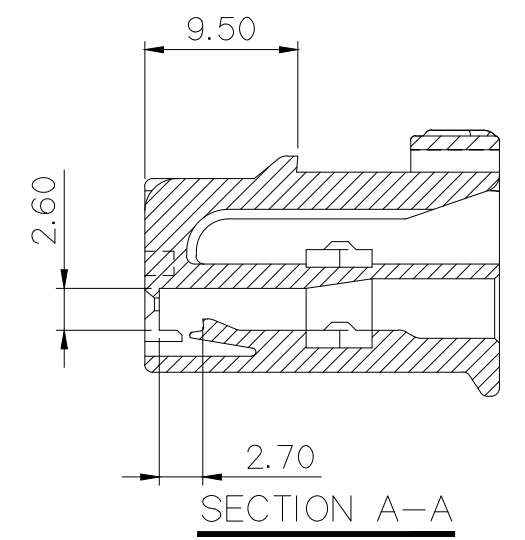
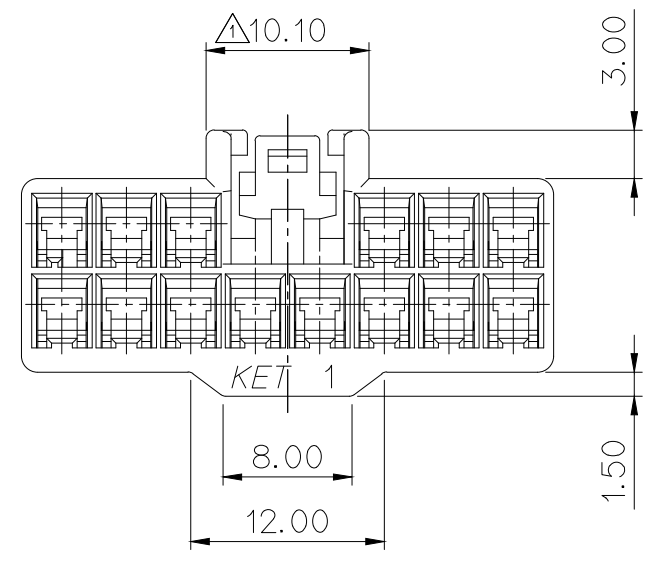
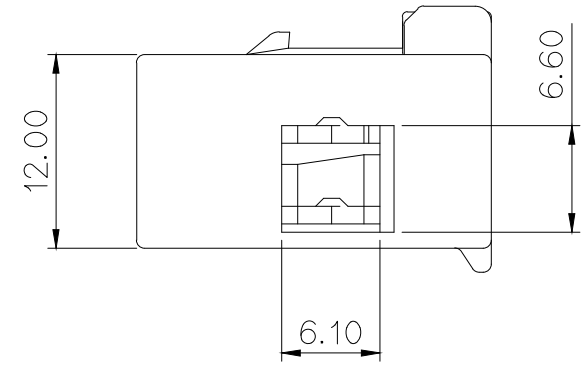
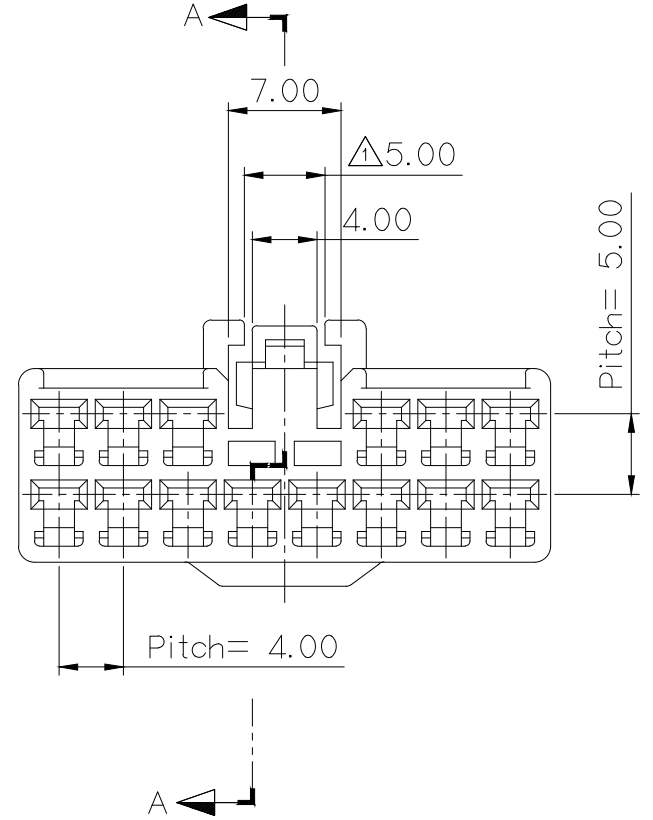
GENERAL TOLERANCE (HOUSING)					USED ON
10MAX	20MAX	45MAX	ANGLE	ECCENT	
±0.2	±0.25	±0.3	±30'	0.1	

NO.	METERIAL	COLOR	
△*	P B T	NATURAL	
1		RED	
2		BLUE	
3		YELLOW	
△*		4	GRAY
40		DARK GRAY	
41		LIGHT GRAY	
△*		5	BLACK
△*		6	DARK GREEN
7		BROWN	
8		LIGHT GREEN	
9	MAGENTA		
11	ORANGE		



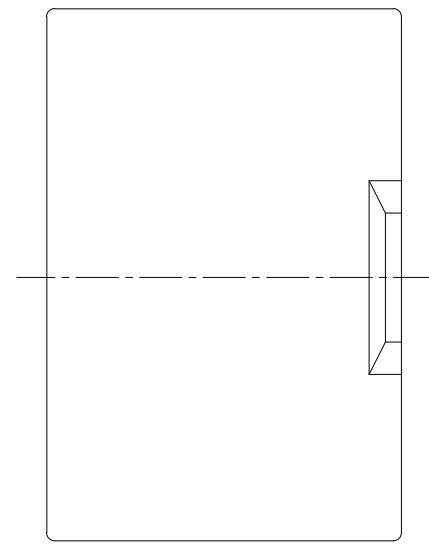
NOTE

- MUST BE FREE OF BURR, WEIDLINE AND IMPERFECTION THAT AFFECT FUNCTION.
- APPLICABLE TERMINAL : ST730775, ST730776, ST730777
APPLICABLE HOUSING : MG622241, MG641113
APPLICABLE SPACER : MG632242
- △ 3. 6 HAZARDOUS SUBSTANCES IN PARTS (LEAD, MERCURY, CADMIUM, HEXAVALENT CHROMIUM, PBBs, PBDEs) SHALL NOT EXCEED THE MAXIMUM PERMISSIBLE CONCENTRATION PRESCRIBED UNDER EU ELV DIRECTIVE & RoHS REGULATION.



주 기

- 기능상 유해한 BURR 및 WELDLINE 등이 없을 것.
- 적용 TERMINAL : ST730775, ST730776, ST730777
적용 HOUSING : MG622241, MG641113
적용 SPACER : MG632242
- 제품내 함유된 6대 유해물질 (납, 수은, 카드뮴, 6가크롬, PBBs, PBDEs)은 EU ELV 지침 및 RoHS 법규에서 지정한 최대 허용 농도를 초과해서는 안된다.



APPROVED
2017-08-10
KOREA ELECTRIC
TERMINAL CO., LTD.
Korea Electric Te
rminal Co., LTD.

ISSUE MARK

						MATERIAL		SEE TABLE	KET KOREA ELECTRIC ENGINEERED TERMINAL CO., LTD.
						FINISH		NATURAL	
						WIRE RANGE		CLASS	.090
						INSULATION		TYPE	
△	ECO-1705-352 근거 도면 제작성	SY.L	KMH	CJH	'17.05.24	TOLERANCE EXCEPT AS NOTED		SCALE	2/1
LTR	REVISION RECORD	DR.	CHK.	APP.	DATE	SEE TABLE		PART NO.	MG612240
DR.	WON. 2001.8.22	CHK.	KKJ		8/23	PART NAME		ASC 14F HOUSING	
CHK.		APP.	CHOSH		8/23				