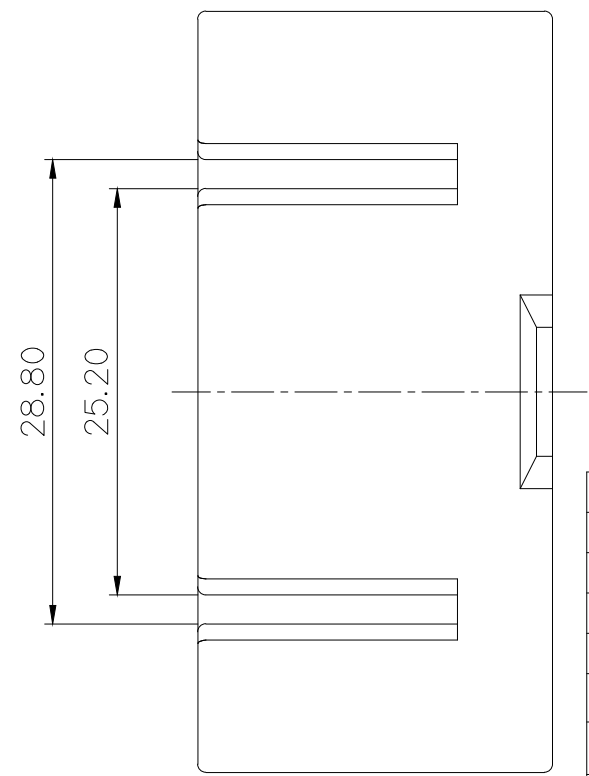
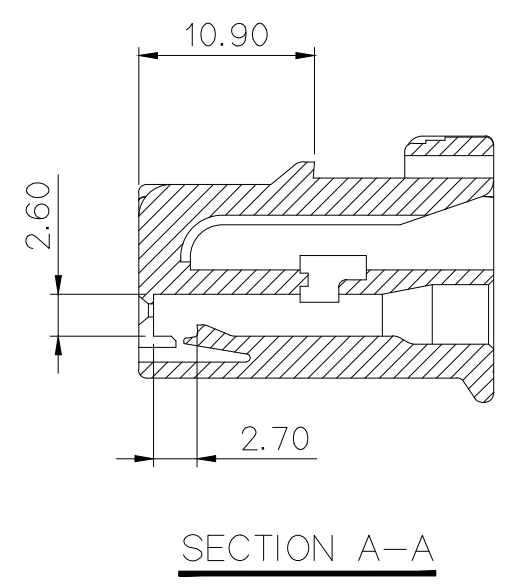
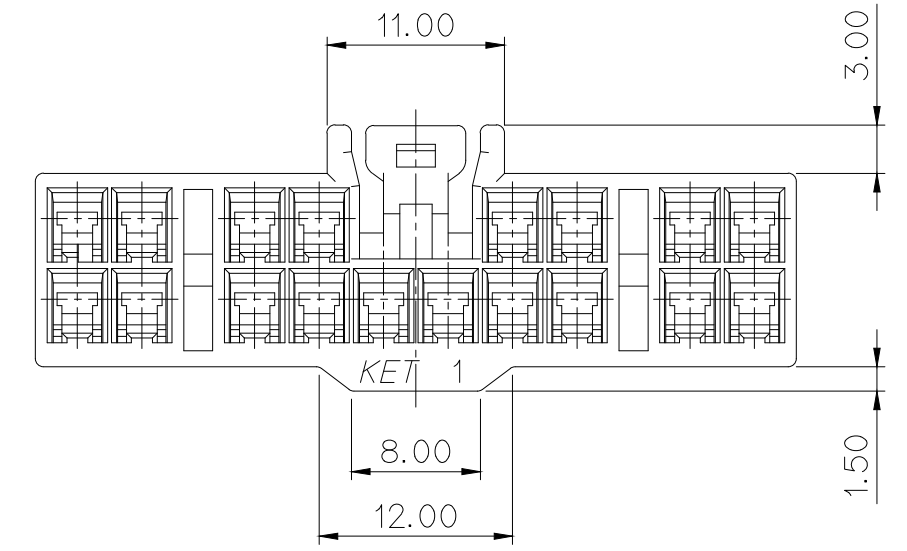
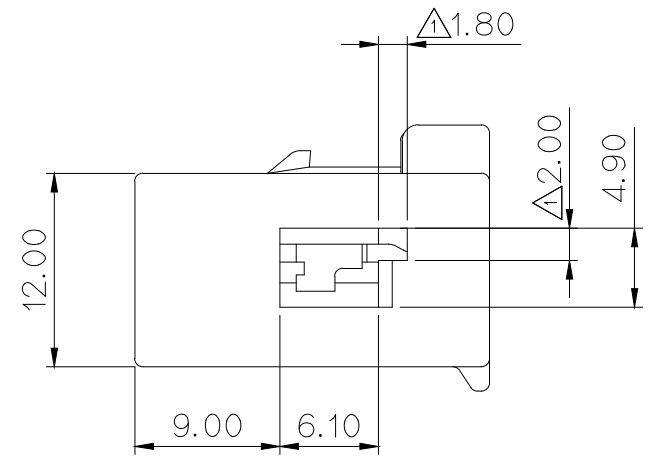
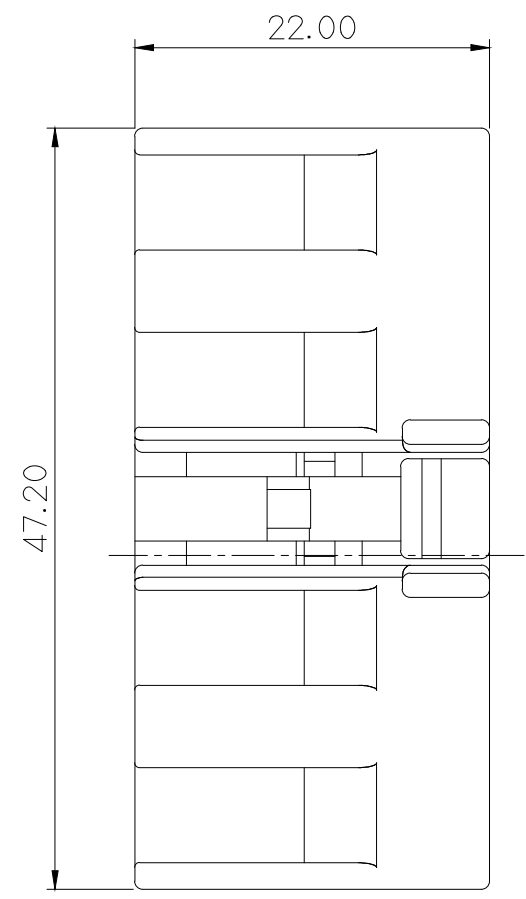
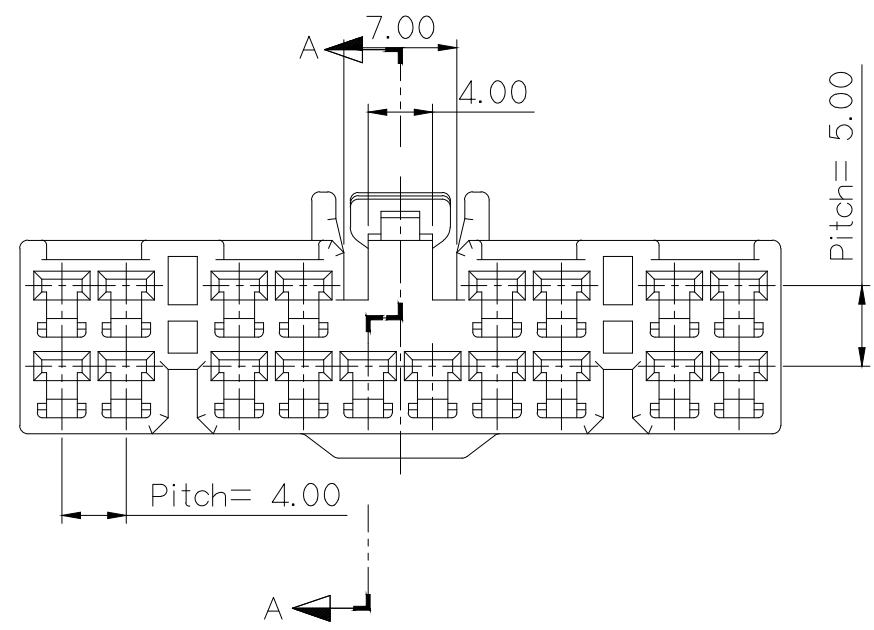


GENERAL TOLERANCE (HOUSING)					USED ON
10MAX	20MAX	45MAX	ANGLE	ECCENT	
±0.2	±0.25	±0.3	±30'	0.1	

NOTE

- MUST BE FREE OF BURR, WEIDLIN AND IMPERFECTION THAT AFFECT FUNCTION.
- APPLICABLE TERMINAL: ST730775, 776, 777
APPLICABLE HOUSING: MG622248
APPLICABLE SPACER: MG632247
- 6 HAZARDOUS SUBSTANCES IN PARTS (LEAD, MERCURY, CADMIUM, HEXAVALENT CHROMIUM, PBDEs) SHALL NOT EXCEED THE MAXIMUM PERMISSIBLE CONCENTRATION PRESCRIBED UNDER EU ELV DIRECTIVE.



주 기

- 기능상 유해한 BURR 및 WELDLINE 등이 없을것.
- 적용 TERMINAL: ST730775, 776, 777
적용 HOUSING: MG622248
적용 SPACER: MG632247
- 제품내 함유된 6대 유해물질 (납, 수은, 카드뮴, 6가 크롬, PBBs, PBDEs)은 EU ELV 지침 및 RoHS 법규에서 지정한 최대 허용 농도를 초과해서는 안된다.

APPROVED
2018-12-07
KOREA ELECTRIC
TERMINAL CO., LTD.
Korea Electric Terminal Co., LTD.

ISSUE MARK

		MATERIAL		PBT		KOREA ELECTRIC TERMINAL CO., LTD.	
		FINISH		NATURAL			
		WIRE RANGE		CLASS		.090	
		INSULATION		TYPE			
△ SPACER 오조립 방지 DR. WON. 2001.08.22 CHK. KKJ		元 KKJ 2002.5.29		TOLERANCE EXCEPT AS NOTED SEE TABLE		SCALE 2/1	
LTR REVISION RECORD DR. WON. 2001.08.22 CHK. KKJ		APP. CHOSH 8/23		PART NAME ASC 18F HOUSING		PART NO. MG612246	