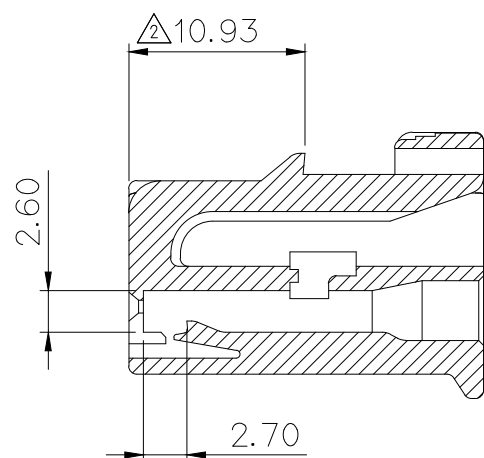
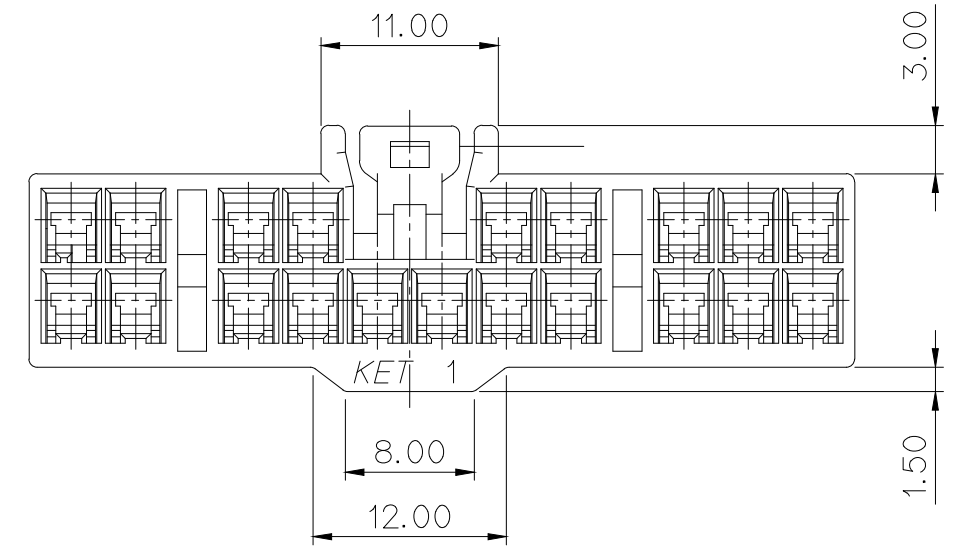
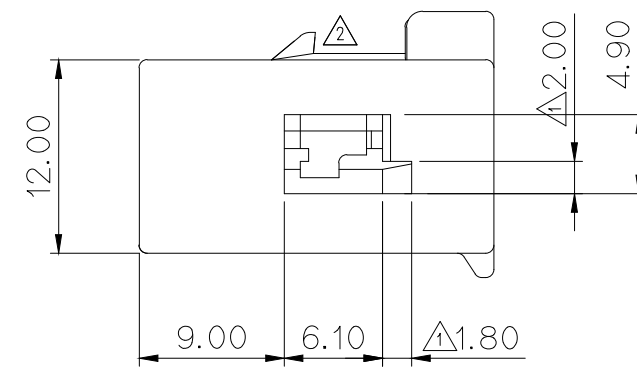
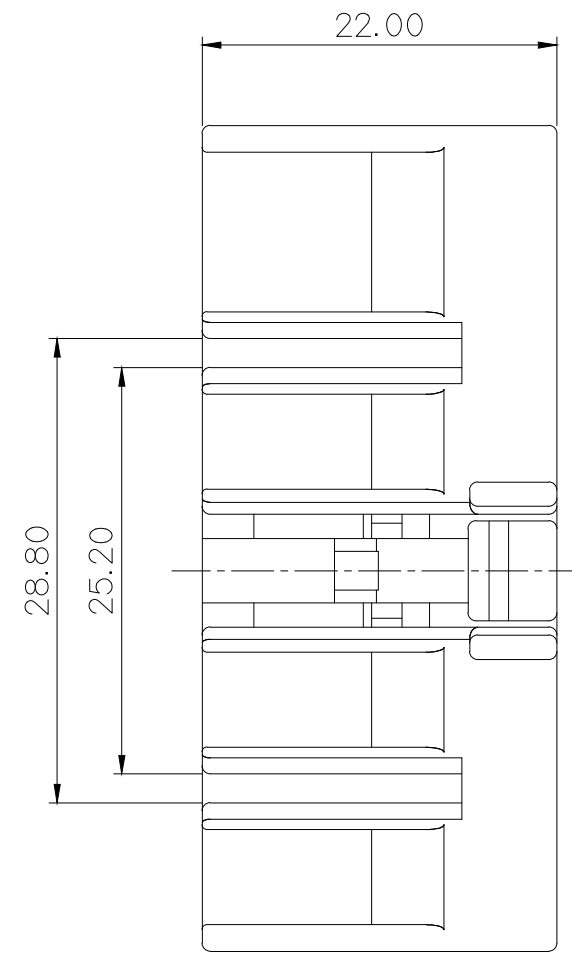
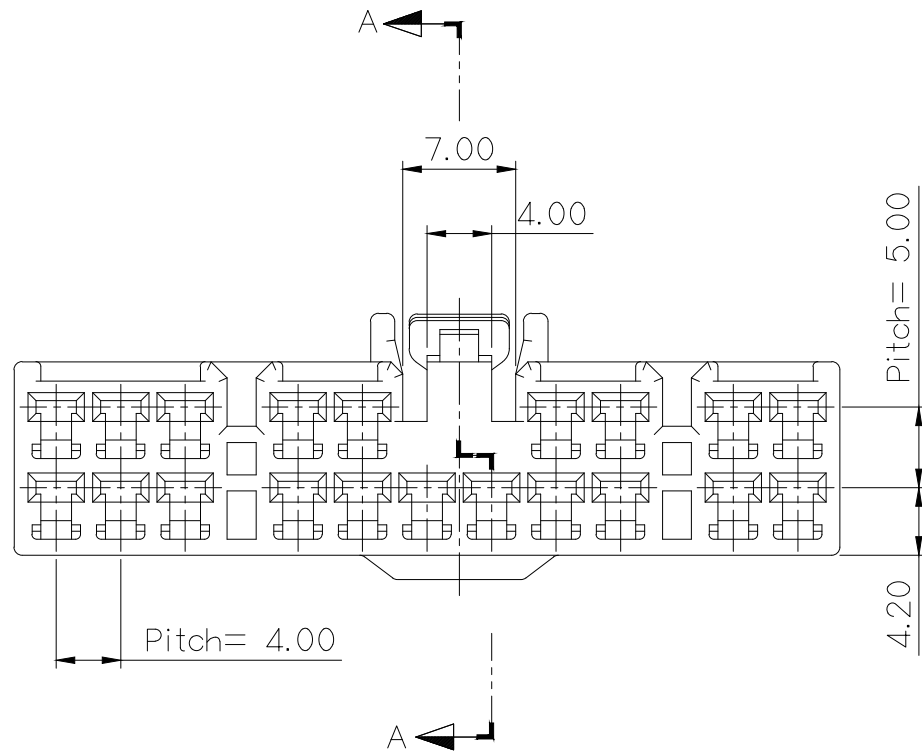


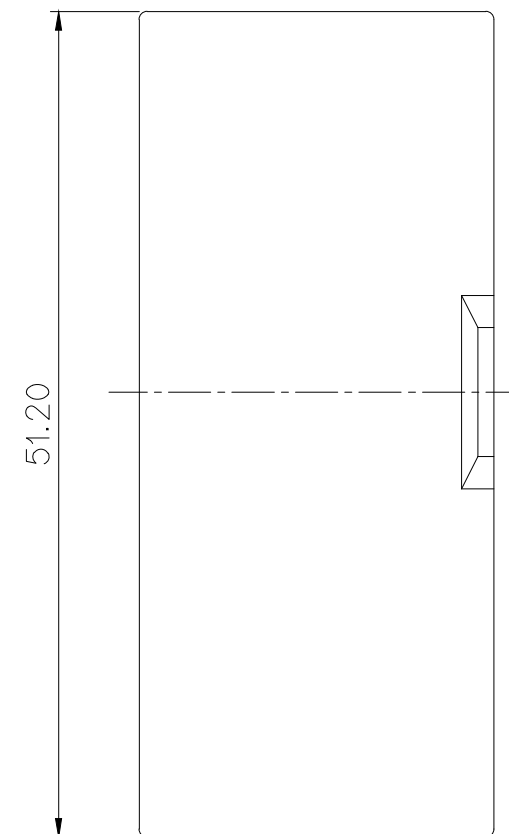
GENERAL TOLERANCE (HOUSING)					USED ON
10MAX	20MAX	45MAX	ANGLE	ECCENT	
±0.2	±0.25	±0.3	±30'	0.1	

NOTE

- MUST BE FREE OF BURR, WEIDLINER AND IMPERFECTION THAT AFFECT FUNCTION.
- APPLICABLE TERMINAL: ST730775, 776, 777
APPLICABLE HOUSING: MG622252
APPLICABLE SPACER: MG632251



SECTION A-A



주 기

- 기능상 유해한 BURR 및 WELDLINE 등이 없을 것.
- 적용 TERMINAL: ST730775, 776, 777
적용 HOUSING: MG622252
적용 SPACER: MG632251

APPROVED

2018-12-07

KOREA ELECTRIC
TERMINAL CO., LTD.
Product Development
Team 1

ISSUE MARK

		MATERIAL		PBT		KOREA ELECTRIC	
		FINISH		NATURAL		TERMINAL CO., LTD.	
		WIRE RANGE				CLASS .090	
		INSULATION				TYPE	
LTR		REVISION RECORD		DR.		DATE	
DR.		WON. 2001.08.22		CHK.		8/23	
CHK.				APP.		8/23	
		TOLERANCE EXCEPT AS NOTED		SEE TABLE		SCALE 2/1	
		PART NAME		ASC 20F HOUSING		PART NO. MG612250	