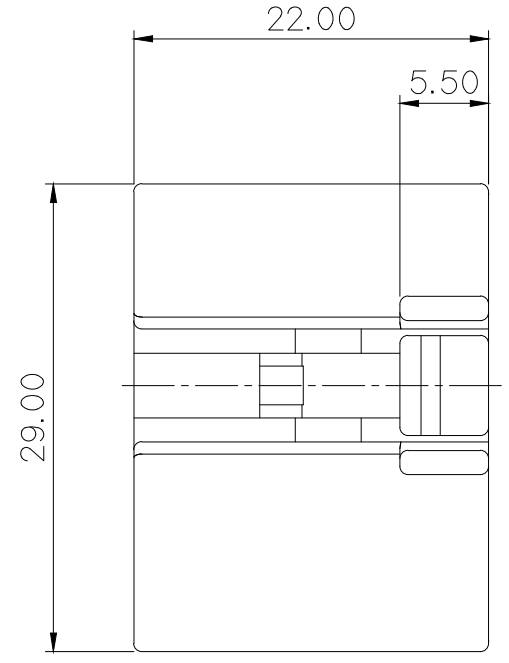
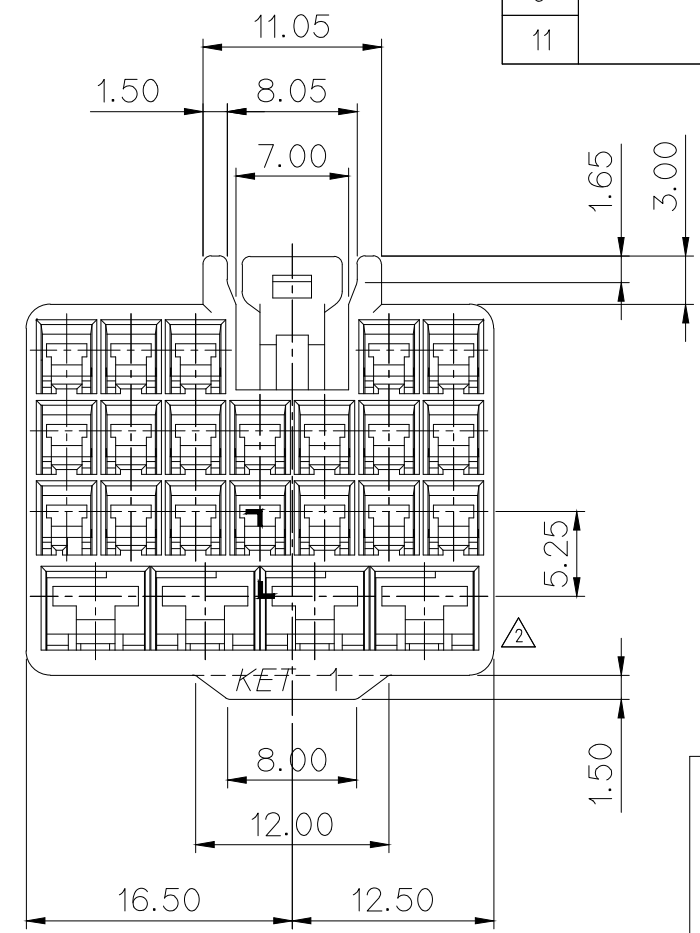
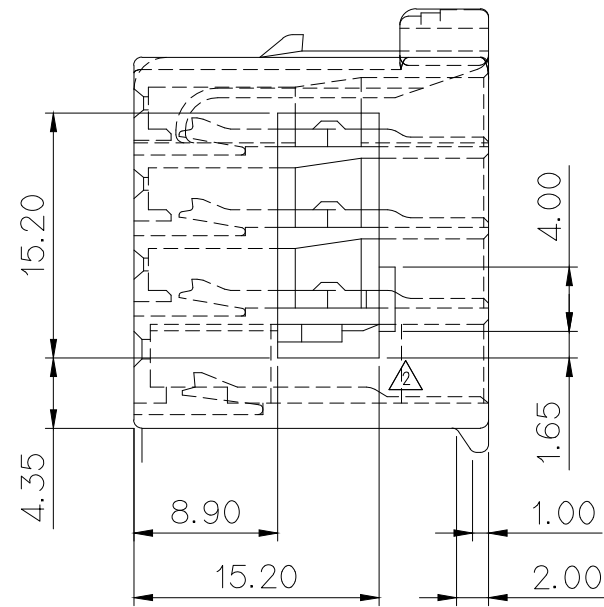
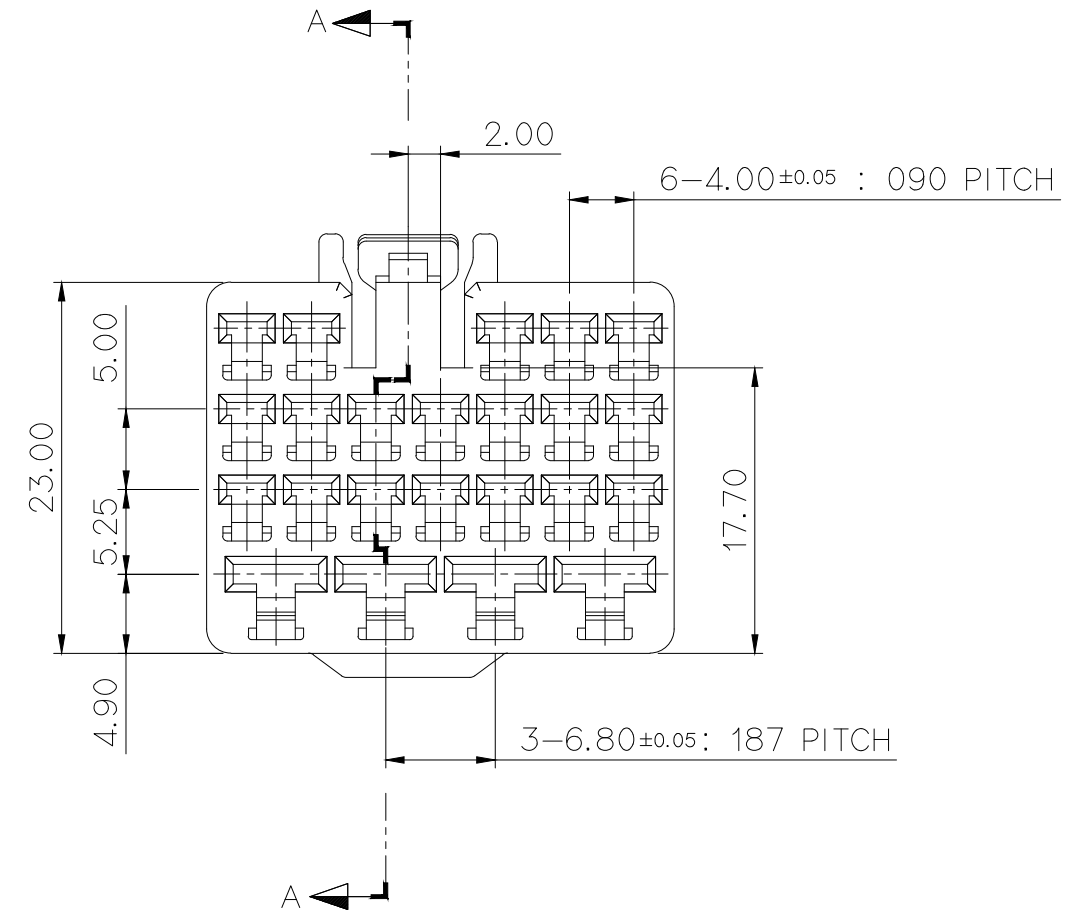


SECTION A-A



GENERAL TOLERANCE (HOUSING)					USED ON
10MAX	20MAX	45MAX	ANGLE	ECCENT	
±0.2	±0.25	±0.3	±30'	0.1	

NO.	MATERIAL	COLOR
* 0	P B T	NATURAL
* 1		RED
* 2		BLUE
3		YELLOW
40		DARK GRAY
41		LIGHT GRAY
* 5		BLACK
6		DARK GREEN
7		BROWN
8		LIGHT GREEN
9		MAGENTA
11	ORANGE	



- 주 기**
- 기능상 유해한 BURR 및 WELDLINE등이 없을것.
 - 적용 TERMINAL: 090 - ST730775, 776, 777
적용 TERMINAL: 187 - ST730644, 645, 646
적용 HOUSING: MG622471
적용 SPACER: MG632470
 - 제품내 함유된 6대 유해물질 (납, 수은, 카드뮴, 6가크롬, PBBs, PBDEs)은 EU ELV 지침 및 RoHS 법규에서 지정한 최대 허용 농도를 초과해서는 안된다.

APPROVED
2018-12-07
KOREA ELECTRIC
TERMINAL CO., LTD.
Product Development Team 1

ISSUE MARK

		MATERIAL		PBT		KOREA ELECTRIC	
		FINISH		△ SEE TABLE		TERMINAL CO., LTD.	
		WIRE RANGE				CLASS .090 II & .187 II	
		INSULATION				TYPE HYBRID	
LTR		REVISION RECORD		DR. CHK. APP. DATE		TOLERANCE EXCEPT AS NOTED	
DR. WON. 01.11.09		CHK.		11/9		SCALE 2/1	
CHK.		APP.		11/9		PART NAME	
						1809 23F HOUSING	