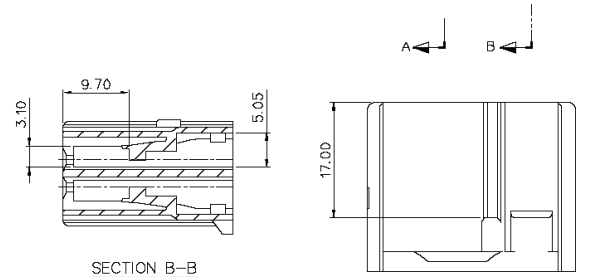
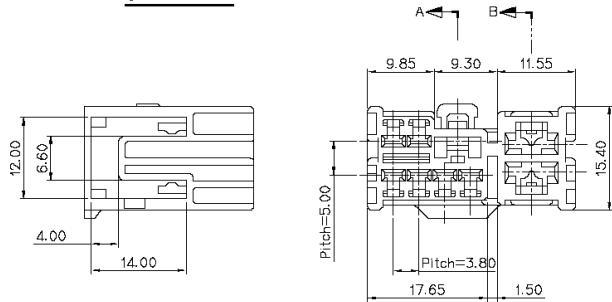


SECTION A-A



SECTION B-B

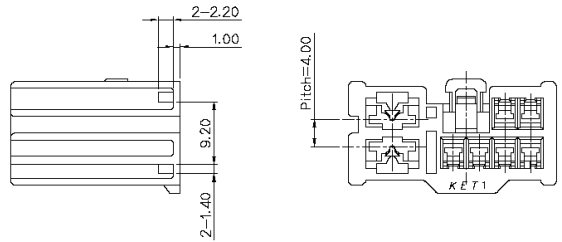
GENERAL TOLERANCE (HOUSING)

	10 MAX	50 MAX	100 MAX	250 MAX	250 VR	ANGLE	ECCENT
A	±0.15	±0.2	±0.3	±0.5	±0.75	±30'	0.1
ⓑ	±0.2	±0.3	±0.55	±0.95	±1.4	±30'	0.1
C	±0.3	±0.5	±0.8	±1.4	±2.0	±30'	0.15

USED ON

NOTE

- MUST BE FREE OF BURR, WELDLINE AND IMPERFECTION THAT AFFECT FUNCTION.
- APPLICABLE TERMINAL: ASC: ST730775, 776, 777
250: ST730916
APPLICABLE SPACER: MG632494
- HAZARDOUS SUBSTANCES IN PARTS (LEAD, MERCURY, CADMIUM, HEXAVALENT CHROMIUM, PBBs, PBDEs) SHALL NOT EXCEED THE MAXIMUM PERMISSIBLE CONCENTRATION PRESCRIBED UNDER EU ELV DIRECTIVE & RoHS REGULATION.



주 기

- 기공상 유해한 BURR 및 WELDLINE 등이 없으실 것.
- 적용 TERMINAL: ASC: ST730775, 776, 777
250: ST730916
적용 SPACER: MG632494
- 제품내 함유된 6대 유해물질 (납, 수은, 카드뮴, 6가크롬, PBBs, PBDEs)은 EU ELV 지침 및 RoHS 법규에서 지정한 최대 허용 농도를 초과하지는 안된다.

ISSUE MARK

		MATERIAL	PBT	
		FINISH	NATURAL	
		WIRE RANGE		
		INSULATION		
△ 검사항목 (중요도)에 따라 기재된 [CHK]은 필수 항목	DR. LSY. 01.12.13	DR. CHK.	APP. DATE	08.04.08
LTR REVISION RECORD	DR. CHK. APP. DATE	SEE TABLE	SCALE 2/1	PART NO. MG612493
DR. LSY. 01.12.13	CHK.	APP. DATE	PART NAME	2509 8F HOUSING
CHK.	APP. DATE	12/14	12/14	2509 8F HOUSING

KET KOREA ELECTRIC
TERMINAL CO., LTD.