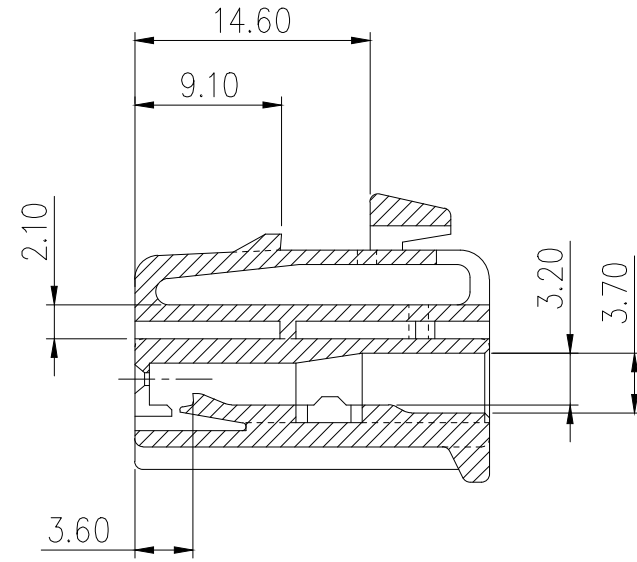
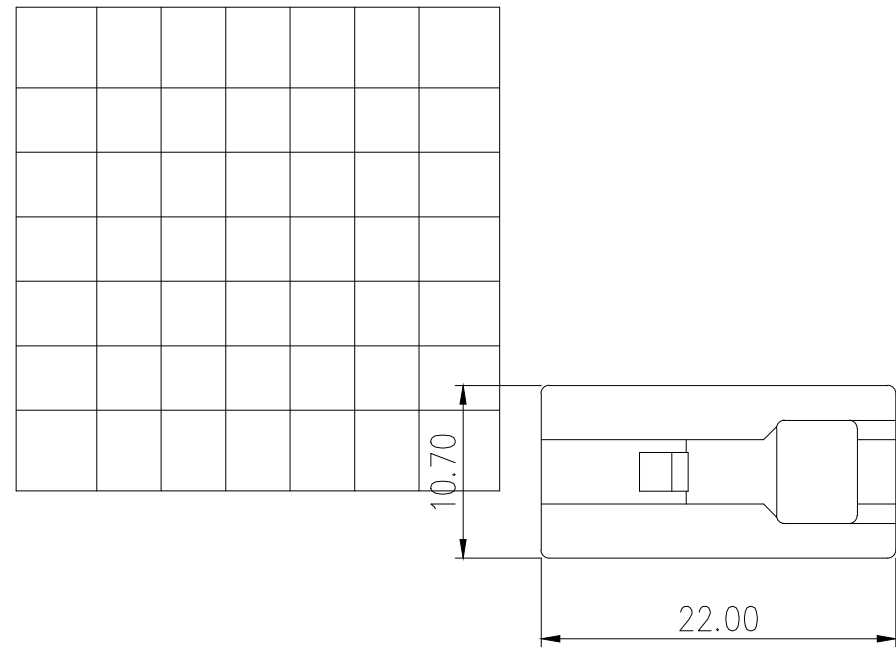


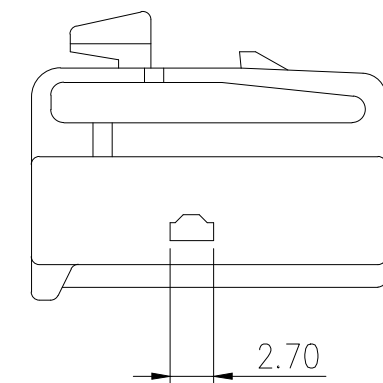
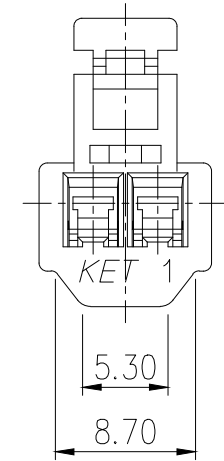
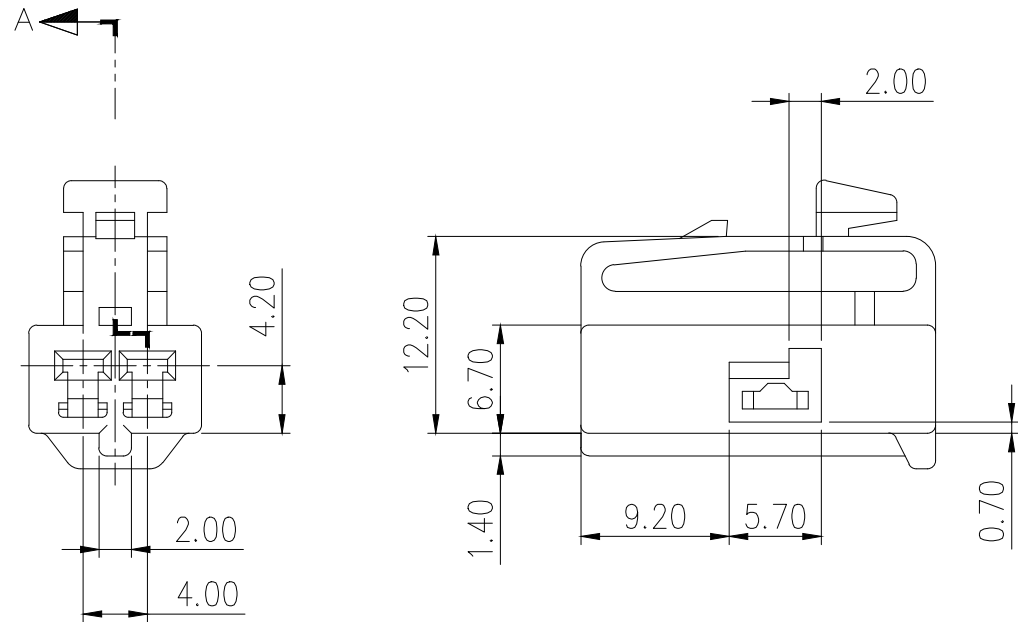
GENERAL TOLERANCE (HOUSING)							USED ON
10 MAX	50 MAX	100 MAX	250 MAX	250 VR	ANGLE	ECCENT	
±0.2	±0.3	±0.55	±0.95	±1.4	±30'	0.1	



SECTION A-A

NOTE

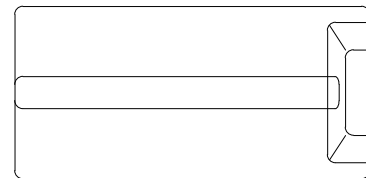
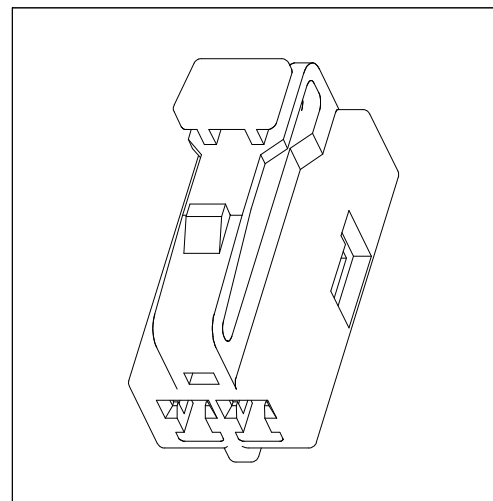
- MUST BE FREE OF BURR, WELDLINE AND IMPERFECTION THAT AFFECT FUNCTION.
- APPLICABLE TERMINAL :ST730775, 776, 777
APPLICABLE HOUSING :MG622949, MG641203
APPLICABLE SPACER :MG631859
- △ 3. 6 HAZARDOUS SUBSTANCES IN PARTS (LEAD, MERCURY, CADMIUM, HEXAVALENT CHROMIUM, PBBs, PBDEs) SHALL NOT EXCEED THE MAXIMUM PERMISSIBLE CONCENTRATION PRESCRIBED UNDER EU ELV DIRECTIVE & RoHS REGULATION.



주 기

- 기능상 유해한 BURR 및 WELDLINE 등이 없을 것.
- 적용 TERMINAL: ST730775, 776, 777
적용 HOUSING: MG622949, MG641203
적용 SPACER: MG631859
- △ 3. 제품내 함유된 6대 유해물질 (납, 수은, 카드뮴, 6가크롬, PBBs, PBDEs)은 EU ELV 지침 및 RoHS 법규에서 지정한 최대 허용 농도를 초과해서는 안 된다.

△ NO.	MATERIAL	COLOR
* 0	P B T	NATURAL
1		RED
2		BLUE
20		JADE
* 3		YELLOW
* 4		GRAY
40		DARK GRAY
41		LIGHT GRAY
* 5		BLACK
6		DARK GREEN
7		BROWN
8	LIGHT GREEN	
9	MAGENTA	
11	ORANGE	



APPROVED
2018-12-10
KOREA ELECTRIC
TERMINAL CO., LTD.
Korea Electric Terminal Co., LTD.

ISSUE MARK

		MATERIAL		PBT		KOREA ELECTRIC	
		FINISH		NATURAL		TERMINAL CO., LTD.	
		WIRE RANGE				CLASS .090	
		INSULATION				TYPE	
△	ECO-1704-060	대거 도면 재작성	KCS	KMH	CJH	'17.04.06	
LTR	REVISION RECORD		DR.	CHK.	APP.	DATE	TOLERANCE EXCEPT AS NOTED
	DR. WON. 2003.01.10		CHK. KKJ				SCALE 2/1
	CHK.		APP. S.I. SAEP				PART NO. MG612948
							PART NAME
							ASC 2F HOUSING (BOTTOM)