

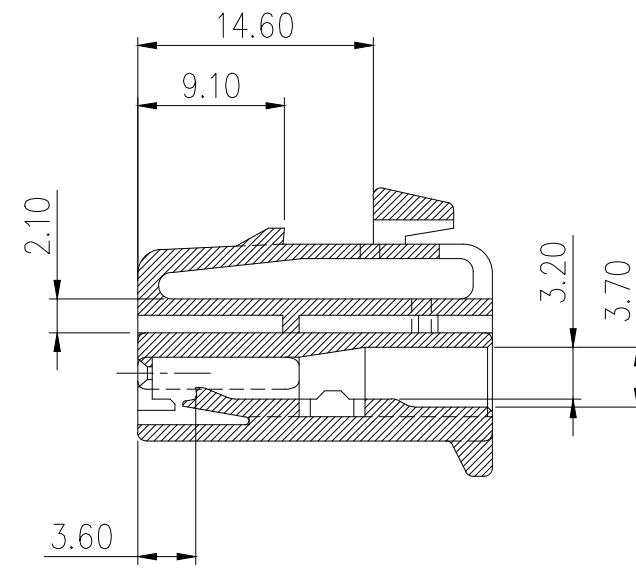
주 기

- 1. 기능상 유해한 BURR 및 WELDLINE 등이 없을 것.
- 2. 적용 TERMINAL: ST730775-3, ST730776-3, ST730777-3  
 △알루미늄 전선용 : ST731405-3  
 적용 HOUSING: MG622951, MG641207  
 적용 SPACER: MG631859
- 3. 제품내 함유된 6대 유해물질 (납, 수은, 카드뮴, 6가 크롬, PBBs, PBDEs)은 EU ELV 지침 및 RoHS 법규에서 지정한 최대 허용 농도를 초과해서는 안 된다.

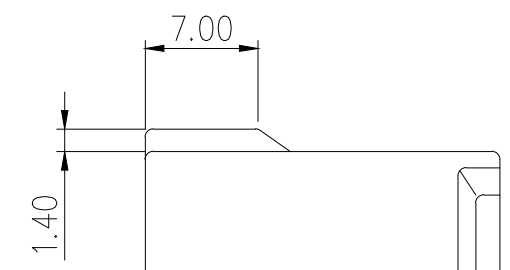
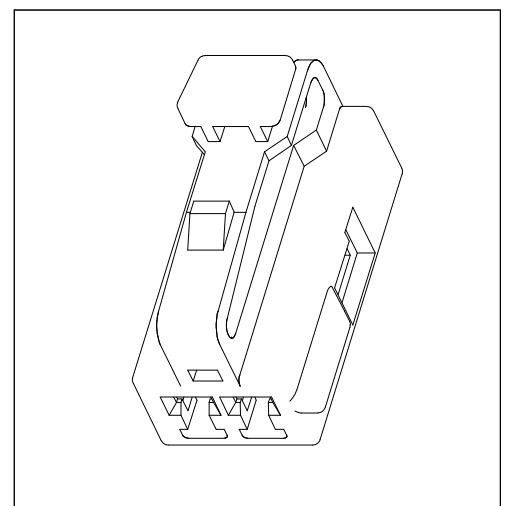
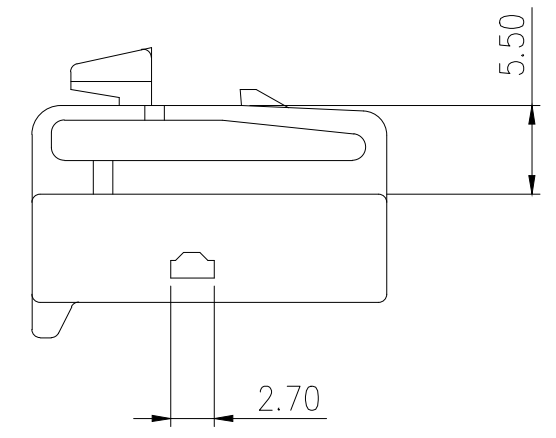
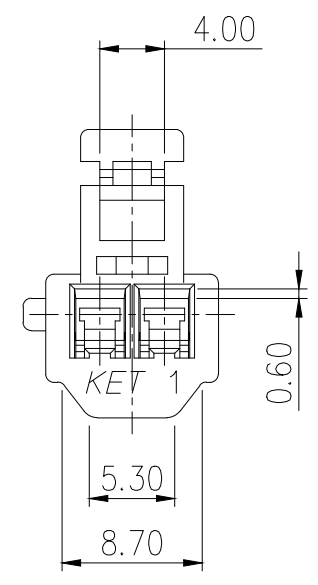
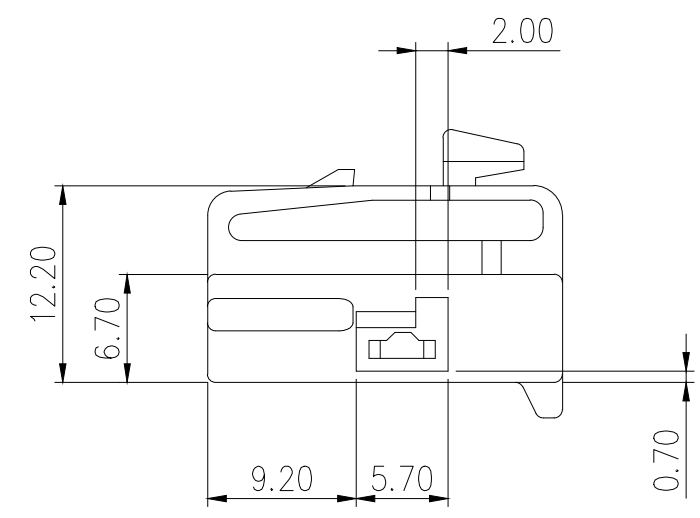
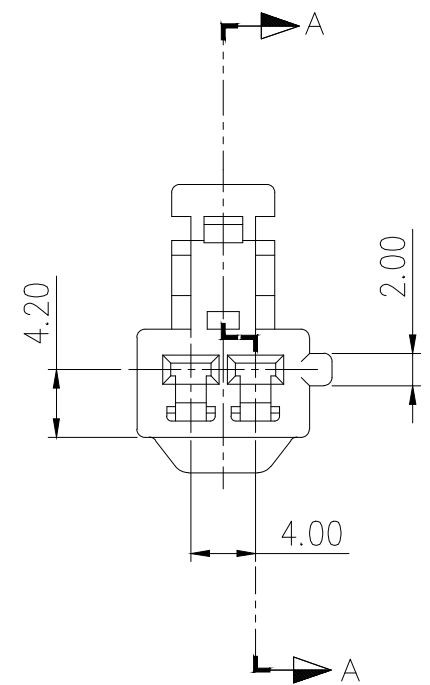
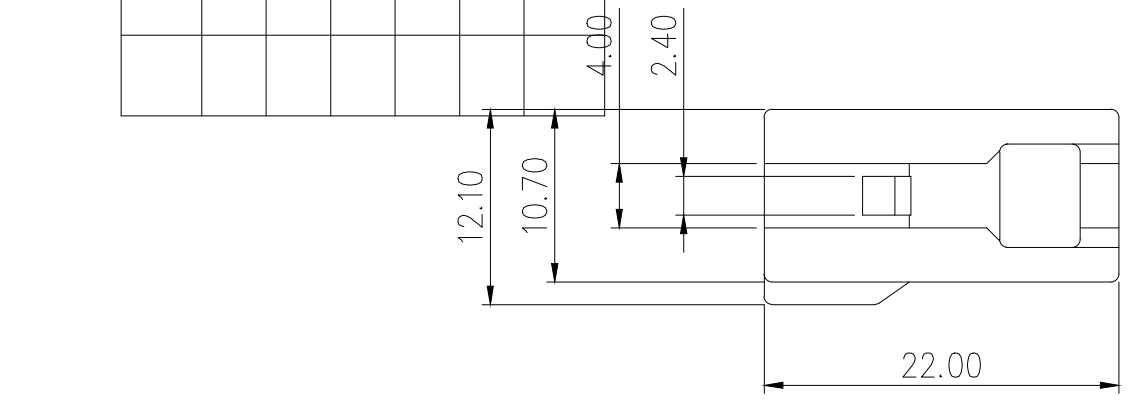
GENERAL TOLERANCE (HOUSING)							USED ON
10 MAX	50 MAX	100 MAX	250 MAX	250 VR	ANGLE	ECCENT	
±0.2	±0.3	±0.55	±0.95	±1.4	±30'	0.1	

NOTE

- 1. MUST BE FREE OF BURR, WELDLINE AND IMPERFECTION THAT AFFECT FUNCTION.
- 2. APPLICABLE TERMINAL : ST730775-3, ST730776-3, ST730777-3  
 △ FOR ALUMINIUM WIRING : ST731405-3  
 APPLICABLE HOUSING : MG622951, MG641207  
 APPLICABLE SPACER : MG631859
- 3. 6 HAZARDOUS SUBSTANCES IN PARTS (LEAD, MERCURY, CADMIUM, HEXAVALENT CHROMIUM, PBDEs) SHALL NOT EXCEED THE MAXIMUM PERMISSIBLE CONCENTRATION PRESCRIBED UNDER EU ELV DIRECTIVE.



SECTION A-A



**APPROVED**  
 2020-12-24  
 KOREA ELECTRIC  
 TERMINAL CO., LTD.  
 Korea Electric Terminal Co., LTD.

ISSUE MARK

		MATERIAL		PBT		KOREA ELECTRIC	
		FINISH		NATURAL		TERMINAL CO., LTD.	
		WIRE RANGE		CLASS		.090	
		INSULATION		TYPE			
△	ECO-2005-026	MSJ	HYJ	CJH	20.05.07		
LTR	REVISION RECORD	DR.	CHK.	APP.	DATE	TOLERANCE EXCEPT AS NOTED	SCALE
	WON. 2003.01.10		CHK. KKJ '03.01.15			SEE TABLE	2/1
			APP. CHOSH '03.01.16			PART NAME	PART NO.
						ASC 2F HOUSING (RIGHT)	
						MG612950	