

NOTE

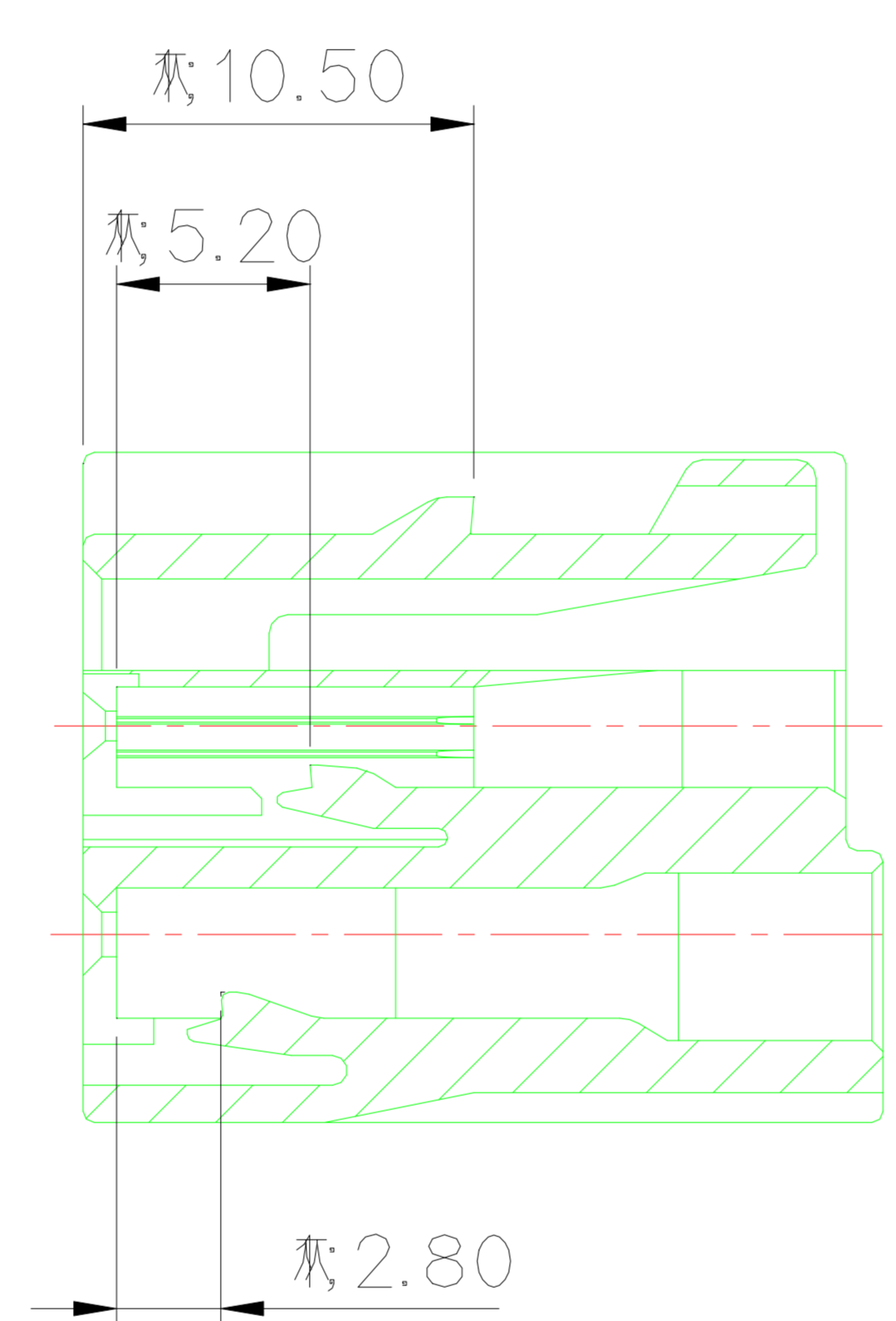
- MUST BE FREE OF BURR, WELDLINE AND IMPERFECTION THAT AFFECT FUNCTION.
- APPLICABLE TERMINAL :
187 : ST730644, 645, 646-3
090 : ST731046, 1047, 0677-3
APPLICABLE CONNECTOR : MG624681
- 6 HAZARDOUS SUBSTANCES IN PARTS (LEAD, MERCURY, CADMIUM, HEXAVALENT CHROMIUM, PBBs, PBDEs) SHALL NOT EXCEED THE MAXIMUM PERMISSIBLE CONCENTRATION PRESCRIBED UNDER EU ELV DIRECTIVE & RoHS REGULATION.

GENERAL TOLERANCE (HOUSING)

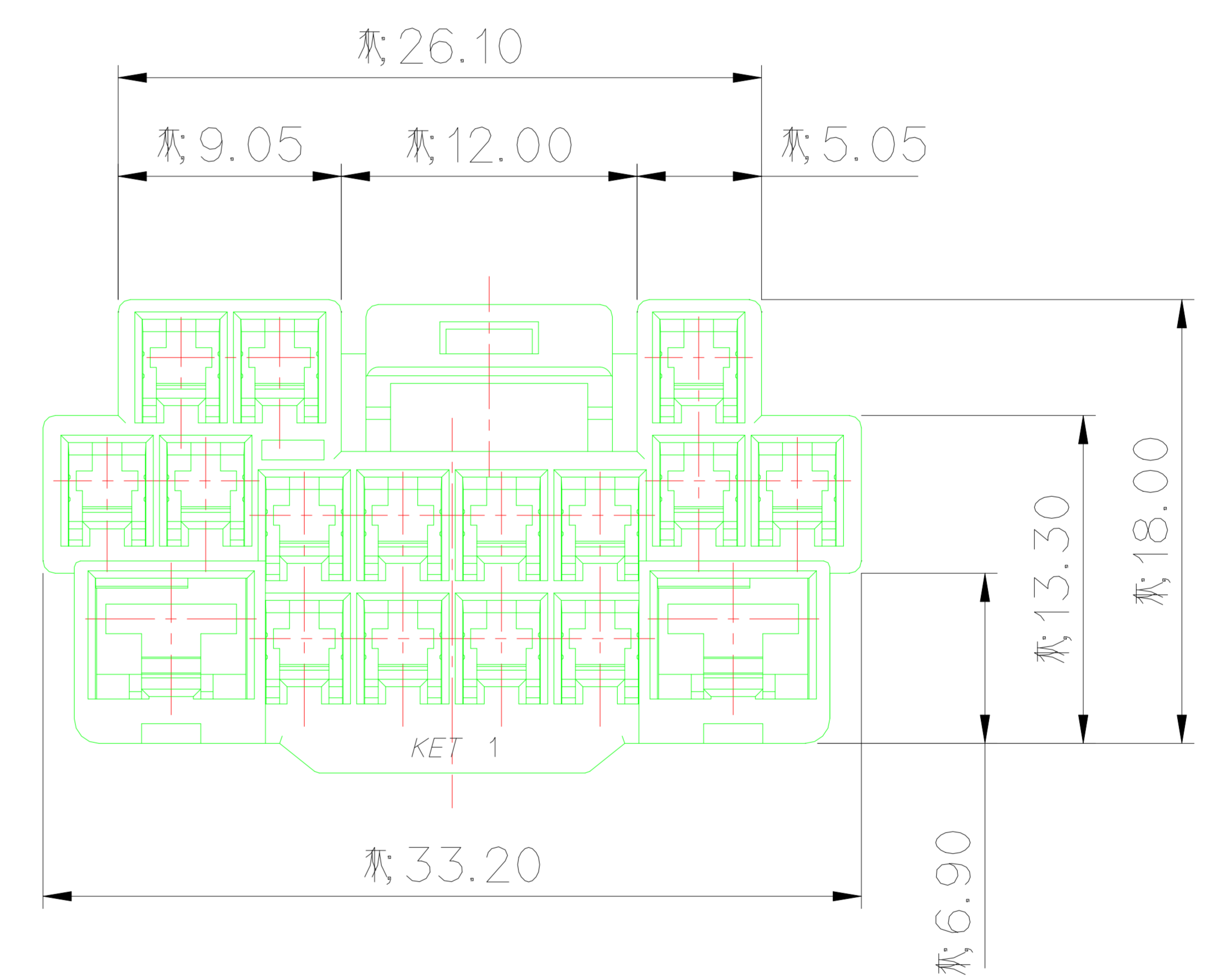
10MAX	50MAX	100MAX	250MAX	250VR	ANGLE	ECCENT	USED ON
±0.2	±0.3	±0.55	±0.95	±1.4	±30'	0.1	

주 기

- 기능상 유해한 BURR 및 WELDLINE 등이 없을 것.
- 적용 TERMINAL :
187 : ST730644, 645, 646-3
090 : ST731046, 1047, 0677-3
적용 CONNECTOR : MG624681
- 제품내 함유된 6대 유해물질 (납,수은,카드뮴,6가크롬, PBBs,PBDEs)은 EU ELV 지침 및 RoHS 법규에서 지정한 최대 허용 농도를 초과해서는 안된다.



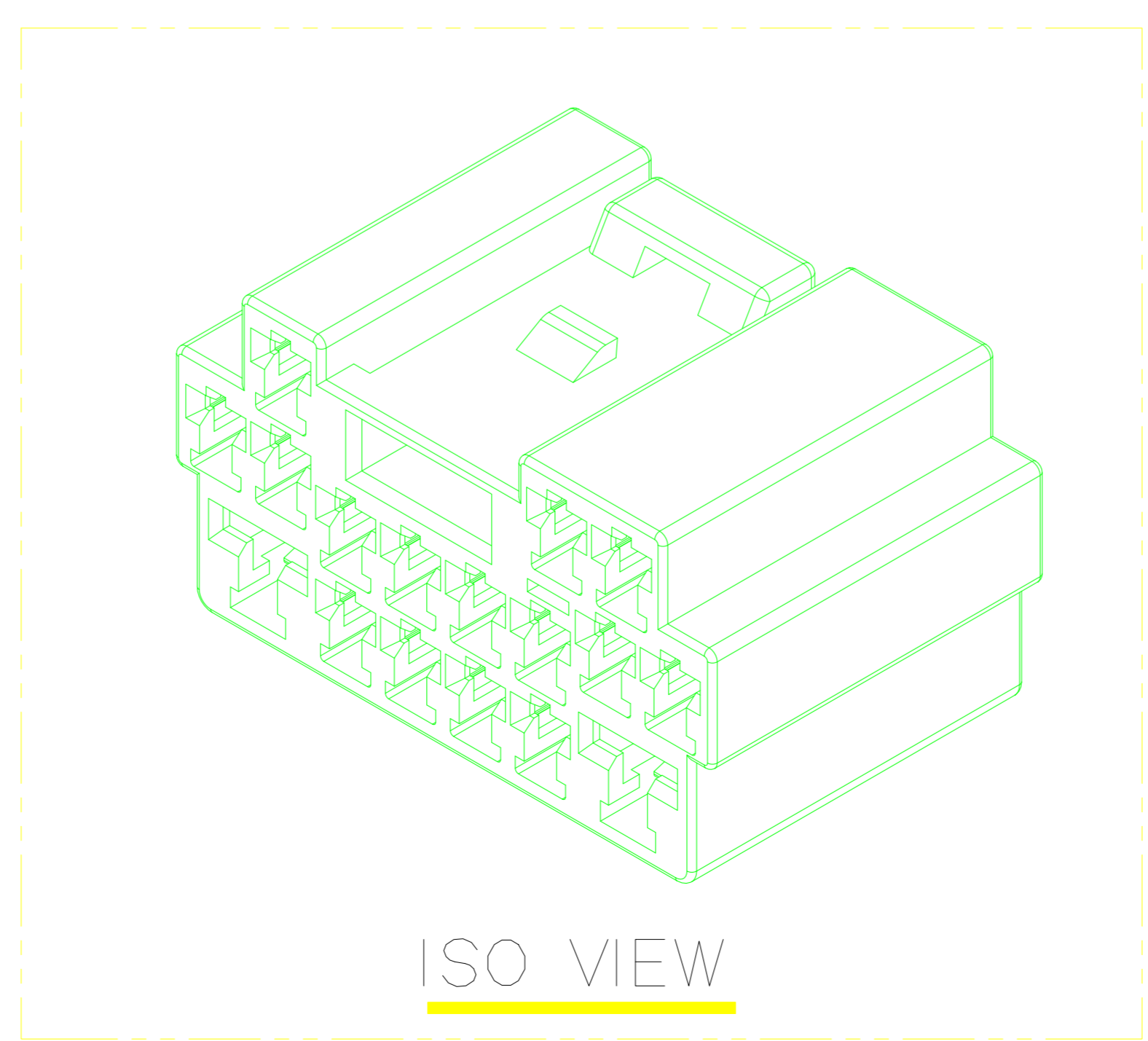
SECTION A-A



NO.	MATERIAL	COLOR
* 0	P B T:	NATURAL
1		RED
2		BLUE
20		JADE
3		YELLOW
4		GRAY
40		DARK GRAY
41		LIGHT GRAY
5		BLACK
6		DARK GREEN
7		BROWN
8	LIGHT GREEN	
9	MAGENTA	
11	ORANGE	



ISSUE MARK



ISO VIEW

LTR	REVISION RECORD	DR.	CHK.	APP.	DATE	TOLERANCE EXCEPT AS NOTED	SCALE	PART NO.
	CDH. 2009.07.29		LSY		09.07.31	SEE TABLE	2/1	MG614680
CHK.		APP.			09.07.31	PART NAME		
						MATERIAL	PBT	
						FINISH	NATURAL	KET KOREA ELECTRIC TERMINAL CO., LTD. ENGINEERED
						WIRE RANGE		CLASS 1809
						INSULATION		TYPE
						1809 17F HOUSING		