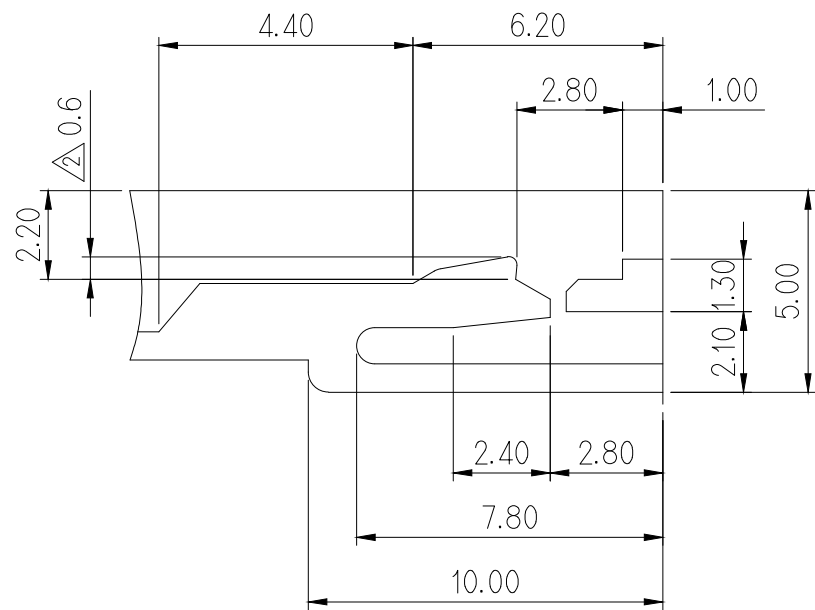


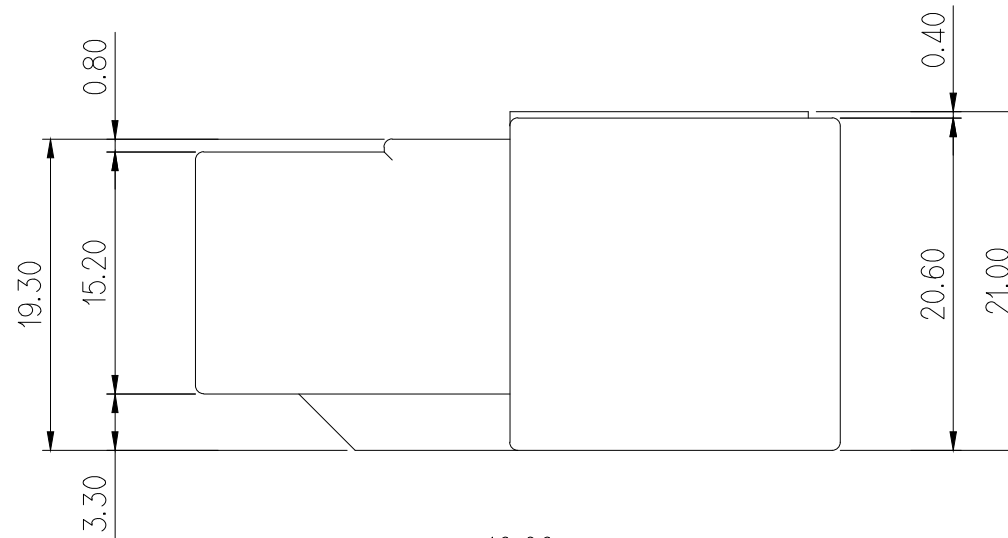
GENERAL TOLERANCE (HOUSING)									USED ON
10MAX	30MAX	50MAX	70MAX	100MAX	120MAX	250MAX	250VR	ANGLE	
±0.15	±0.20	±0.30	±0.40	±0.50	±0.75	±0.9	±1.4	±30'	



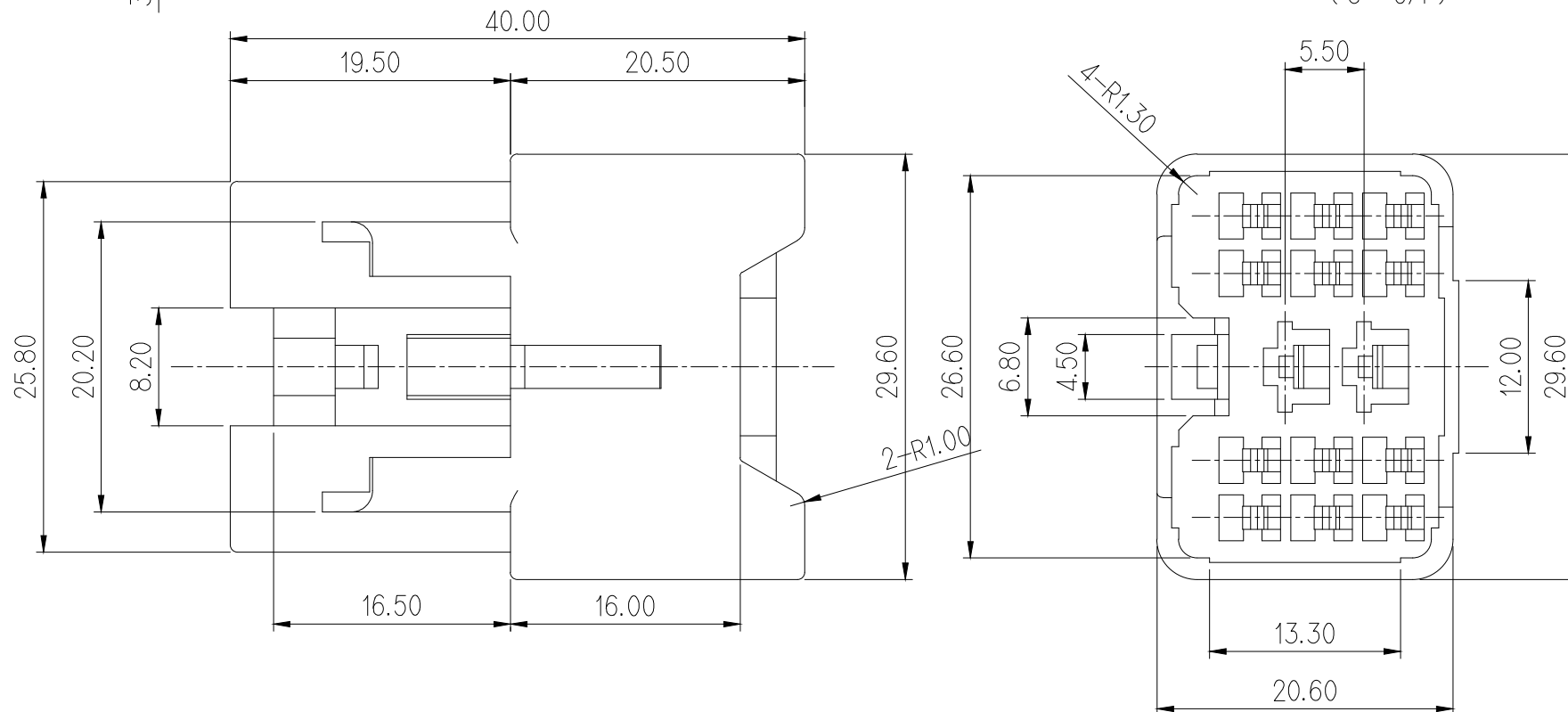
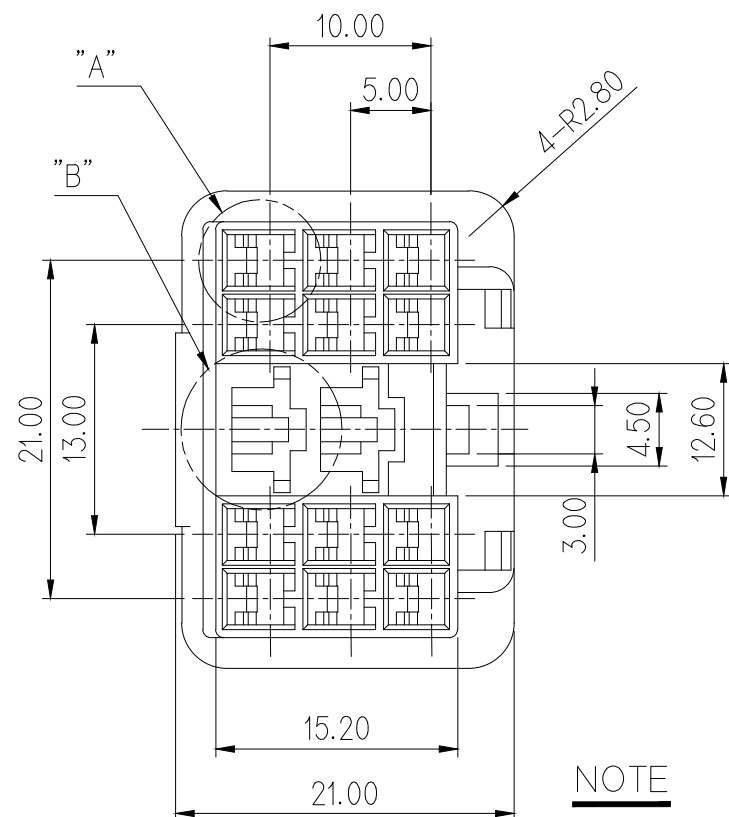
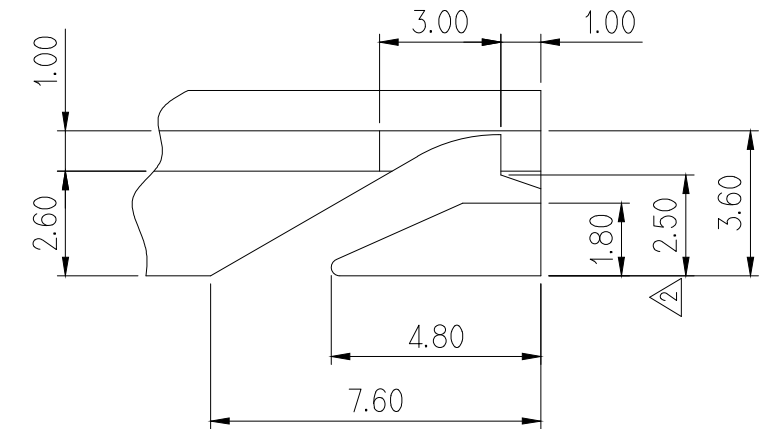
DETAIL "A"
(S = 5/1)

주 기

- 기능상 유해한 결함이 없을것(BURR, 미성형, WELDLINE등)
- 적용 TERMINAL : ST740367-3, ST740368-3
- 상대 HOUSING : MG610071
- 제품내 함유된 6대 유해물질 (납, 수은, 카드뮴, 6가 크롬, PBBs, PBDEs)은 EU ELV 지침 및 RoHS 법규에서 지정한 최대 허용 농도를 초과해서는 안된다.



DETAIL "B"
(S = 5/1)



NOTE

- MUST BE FREE OF FLASH, SINK AND IMPERFECTION THAT AFFECT FUNCTION.
- APPLICABLE TERMINAL : ST740367-3, ST740368-3
- APPLICABLE HOUSING : MG610071
- 6 HAZARDOUS SUBSTANCES IN PARTS (LEAD, MERCURY, CADMIUM, HEXAVALENT CHROMIUM, PBDEs) SHALL NOT EXCEED THE MAXIMUM PERMISSIBLE CONCENTRATION PRESCRIBED UNDER EU ELV DIRECTIVE.

APPROVED

2018-12-10

KOREA ELECTRIC
TERMINAL CO., LTD.
Korea Electric Terminal Co., LTD.

ISSUE MARK

					MATERIAL	NYLON94V-2	KOREA ELECTRIC TERMINAL CO., LTD.				
					FINISH	NATURAL					
					WIRE RANGE		CLASS				
					INSULATION		TYPE	7122-1340			
					LTR	REVISION RECORD	DR.	DATE	TOLERANCE EXCEPT AS NOTED	SCALE	PART NO.
							CHK.	APP.	± 0.3	2/1	MG620072
					DR.	PARK 86.09.30	CHK.		PART NAME		
					CHK.	J. W. Kwon	APP.		2509 HOUSING 14P REC.		