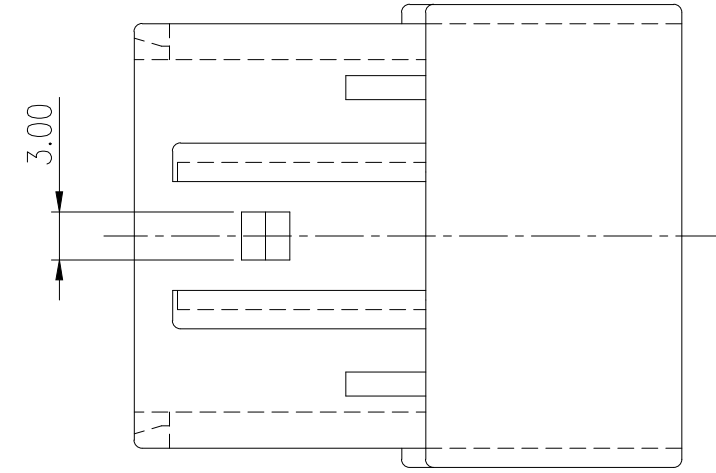
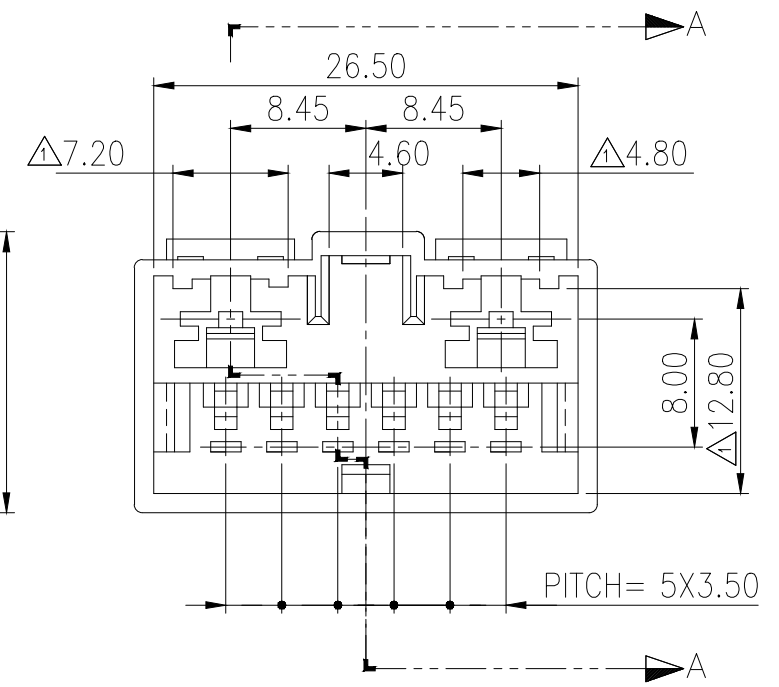
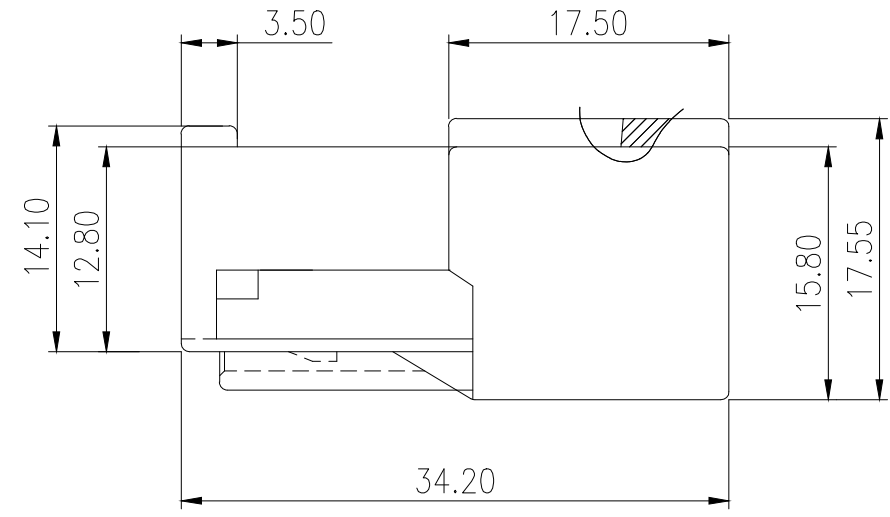
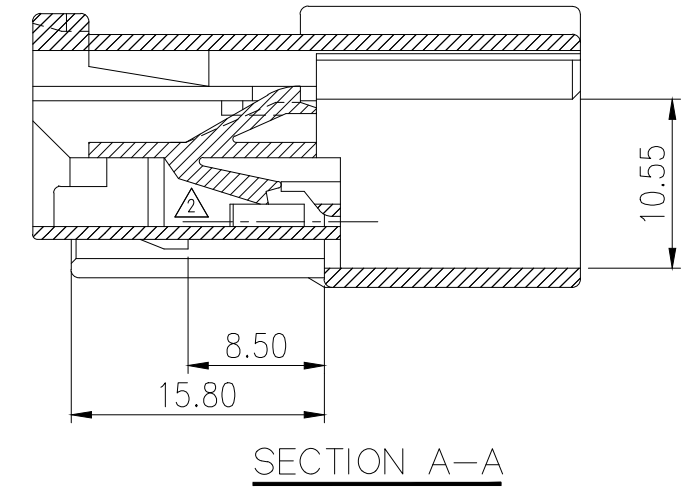
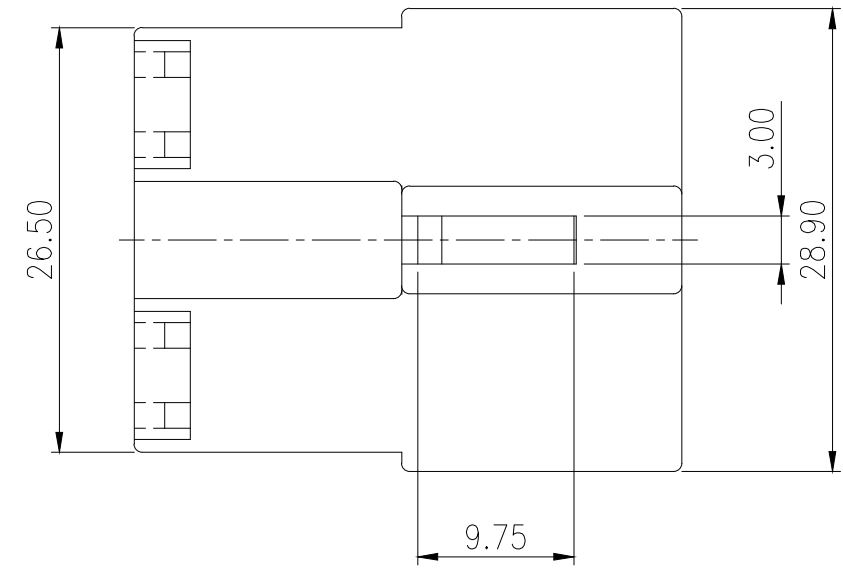
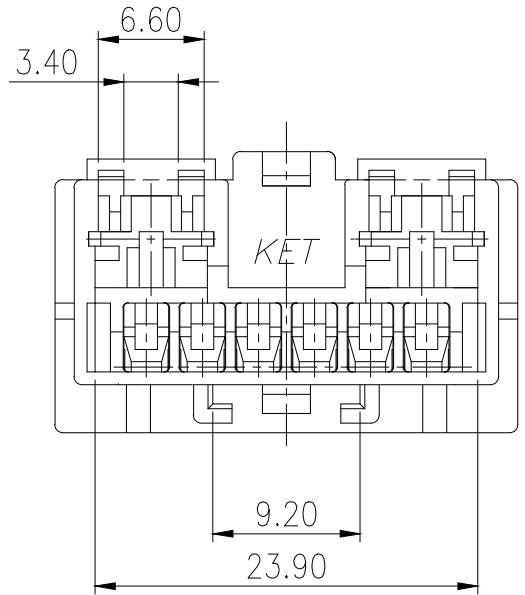


GENERAL TOLERANCE (HOUSING)							USED ON
10MAX	50MAX	100MAX	250MAX	250VR	ANGLE	ECCENT	
±0.2	±0.3	±0.55	±0.95	±1.4	±30'	0.1	

주 기

- 제품 기능상 유해한 BURR, 변형 및 WELDLINE 등이 없을 것.
- 적용 TERMINAL: ST740470, ST740471, ST740472 (250 TYPE: 2EA)
ST740484, ST740485 (070 TYPE: 6EA)
- 적용 HOUSING: MG610802
- 적용 CLIP: MG630418
- 적용 R/H: MG630915
- 제품내 함유된 6대 유해물질 (납, 수은, 카드뮴, 6가크롬, PBBs, PBDEs)은 EU ELV 지침 및 RoHS 법규에서 지정한 최대 허용 농도를 지정한 최대 허용 농도를 초과해서는 안된다.

NO.	MATERIAL	COLOR
* 0	PBT	NATURAL
1		RED
2		BLUE
20		JADE
3		YELLOW
* 4		GRAY
40		DARK GRAY
41		LIGHT GRAY
5		BLACK
6		DARK GREEN
7		BROWN
8	LIGHT GREEN	
9	MAGENTA	
11	ORANGE	



△NOTE

- MUST BE FREE OF FLASH, WELDLINE AND IMPERFECTION THAT AFFECT FUNCTION.
- APPLICABLE TERMINAL: ST740470, ST740471, ST740472 (250 TYPE: 2EA)
ST470484, ST740485 (070 TYPE: 6EA)
- MATCHING HOUSING : MG610802
- APPLICABLE CLIP: MG630418
- APPLICABLE R/H: MG630915
- 6 HAZARDOUS SUBSTANCES IN PARTS (LEAD, MERCURY, CADMIUM, HEXAVALENT CHROMIUM, PBBs, PBDEs) SHALL NOT EXCEED THE MAXIMUM PERMISSIBLE CONCENTRATION PRESCRIBED UNDER EU ELV DIRECTIVE & RoHS REGULATION.

APPROVED
2018-12-10
KOREA ELECTRIC
TERMINAL CO., LTD.
Korea Electric Te
rminal Co., LTD.

ISSUE MARK

					MATERIAL	SEE TABLE	KET ENGINEERED	KOREA ELECTRIC
					FINISH	SEE TABLE		TERMINAL CO., LTD.
△	ECO-1603-091 큰거 도면 재작성 (070 LANCE 현선 중대)	KCS	CKY	LSY	16.03.08	WIRE RANGE	CLASS	090 II
△	실계사양변경(S100115)큰거 도면 재작성	KMH	CWK	KKJ	10.05.13	INSULATION	TYPE	
LTR	REVISION RECORD	DR.	CHK.	APP.	DATE	TOLERANCE EXCEPT AS NOTED	SCALE	PART NO.
DR.	WON '95.06.13	CHK.			4/1	±0.20	4/1	MG620803
CHK.	JWK 4/1	APP.				PART NAME 2507 8M HOUSING		