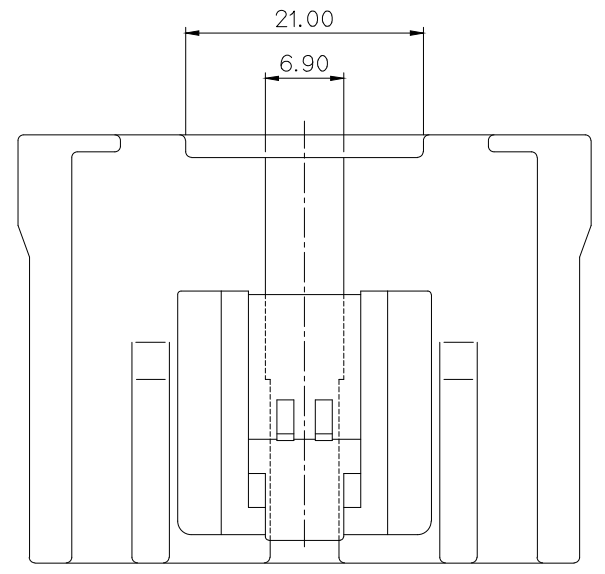
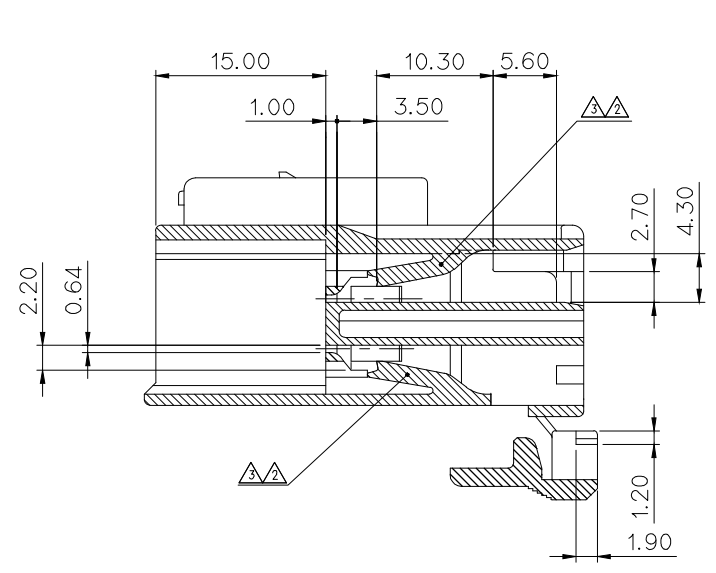


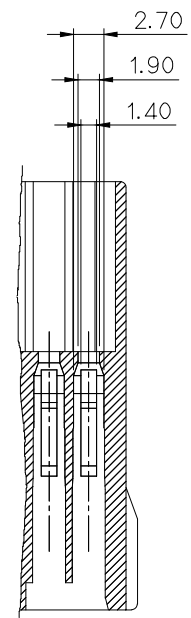
070 - CAVITY  
(S=5/1)



A ← B ←

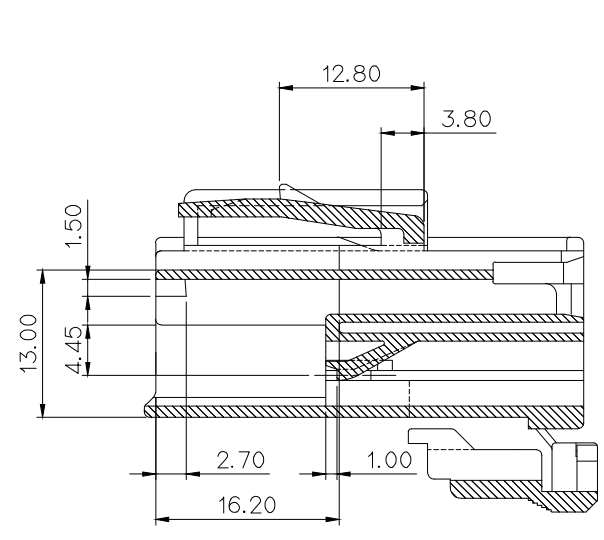
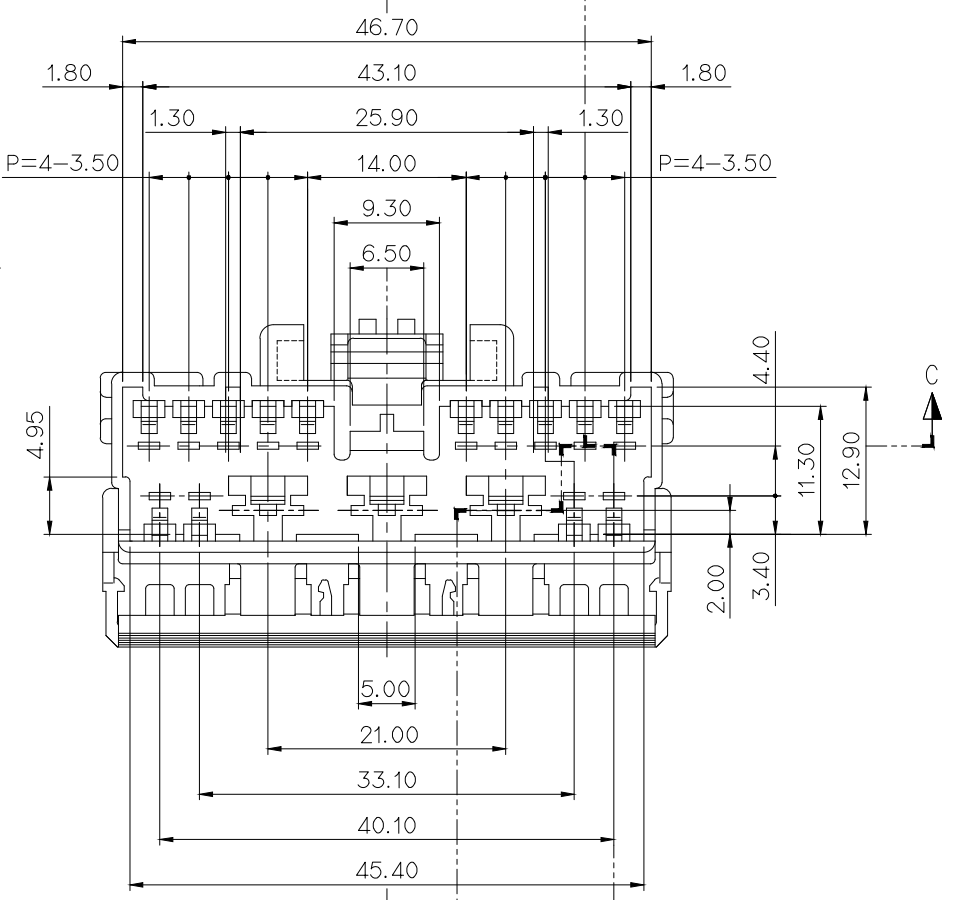
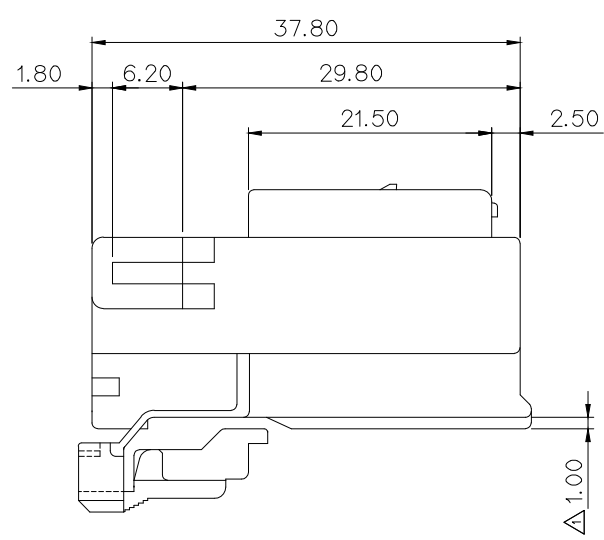


SECTION B-B

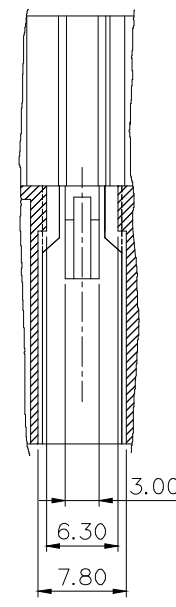
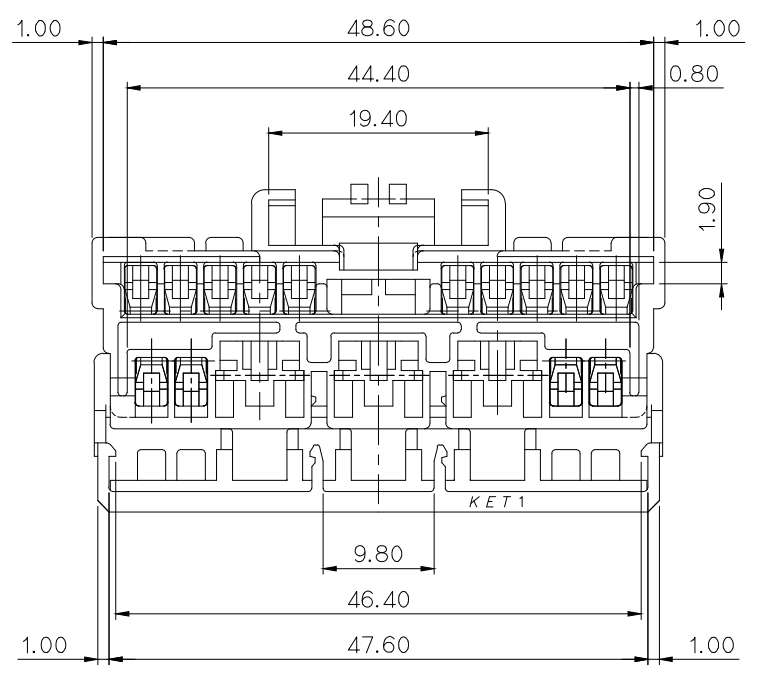


SECTION C-C

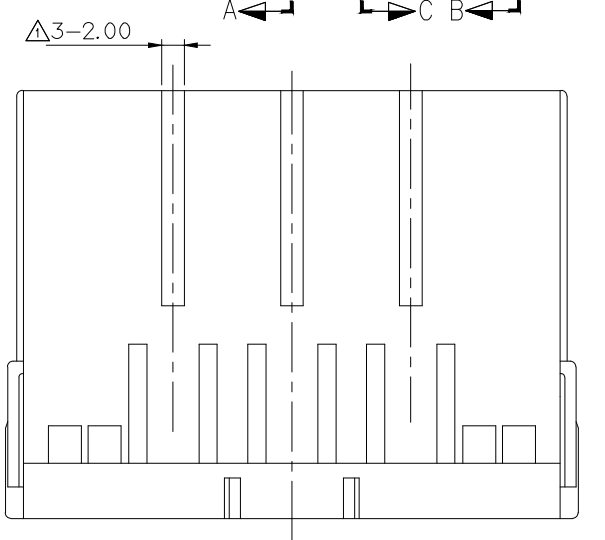
NO.	MATERIAL	COLOR
* 0	P B T	NATURAL
1		RED
* 2		BLUE
20		JADE
* 3		YELLOW
4		GRAY
40		DARK GRAY
41		LIGHT GRAY
5		BLACK
6		DARK GREEN
7		BROWN
8	LIGHT GREEN	
9	MAGENTA	
11	ORANGE	



SECTION A-A



SECTION C-C



NOTE

- MUST BE FREE OF BURR, WELDLINE AND IMPERFECTION THAT AFFECT FUNCTION.
- APPLICABLE TERMINAL: ST 740253,254,255(.250TYPE : 3 POLE )  
ST 740484,485(.070TYPE : 14 POLE )
- APPLICABLE HOUSING: MG610804 , R/H: MG630788
- 6 HAZARDOUS SUBSTANCES IN PARTS (LEAD, MERCURY, CADMIUM, HEXAVALENT CHROMIUM, PBDEs) SHALL NOT EXCEED THE MAXIMUM PERMISSIBLE CONCENTRATION PRESCRIBED UNDER EU ELV DIRECTIVE.

주 기

- 제품기능상 유해한 BURR, 변형 및 WELDLINE등이 없을 것.
- 적용 TERMINAL: ST 740253,254,255(.250TYPE : 3 POLE )  
ST 740484,485(.070TYPE : 14 POLE )
- 적용 HOUSING: MG610804 , R/H: MG630788
- 제품내 함유된 6대 유해물질 (납, 수은, 카드뮴, 6가 크롬, PBBs, PBDEs)은 EU ELV 지침 및 RoHS 법규에서 지정한 최대 허용 농도를 초과해서는 안된다.

**APPROVED**  
2018-12-10  
KOREA ELECTRIC  
TERMINAL CO., LTD.  
Korea Electric Te  
rminal Co., LTD.

ISSUE MARK

LTR				DR				CHK				APP				DATE			
REVISION RECORD				CHK				APP				DATE				TOLERANCE EXCEPT AS NOTED			
95.04.04				JJK				JJK				95.04.04				±0.2			
95.04.04				JJK				JJK				95.04.04				SCALE 2/1			
95.04.04				JJK				JJK				95.04.04				PART NAME			
95.04.04				JJK				JJK				95.04.04				2507 REC' HOUSING 17P			

**KIET** KOREA ELECTRIC  
TERMINAL CO., LTD.

CLASS  
TYPE

PART NO. MG620805