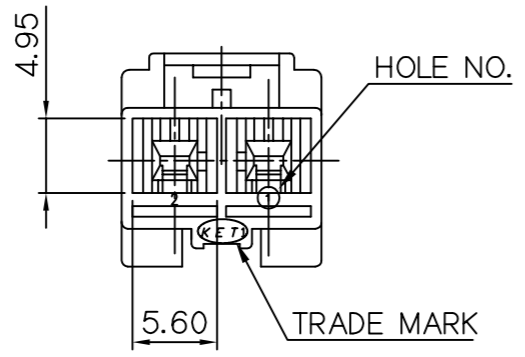
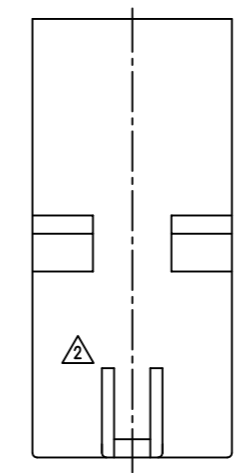
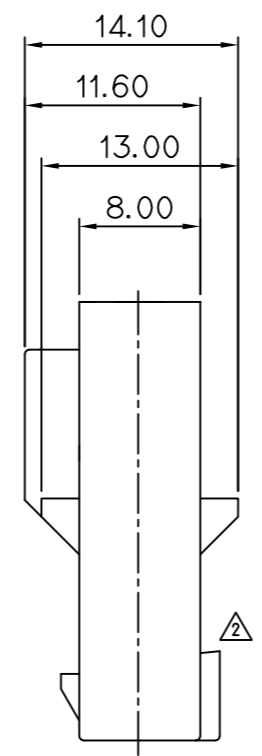
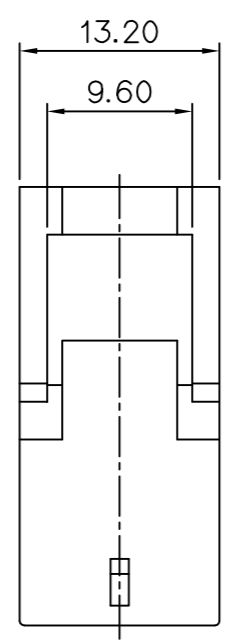
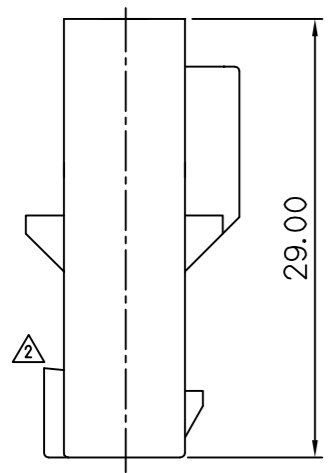
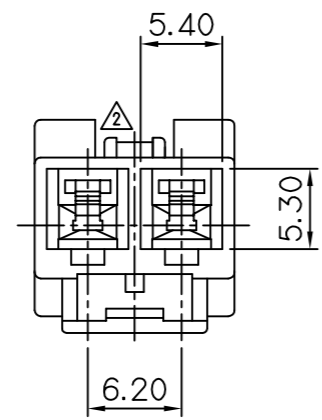


GENERAL TOLERANCE (HOUSING)					USED ON
10MAX	20MAX	45MAX	ANGLE	ECCENT	
±0.2	±0.25	±0.3	±30'	0.1	



NOTE

- MUST BE FREE OF BURR, WELDLINE AND IMPERFECTION THAT AFFECT FUNCTION.
- APPLICABLE TERMINAL : ST740690,691,692,693,871-3
HOUSING : MG611163
REAR HOLDER : MG631165
- HAZARDOUS SUBSTANCES IN PARTS (Lead, Mercury, Cadmium, Hexavalent Chromium, PBBs, PBDEs) SHALL NOT EXCEED THE MAXIMUM PERMISSIBLE CONCENTRATION PRESCRIBED UNDER EU ELV DIRECTIVE & RoHS REGULATION

주 기

- 기능상 유해한 BURR 및 WELDLINE 등이 없을 것.
- 적용 TERMINAL : ST740690,691,692,693,871-3
HOUSING : MG611163
REAR HOLDER : MG631165
- 제품 내 함유된 6대 유해물질 (납, 수은, 카드뮴, 6가 크롬 PBBs, PBDEs)은 EU ELV 지침 및 RoHS 법규에서 지정한 최대 허용농도를 초과해서는 안 된다.

PART NO.	MATERIAL
MG621164	PBT (V0급)
MG621164G	PBT (GWIT)

ISSUE MARK

		MATERIAL Δ SEE TABLE		KET KOREA ELECTRIC TERMINAL CO., LTD.			
		FINISH NATURAL					
Δ 3	설계사양변경서 S110128'근거 도면재작성	KSH	5/8	11.04.29	WIRE RANGE	CLASS	
Δ 2	설계사양변경서 S100006 근거 도면 재작성	PJM		10.01.08	INSULATION	TYPE	
Δ 1	설계사양변경서 S04074 근거 P/No. 추가			04.08.25			
LTR	REVISION RECORD	DR.	CHK.	APP.	DATE	TOLERANCE EXCEPT AS NOTED	
DR.	KO. 96.07.16	CHK.			07/16	SCALE 2/1	
CHK.		APP.			07/16	PART NO. MG621164/MG621164G	
						PART NAME	1806 D/L 2P REC HS'G