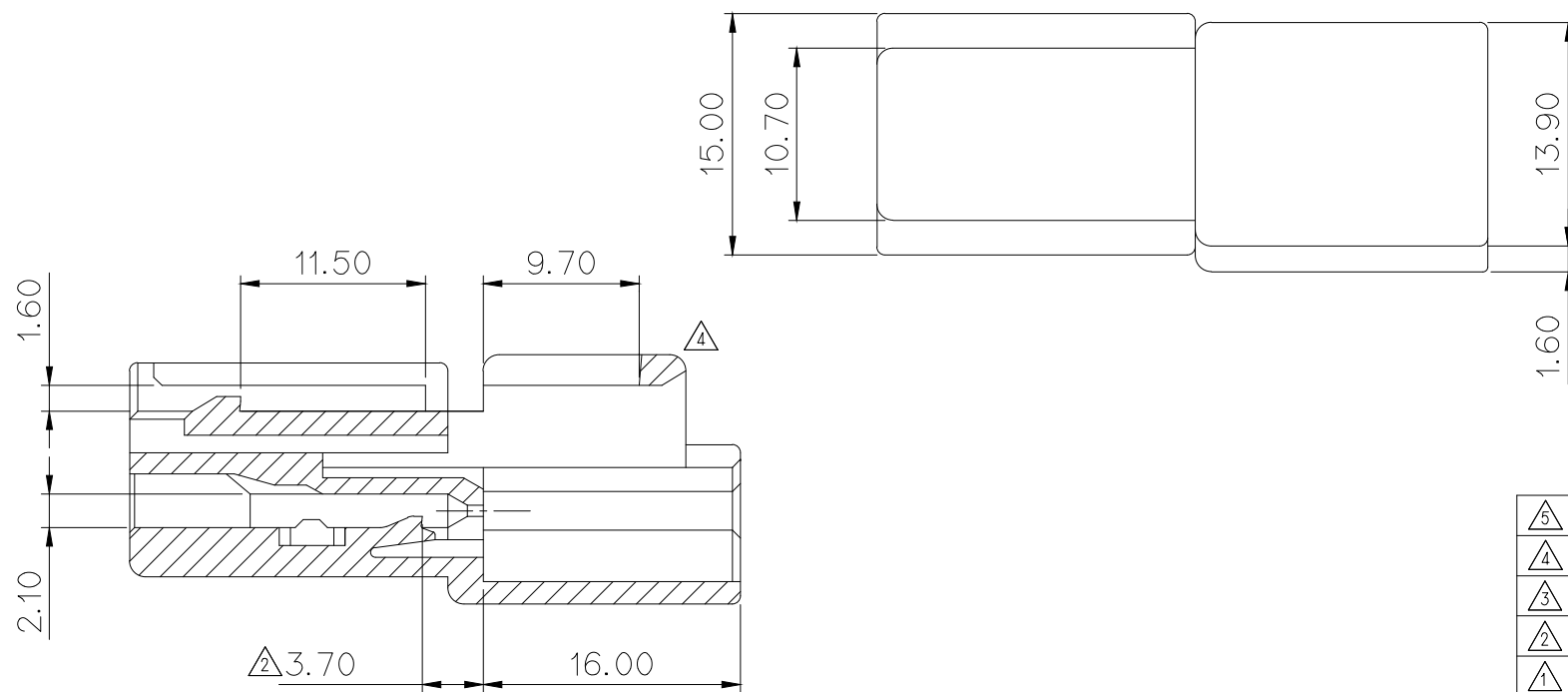
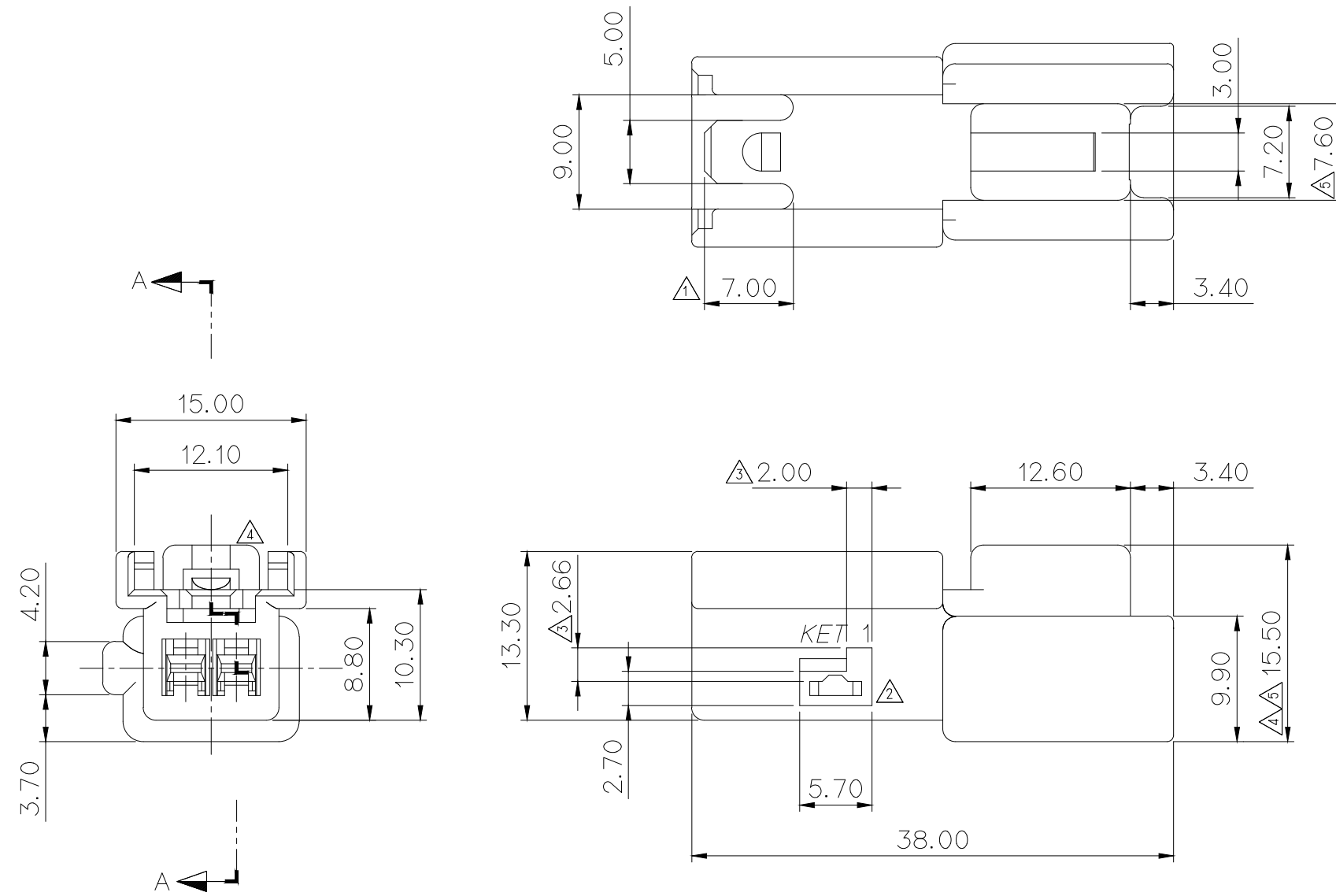


GENERAL TOLERANCE (HOUSING)							USED ON
10 MAX	50 MAX	100 MAX	250 MAX	250 VR	ANGLE	ECCENT	
±0.2	±0.3	±0.55	±0.95	±1.4	±30'	0.1	

**NOTE**

- MUST BE FREE OF BURR, WELDLINE AND IMPERFECTION THAT AFFECT FUNCTION.
- APPLICABLE TERMINAL :ST740672, 673, 674  
 APPLICABLE HOUSING :MG651026, MG611857  
 APPLICABLE SPACER :MG631859  
 APPLICABLE CLIP: MG631267, 631268, 631471, 632019



SECTION A-A

**주 기**

- 기능상 유해한 BURR 및 WELDLINE등이 없을것.
- 적용 TERMINAL: ST740672, 673, 674  
 적용 HOUSING: MG651026, MG611857  
 적용 SPACER: MG631859  
 적용 CLIP: MG631267, 631268, 631471, 632019

**APPROVED**  
 2018-12-10  
 KOREA ELECTRIC  
 TERMINAL CO., LTD.  
 Product Development Team 1

ISSUE MARK

5	ECO-1402-092 근거	SYC	CSH	CWK	'14.02.12	MATERIAL	SEE TABLE	KOREA ELECTRIC TERMINAL CO., LTD.
4	ECO-1211-059에 근거 도면 재작성	YM.K	CSH	HSH	'12.11.12	FINISH	NATURAL	
3	시방변경(020133)의거 도면 변경	LSY			'02.9.18	WIRE RANGE		CLASS .090
2	시방변경(020053)의거 도면 변경	LSY			'02.5.8	INSULATION		TYPE
1	시방변경(010166)의거 도면 변경	LSY			'01.09.18	TOLERANCE EXCEPT AS NOTED	SEE TABLE	SCALE 2/1
LTR	REVISION RECORD	DR.	CHK.	APP.	DATE	PART NAME	△.ASC 02M HOUSING	
	DR. WON. 00.08.21		CHK.		8/22			PART NO. MG621858
	CHK.		APP.		8/22			