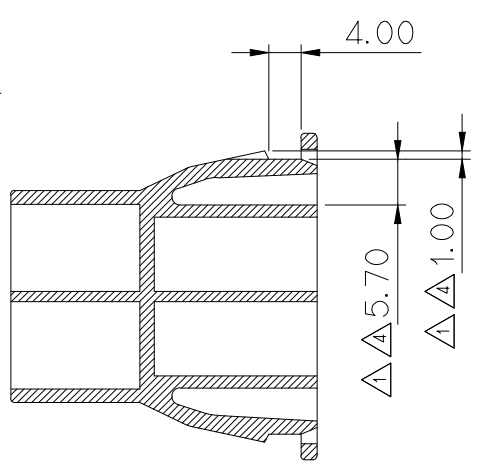
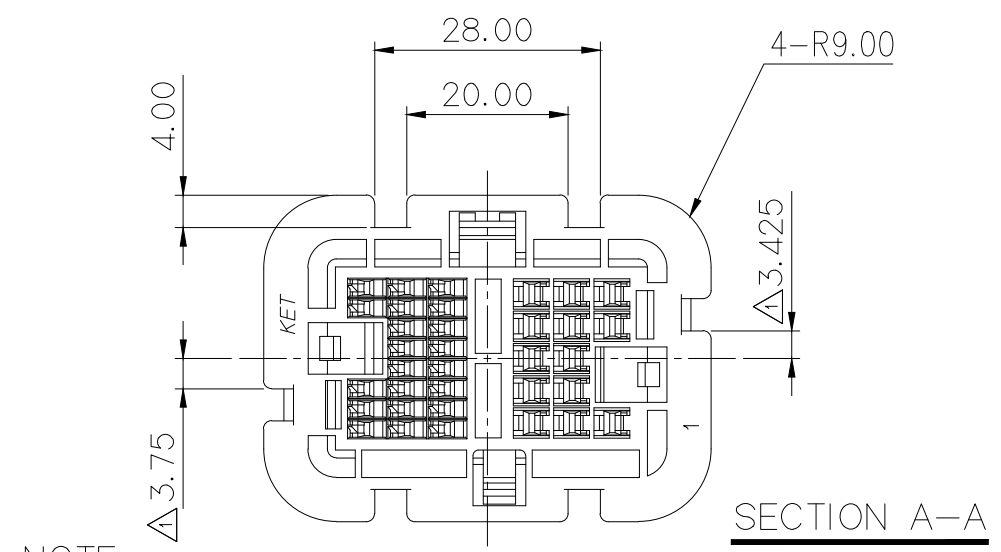


GENERAL TOLERANCE (HOUSING)							USED ON
10 MAX	50 MAX	100 MAX	250 MAX	250 VR	ANGLE	ECCENT	
±0.2	±0.3	±0.55	±0.95	±1.4	±30'	0.1	



**주 기**

- 기능상 유해한 BURR 및 WELDLINE 등이 없을 것.
- 적용 TERMINAL(090): ST740672, 673, 674  
적용 TERMINAL(050): ST740753  
적용 HOUSING: MG611985, MG611987  
적용 SPACER: MG631986, MG631988
- 제품내 함유된 6대 유해물질 (납, 수은, 카드뮴, 6가 크롬, PBBs, PBDEs)은 EU ELV 지침 및 RoHS 법규에서 지정한 최대 허용 농도를 초과해서는 안된다.



**NOTE**

- MUST BE FREE OF BURR, WELDLINE AND IMPERFECTION THAT AFFECT FUNCTION.
- APPLICABLE TERMINAL(090): ST740672, 673, 674  
APPLICABLE TERMINAL(050): ST740753  
APPLICABLE HOUSING: MG611985, MG611987  
APPLICABLE SPACER: MG631986, MG631988
- 6 HAZARDOUS SUBSTANCES IN PARTS (LEAD, MERCURY, CADMIUM, HEXAVALENT CHROMIUM, PBDEs) SHALL NOT EXCEED THE MAXIMUM PERMISSIBLE CONCENTRATION PRESCRIBED UNDER EU ELV DIRECTIVE.

**APPROVED**

**2018-12-10**

**KOREA ELECTRIC  
TERMINAL CO., LTD.**  
Korea Electric Terminal Co., LTD.

ISSUE MARK

④	물유입 방지 수정	CCW	KKJ	JJH	'03.05.13	MATERIAL	PBT	<b>KOREA ELECTRIC TERMINAL CO., LTD.</b>
③	HMC IN-LINE 작업성 개선 수정	WON	KKJ	JJH	'01.05.07	FINISH	NATURAL	
②	유격축소 및 SPACER HOLE 삭제	WON	KKJ	JJH	'01.04.09	WIRE RANGE	CLASS	.090III(13P)+050(21P)
①	물유입 방지 수정	WON	KKJ	JJH	'01.01.19	INSULATION	TYPE	HYBRID
LTR	REVISION RECORD	DR.	CHK.	APP.	DATE	TOLERANCE EXCEPT AS NOTED	SCALE	PART NO.
DR.	WON. 99.10.25	CHK.	KKJ		10.25	SEE TABLE	1/1	MG621989
CHK.		APP.	Watanabe		10.25	PART NAME	DOOR 34P REC. HOUSING	