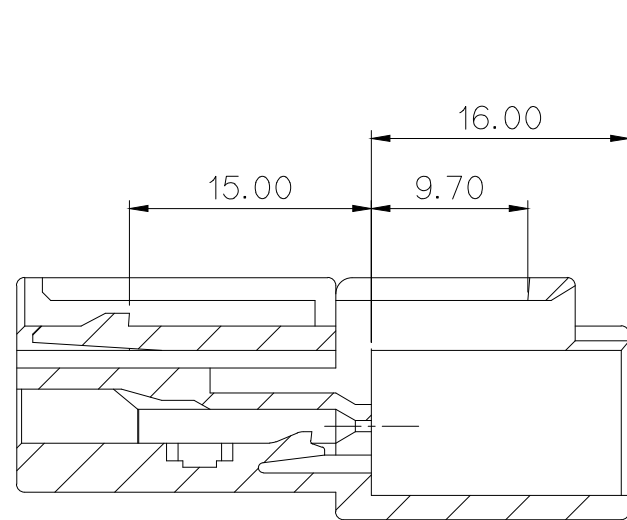
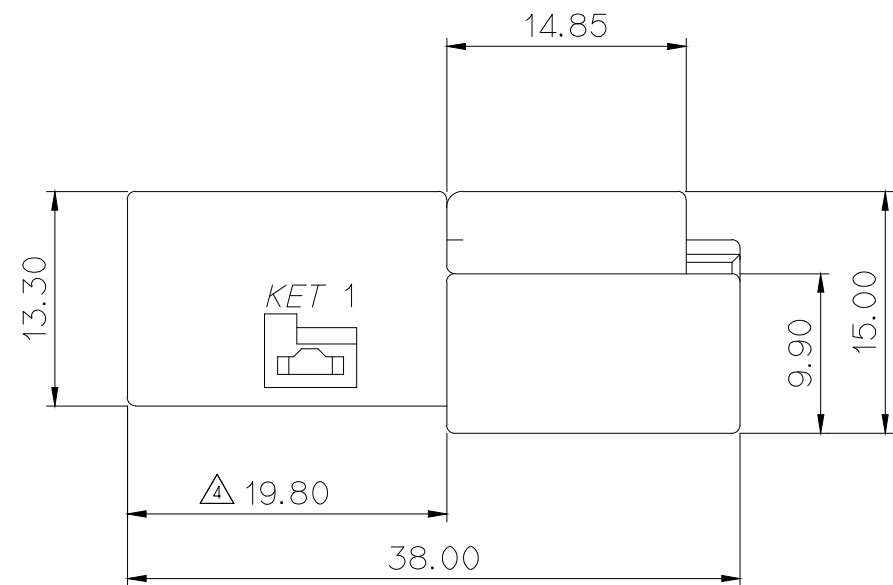
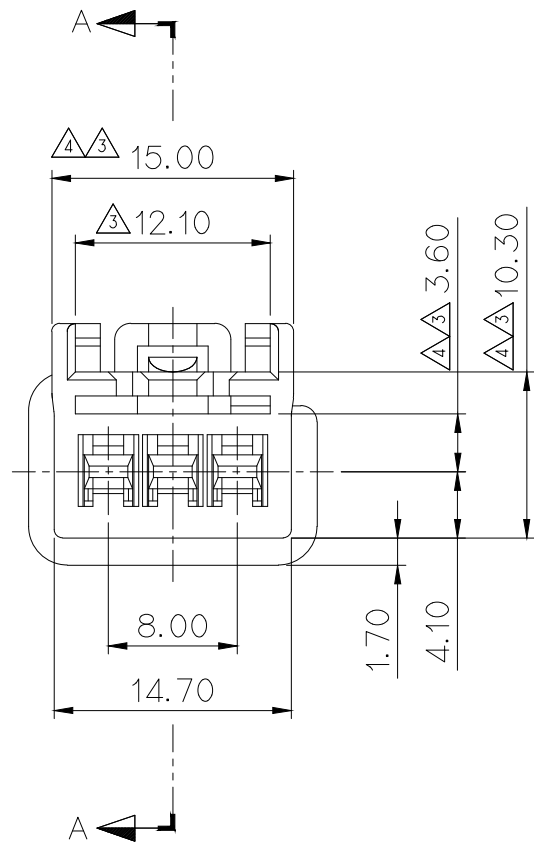
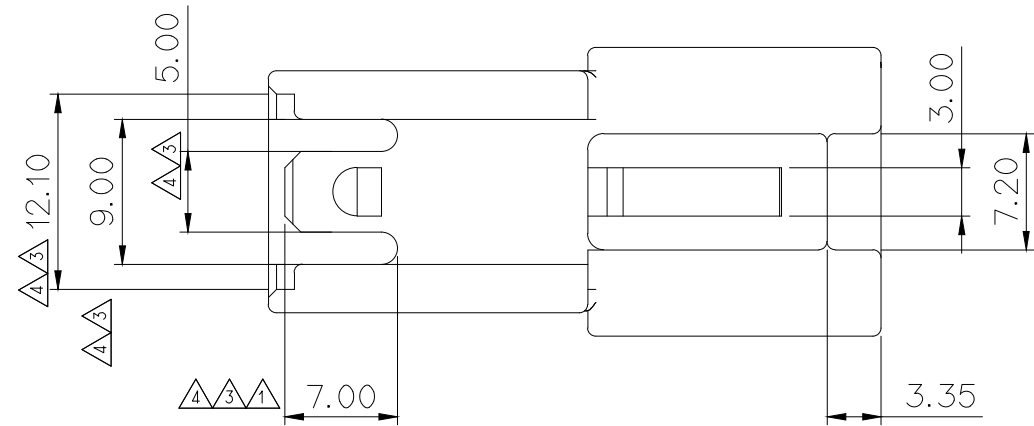
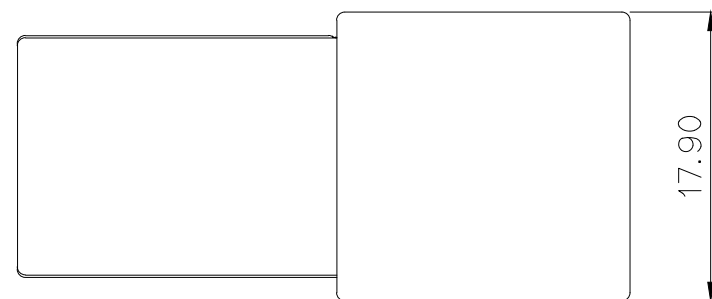


ISO VIEW



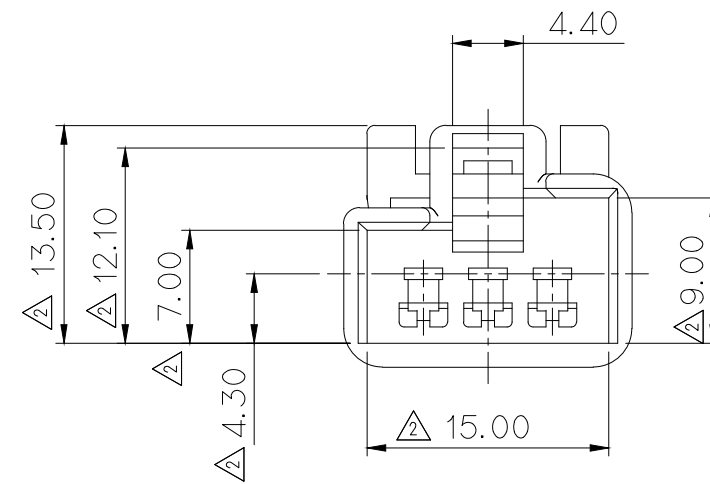
SECTION A-A



GENERAL TOLERANCE (HOUSING)					USED ON
10MAX	20MAX	45MAX	ANGLE	ECCENT	
±0.2	±0.25	±0.3	±30'	0.1	

NOTE

- MUST BE FREE OF BURR, WELDLINE AND IMPERFECTION THAT AFFECT FUNCTION.
- APPLICABLE TERMINAL : ST740672, 673, 674
APPLICABLE HOUSING : MG651032, MG612034
APPLICABLE SPACER : MG632036
APPLICABLE CLIP : MG631267, 631268, 631471, 632019
- 6 HAZARDOUS SUBSTANCES IN PARTS (LEAD, MERCURY, CADMIUM, HEXAVALENT CHROMIUM, PBBs, PBDEs) SHALL NOT EXCEED THE MAXIMUM PERMISSIBLE CONCENTRATION PRESCRIBED UNDER EU ELV DIRECTIVE & RoHS REGULATION.



NO.	MATERIAL	COLOR
0	P B T	NATURAL
1		RED
2		BLUE
20		JADE
3		YELLOW
4		GRAY
40		DARK GRAY
41		LIGHT GRAY
5		BLACK
6		DARK GREEN
7		BROWN
8	LIGHT GREEN	
9	MAGENTA	
11	ORANGE	

주 기

- 기능상 유해한 BURR 및 WELDLINE 등이 없을 것.
- 적용 TERMINAL: ST740672, 673, 674
적용 HOUSING: MG651032, MG612034
적용 SPACER: MG632036
적용 CLIP: MG631267, 631268, 631471, 632019
- 제품내 함유된 6대 유해물질 (납, 수은, 카드뮴, 6가크롬, PBBs, PBDEs)은 EU ELV 지침 및 RoHS 법규에서 지정한 최대 허용 농도를 초과해서는 안 된다.

APPROVED

2017-08-10

KOREA ELECTRIC
TERMINAL CO., LTD.
Korea Electric Terminal Co., LTD.

ISSUE MARK

4	제품도 환원 및 신규P/NO생성	원	KKJ	JJH	'03.01.10	MATERIAL	SEE TABLE	KOREA ELECTRIC TERMINAL CO., LTD.	
3	HMC 요청 CLIP결합부 위치변경	원	KKJ	JJH	'02.11.29	FINISH	SEE TABLE		
2	SPACER 오조립 방지 및 유격 개선	LSY	KKJ	JJH	'02.05.29	WIRE RANGE		CLASS .090	
1	시방변경(010164)근거 도면 변경	LSY	KKJ	JJH	'01.09.18	INSULATION		TYPE	
LTR	REVISION RECORD	DR.	CHK.	APP.	DATE	TOLERANCE EXCEPT AS NOTED	SEE TABLE	SCALE 2/1	PART NO. MG622035
DR.	WON. 00.08.21	CHK.	KKJ		8/22	PART NAME	ASC 03M HOUSING		
CHK.		APP.	CHOSH		8/22				