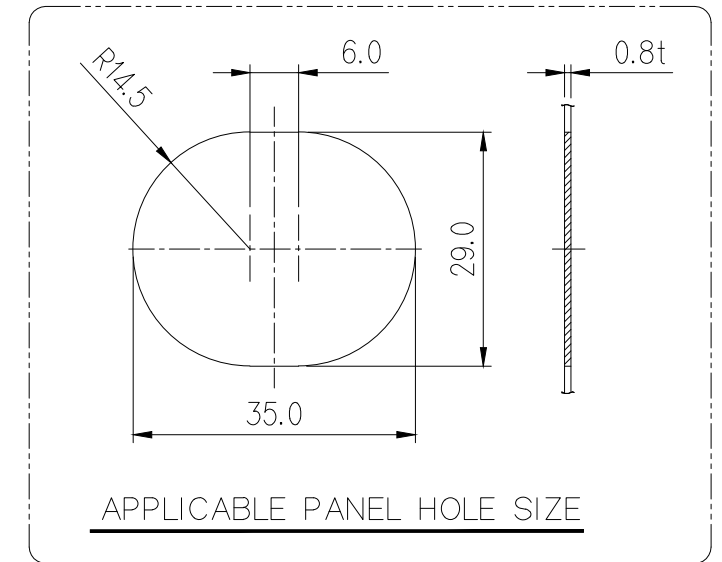


GENERAL TOLERANCE (HOUSING)					USED ON
10MAX	20MAX	45MAX	ANGLE	ECCENT	
±0.2	±0.25	±0.3	±30'	0.1	



주 기

1. 기능상 유해한 거스러미 또는 수축등이 없을 것.
2. 적용 SPACER : MG632073 (DOOR 10P REC. SIDE SPACER)
3. 적용 TERMINAL : ST740672, 673, 674 (.090II TAB TM'L)
4. 상대 적용 HOUSING : MG651056 (.090 II 10P PLUG ASS'Y)

APPROVED

2016-03-09

**KOREA ELECTRIC
TERMINAL CO., LTD.
Connector Development
Team 1**

ISSUE MARK

					MATERIAL	PBT	KET KOREA ELECTRIC ENGINEERED TERMINAL CO., LTD.
					FINISH	NATURAL	
\triangle	ECO-1505-081 근거 도면 재작성	LJW	HYJ	LSY	2015.05.11	WIRE RANGE	CLASS
\triangle	Rework 작업성 증대 (ECO-1502-089)에 근거	ASY	HYJ	LSY	2015.02.04	INSULATION	TYPE
\triangle	시방변경 통보서 010078 근거 재 작성	HEO			2001.05.28		
LTR	REVISION RECORD	DR.	CHK.	APP.	DATE	TOLERANCE EXCEPT AS NOTED	SCALE
	DR. HEO '00. 07. 22		CHK. <i>[Signature]</i> 7/22			SEE TABLE	2/1
CHK.			APP. <i>[Signature]</i> 7/22			PART NAME	PART NO. \triangle MG622072-N
							DOOR 10P REC. HS'G