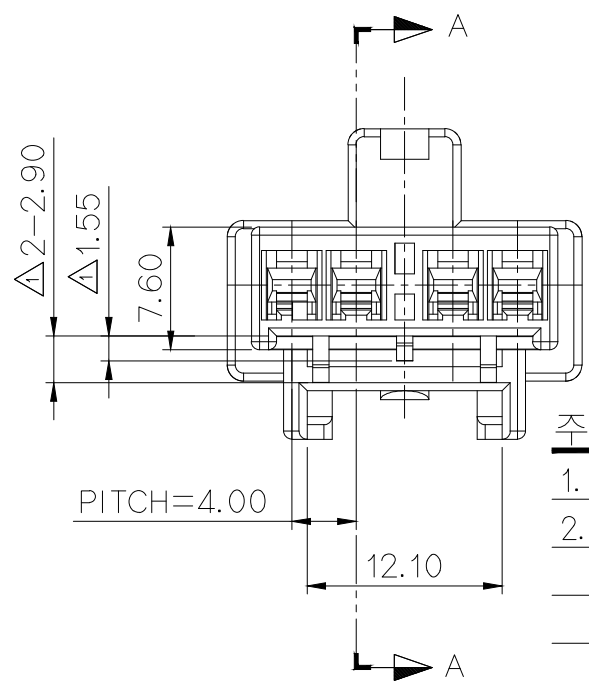


GENERAL TOLERANCE (HOUSING)							USED ON
10 MAX	50 MAX	100 MAX	250 MAX	250 VR	ANGLE	ECCENT	
±0.2	±0.3	±0.55	±0.95	±1.4	±30'	0.1	

NO.	MATERIAL	COLOR
* 0	P B T	NATURAL
1		RED
2		BLUE
20		JADE
△ * 3		YELLOW
4		GRAY
40		DARK GRAY
41		LIGHT GRAY
△ * 5		BLACK
6		DARK GREEN
7		BROWN
8	LIGHT GREEN	
9	MAGENTA	
11	ORANGE	



주 기

- 기능상 유해한 BURR 및 WELDLINE 등이 없을 것.
- 적용 TERMINAL: ST740672, 673, 674
적용 HOUSING: MG612225, 651038
적용 SPACER: MG632227
적용 CLIP: MG631267, 631268, 631471, 632019
- △ 3. 제품내 함유된 6대 유해물질 (납, 수은, 카드뮴, 6가크롬, PBBs, PBDEs)은 EU ELV 지침 및 RoHS 법규에서 지정한 최대 허용 농도를 초과해서는 안된다.

NOTE

- MUST BE FREE OF BURR, WEIDLINE AND IMPERFECTION THAT AFFECT FUNCTION.
- APPLICABLE TERMINAL: ST740672, 673, 674
APPLICABLE HOUSING: MG612225, 651038
APPLICABLE SPACER: MG632227
APPLICABLE CLIP: MG631267, 631268, 631471, 632019
- △ 3. 6 HAZARDOUS SUBSTANCES IN PARTS (LEAD, MERCURY, CADMIUM, HEXAVALENT CHROMIUM, PBBs, PBDEs) SHALL NOT EXCEED THE MAXIMUM PERMISSIBLE CONCENTRATION PRESCRIBED UNDER EU ELV DIRECTIVE & RoHS REGULATION.

APPROVED
2021-11-03
KOREA ELECTRIC
TERMINAL CO., LTD.
Korea Electric Te
rminal Co., LTD.

ISSUE MARK

		MATERIAL		SEE TABLE	KET KOREA ELECTRIC ENGINEERED TERMINAL CO., LTD.
		FINISH		SEE TABLE	
△ 3	ECO-2109-040 큰거 도면 재작성	LND	KSC	HYJ	'21.09.08
△ 2	클리프번호 추가 (ECO-1406-132) 큰거	KCS	HYJ	LSY	'14.06.18
△ 1	설계시양변경(S070226)큰거 도면 재작성 (GUIDE형상 추가 및 오기정정)	KBS	HSH	KKJ	'07.10.11
LTR	REVISION RECORD	DR.	CHK.	APP.	DATE
DR.	WON. 2000.6.14	CHK.	KIM.KJ		6.15
CHK.		APP.	CHO.SH		6.15
		TOLERANCE EXCEPT AS NOTED		SEE TABLE	SCALE 2/1
		PART NAME		ASC 4M HOUSING	
		PART NO.		MG622226	