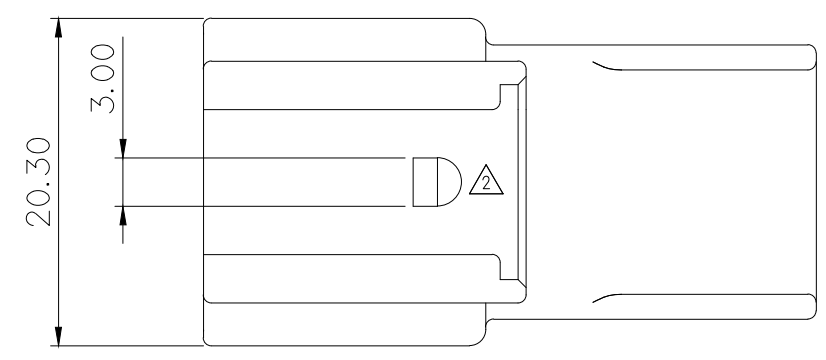
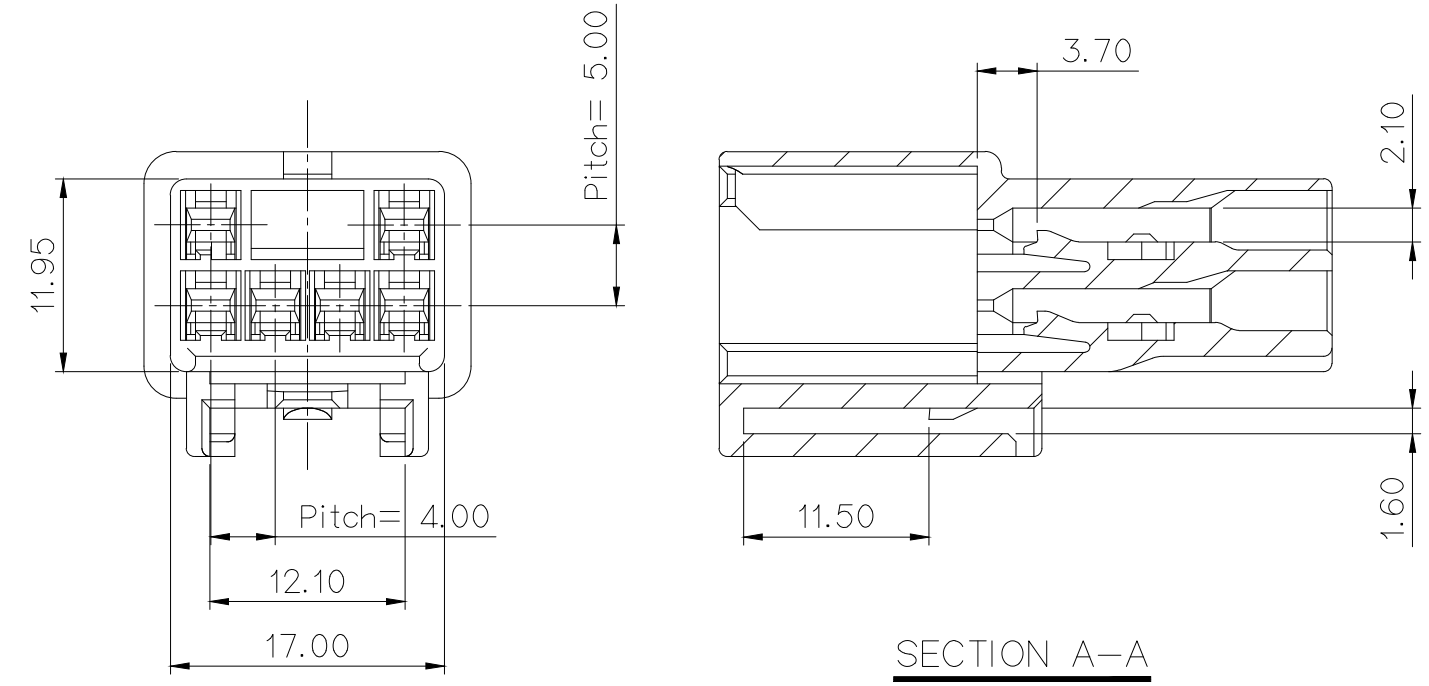
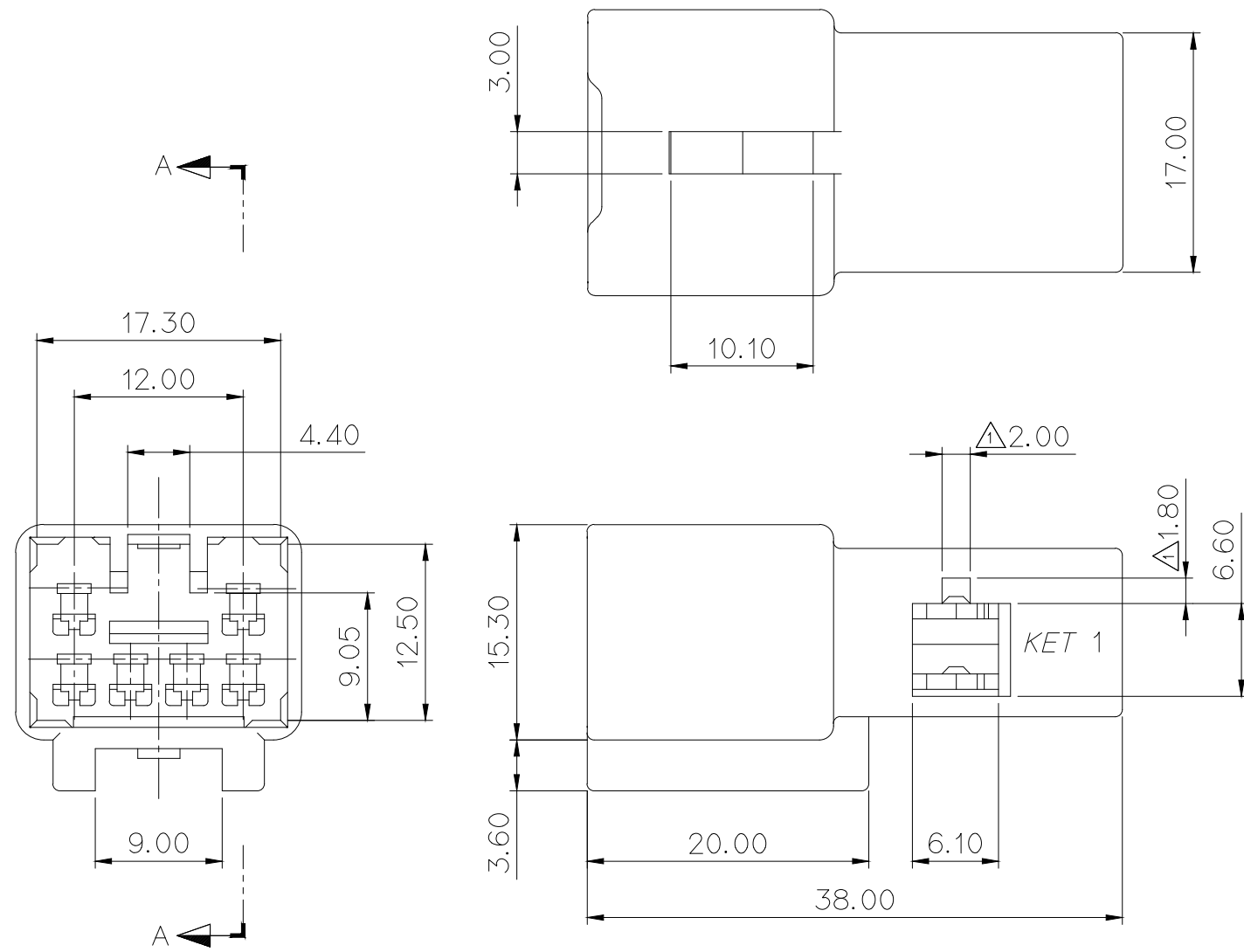


GENERAL TOLERANCE (HOUSING)					USED ON
10MAX	20MAX	45MAX	ANGLE	ECCENT	
±0.2	±0.25	±0.3	±30'	0.1	



**NOTE**

- MUST BE FREE OF BURR, WELDLINE AND IMPERFECTION THAT AFFECT FUNCTION.
- APPLICABLE TERMINAL: ST740672, 673, 674  
APPLICABLE HOUSING: MG612228, 651044  
APPLICABLE SPACER: MG632230  
APPLICABLE CLIP: MG631267, 631268, 631471, 632019
- 6 HAZARDOUS SUBSTANCES IN PARTS (LEAD, MERCURY CADMIUM, HEXAVALENT CHROMIUM, PBBs, PBDEs) SHALL NOT EXCEED THE MAXIMUM PERMISSVLE CONCENTRATION PRESCRIBED UNDER EU ELV DIRECTIVE & RoHS REGULATION.

**주 기**

- 기능상 유해한 BURR 및 WELDLINE 등이 없을것.
- 적용 TERMINAL: ST740672, 673, 674  
적용 HOUSING: MG612228, MG651044  
적용 SPACER: MG632230  
적용 CLIP: MG631267, 631268, 631471, 632019
- 제품내 함유된 6대 유해물질 (납, 수은, 카드뮴, 6가크롬, PBBs, PBDEs)은 EU ELV 지침 및 RoHS 법규에서 지정한 최대 허용 농도를 초과해서는 안된다.



ISSUE MARK

					MATERIAL	PBT	<b>KET</b> KOREA ELECTRIC ENGINEERED TERMINAL CO., LTD.
					FINISH	NATURAL	
					WIRE RANGE		CLASS .090
					INSULATION		TYPE
LTR	REVISION RECORD	DR.	CHK.	APP.	DATE	TOLERANCE EXCEPT AS NOTED	SCALE 2/1
	WON. 2002.4.11	CHK.	KKJ		4/15	SEE TABLE	PART NO. MG622229
		CHK.	CSH		4/15	PART NAME	ASC 06M HOUSING