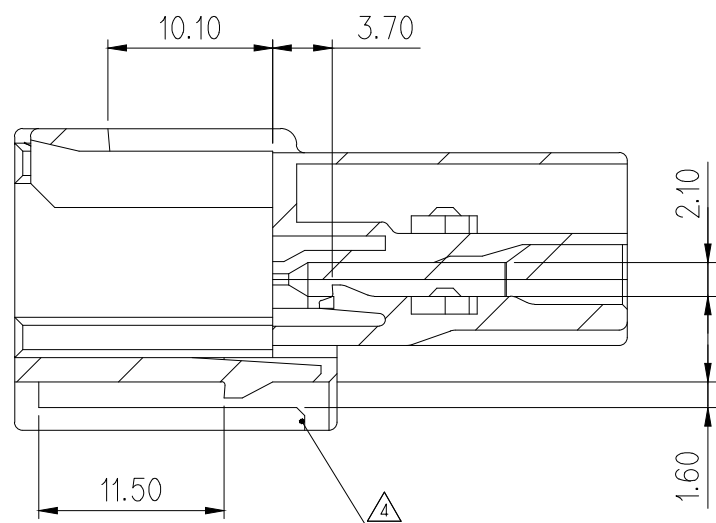
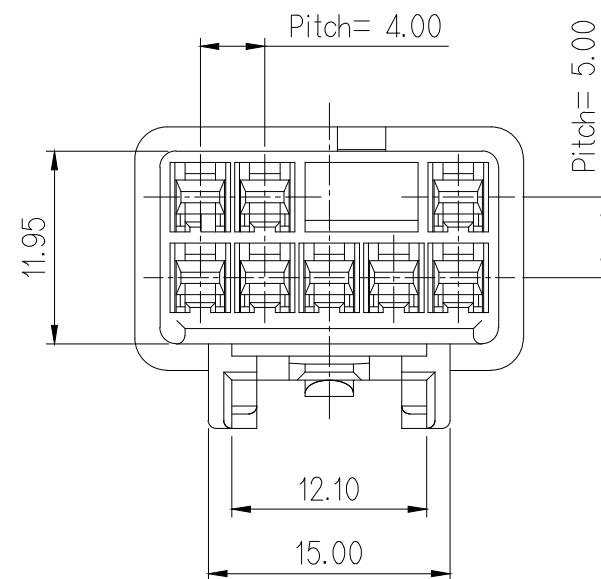
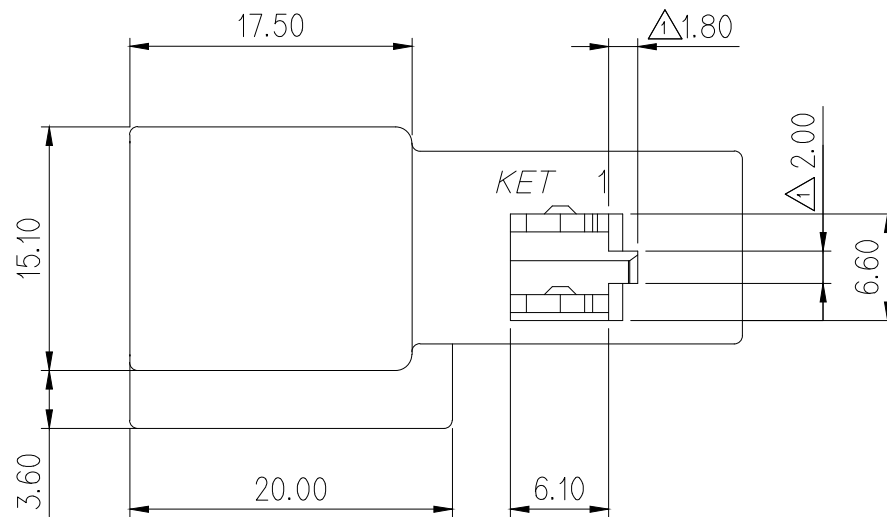
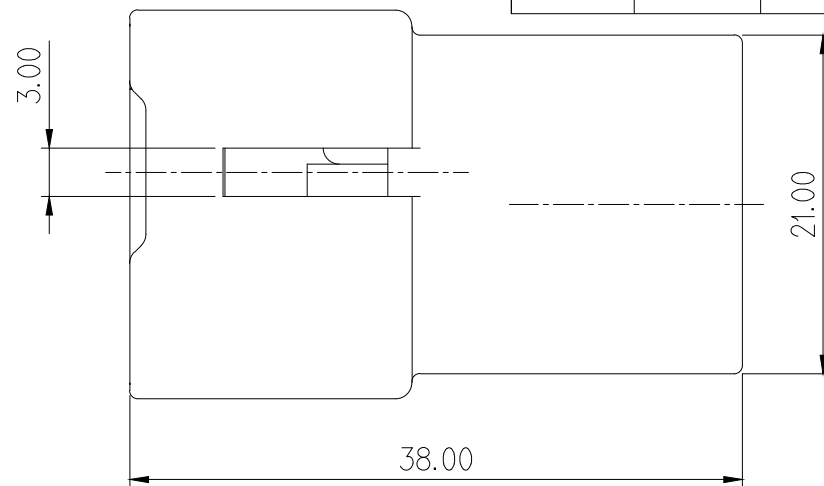
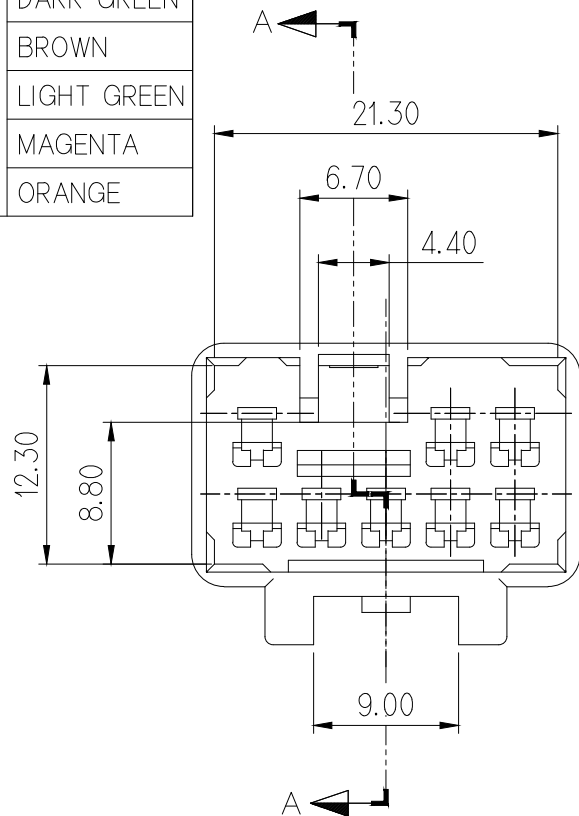
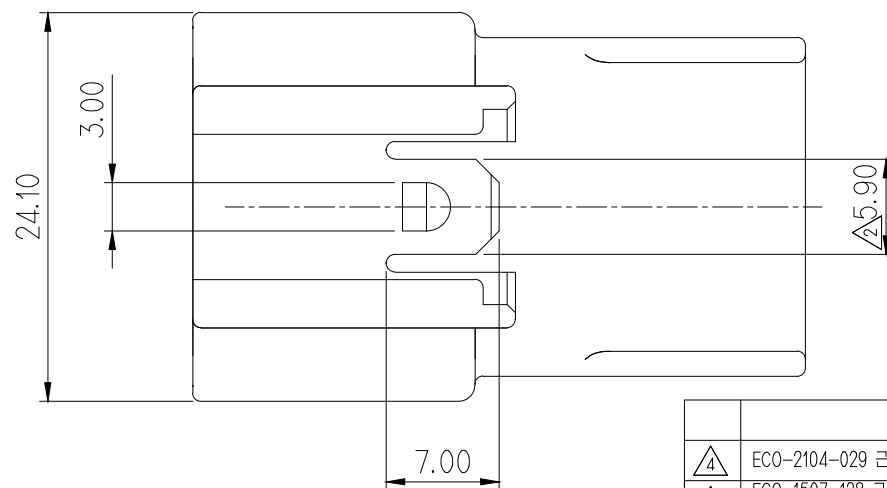


NO.	MATERIAL	COLOR
* 0	P B T	NATURAL
* 1		RED
* 2		BLUE
20		JADE
3		YELLOW
4		GRAY
40		DARK GRAY
41		LIGHT GRAY
* 5		BLACK
6		DARK GREEN
7		BROWN
8	LIGHT GREEN	
9	MAGENTA	
11	ORANGE	



SECTION A-A



GENERAL TOLERANCE (HOUSING)

10MAX	30MAX	50MAX	70MAX	100MAX	120MAX	250MAX	250VR	ANGLE	ECCENT	USED ON
±0.15	±0.2	±0.3	±0.4	±0.5	±0.75	±0.9	±1.4	±30'	0.1	

NOTE

- MUST BE FREE OF BURR, WELDLINE AND IMPERFECTION THAT AFFECT FUNCTION.
- APPLICABLE TERMINAL : ST740672, 673, 674  
APPLICABLE HOUSING : MG612231, MG651050  
APPLICABLE SPACER : MG6322335  
APPLICABLE CLIP : MG631267, 631268, 631471, 632019
- 6 HAZARDOUS SUBSTANCES IN PARTS (LEAD, MERCURY, CADMIUM, HEXAVALENT CHROMIUM, PBBs, PBDEs) SHALL NOT EXCEED THE MAXIMUM PERMISSIBLE CONCENTRATION PRESCRIBED UNDER EU ELV DIRECTIVE

주 기

- 기능상 유해한 BURR 및 WELDLINE 등이 없을 것.
- 적용 TERMINAL : ST740672, 673, 674  
적용 HOUSING : MG612231, MG651050  
적용 SPACER : MG632233  
적용 CLIP : MG631267, 631268, 631471, 632019
- 제품내 함유된 6대 유해물질 (납, 수은, 카드뮴, 6가크롬, PBBs, PBDEs)은 EU ELV 지침 및 RoHS 법규에서 지정한 최대 허용 농도를 초과해서는 안된다.

APPROVED

2021-10-18

KOREA ELECTRIC  
TERMINAL CO., LTD.  
Korea Electric Te  
rminal Co., LTD.

ISSUE MARK

ECO-2104-029 근거 도면 재작성	STJ	KSC	CJH	'21.04.07	MATERIAL	SEE TABLE	KOREA ELECTRIC TERMINAL CO., LTD.
ECO-1507-128 근거 도면 재작성 (색상 테이블 추가)	SY.L	CKY	LSY	'15.07.07	FINISH	SEE TABLE	
시방 변경근거(050093) 도면 변경	MKNO	KKJ	CJH	05.04.20	WIRE RANGE		CLASS .090
SPACER 오조립 방지	LSY	KKJ	CJH	'15.07.07	INSULATION		TYPE
LTR	DR.	CHK.	APP.	DATE	TOLERANCE EXCEPT AS NOTED	SCALE 2/1	PART NO. MG622232
DR. WON. 2001.08.22	CHK. KKJ			8/23	PART NAME	ASC 8M HOUSING	
CHK.	APP. CHOSH			8/23			