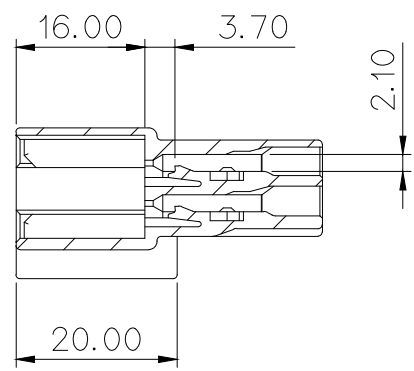
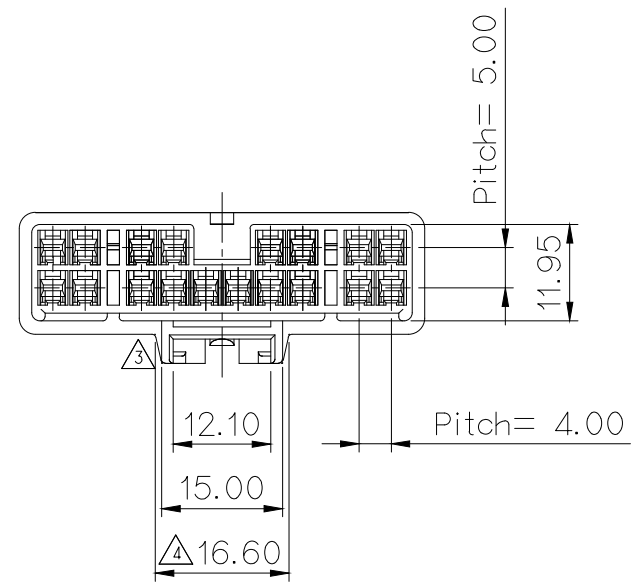
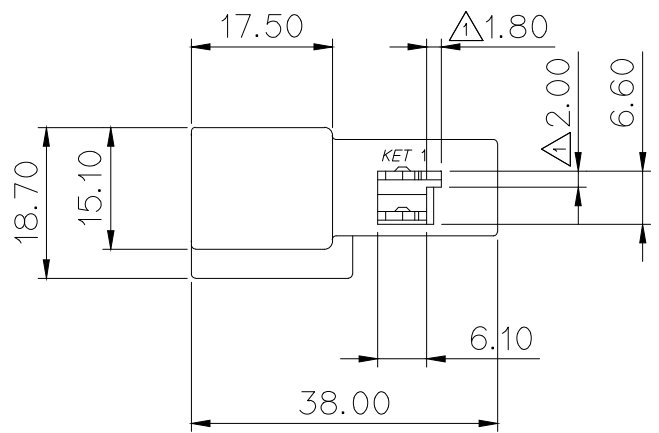
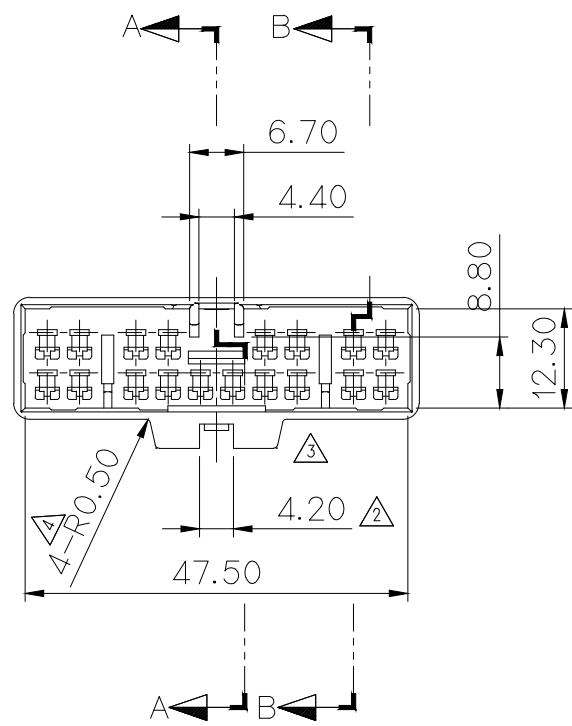
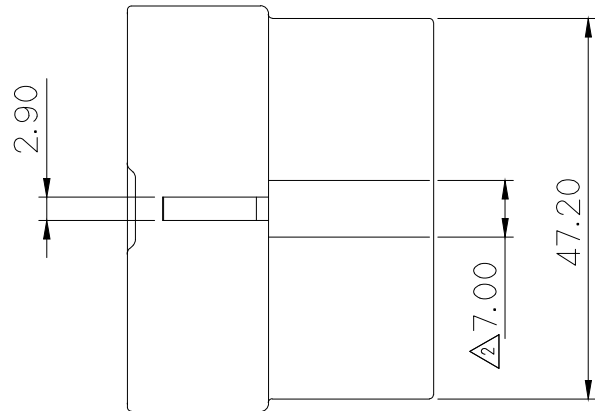
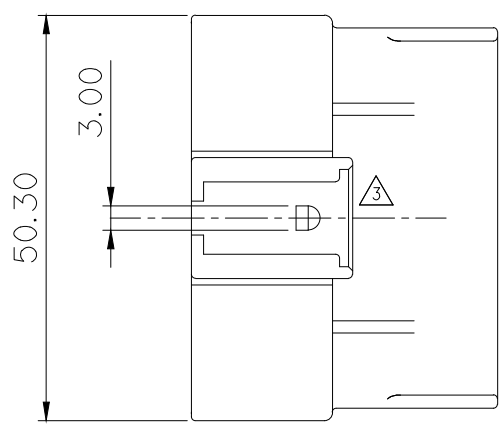


SECTION A-A



SECTION B-B



GENERAL TOLERANCE (HOUSING)					USED ON
10MAX	20MAX	45MAX	ANGLE	ECCENT	
±0.2	±0.25	±0.3	±30'	0.1	

NOTE

- MUST BE FREE OF BURR, WEIDLIN AND IMPERFECTION THAT AFFECT FUNCTION.
- APPLICABLE TERMINAL: ST740672, 673, 674
 APPLICABLE HOUSING: MG612246
 APPLICABLE SPACER: MG632249
 APPLICABLE CLIP: MG631267, 631268, 631471, 632019

주 기

- 기능상 유해한 BURR 및 WELDLINE 등이 없을 것.
- 적용 TERMINAL: ST740672, 673, 674
 적용 HOUSING: MG612246
 적용 SPACER: MG632249
 적용 CLIP: MG631267, 631268, 631471, 632019

APPROVED

2018-12-07

KOREA ELECTRIC TERMINAL CO., LTD.
Product Development Team 1

ISSUE MARK

4	ECO-1405-025 근거 도면 재작성	ASY	HYJ	HJB	'14.05.09	MATERIAL	PBT	KOREA ELECTRIC TERMINAL CO., LTD.
3	ECO-1111-071 근거 도면 재작성 (CLIP 실 높이 축소 / 체결부 실 추가)	AJH			'11.11.08	FINISH	NATURAL	
2	CLIP부 및 외관수정	元			02.12.10	WIRE RANGE		CLASS .090
1	SPACER 오조립 방지	LSY			2002.5.29	INSULATION		TYPE
LTR	REVISION RECORD	DR.	CHK.	APP.	DATE	TOLERANCE EXCEPT AS NOTED	SCALE 1/1	PART NO. MG622248
DR.	WON. 2001.08.22	CHK.			8/23	PART NAME	ASC 18M HOUSING	
CHK.		APP.			8/23			