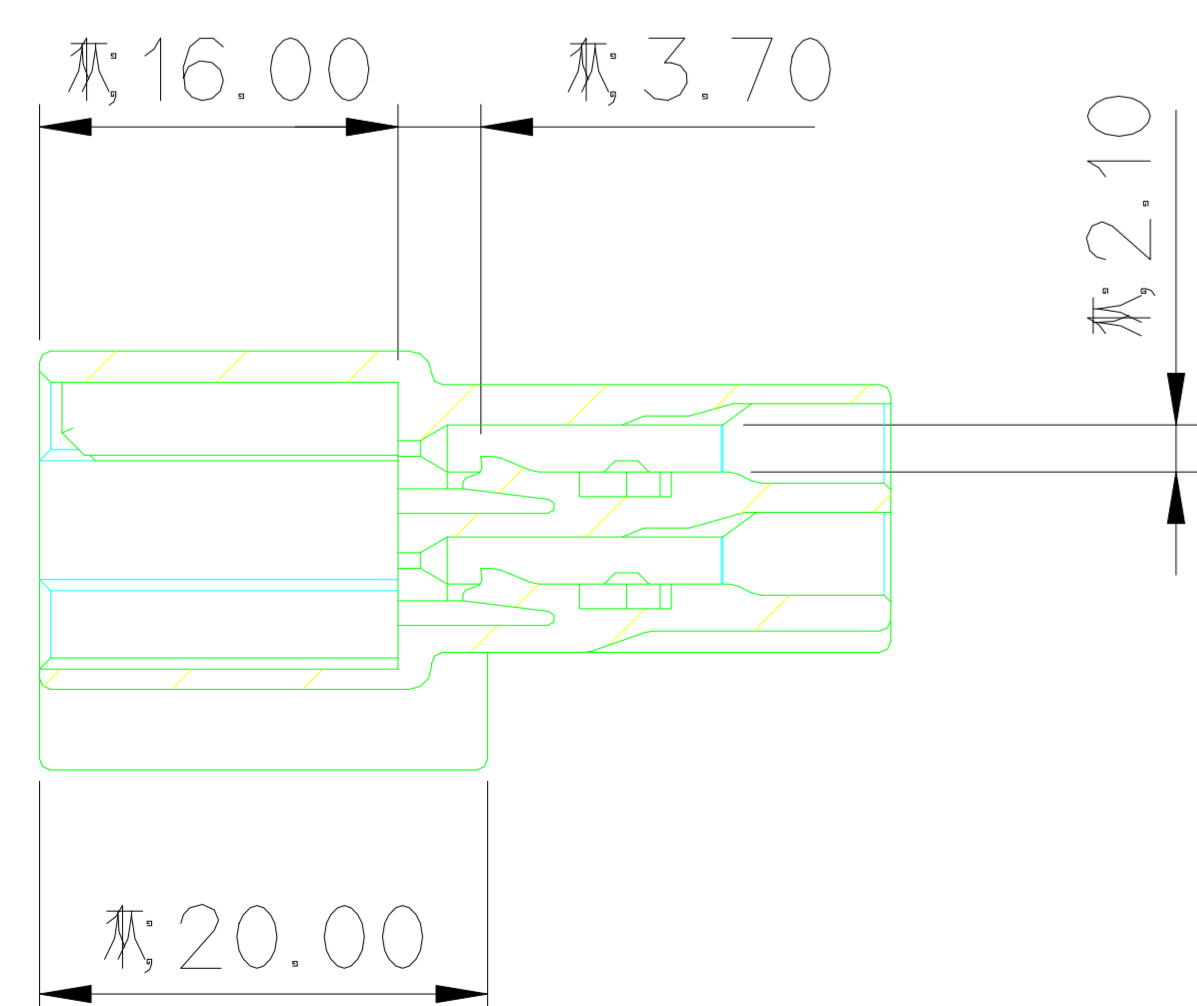
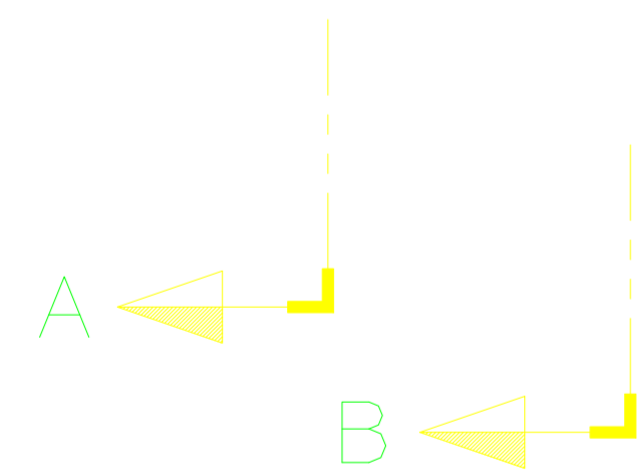
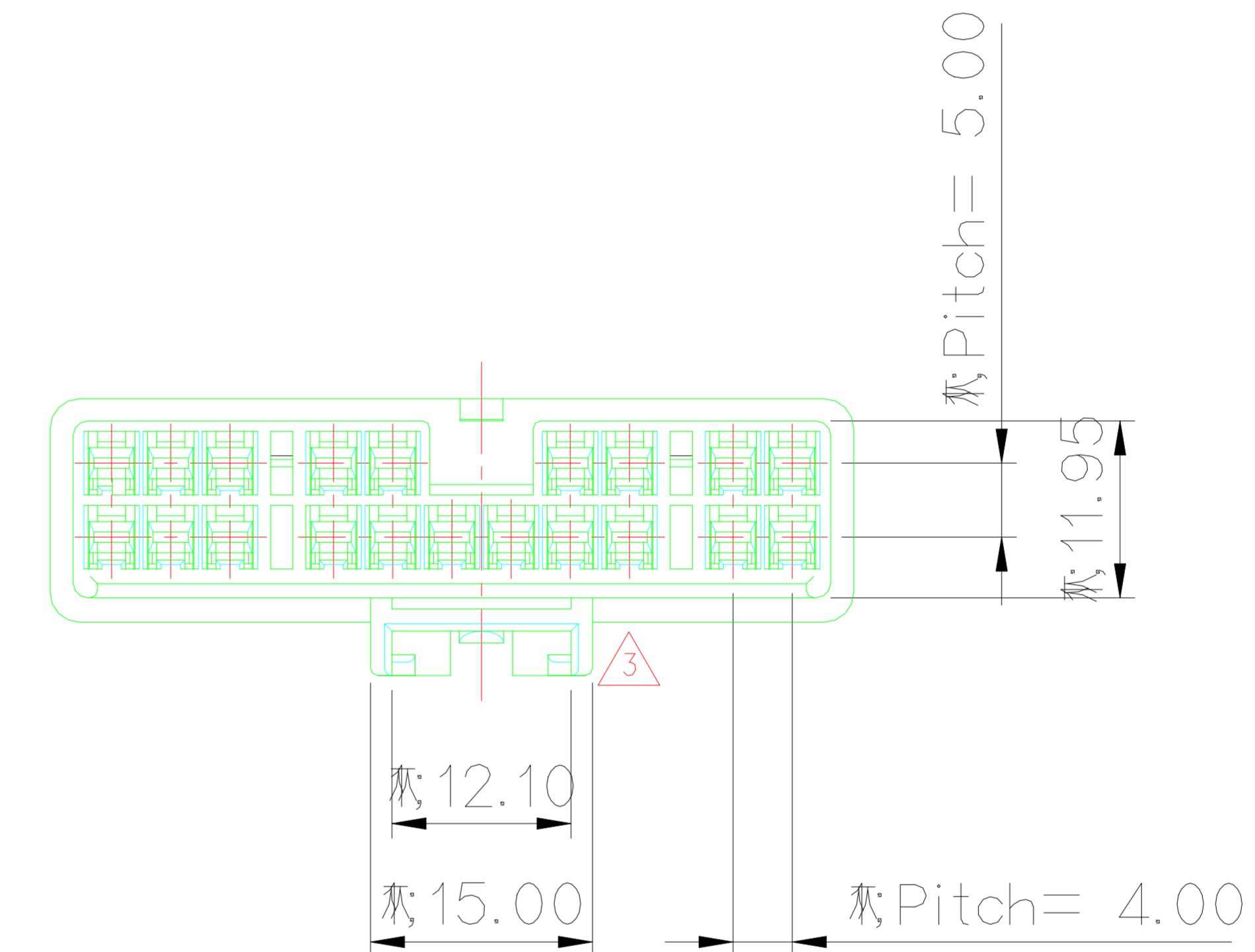
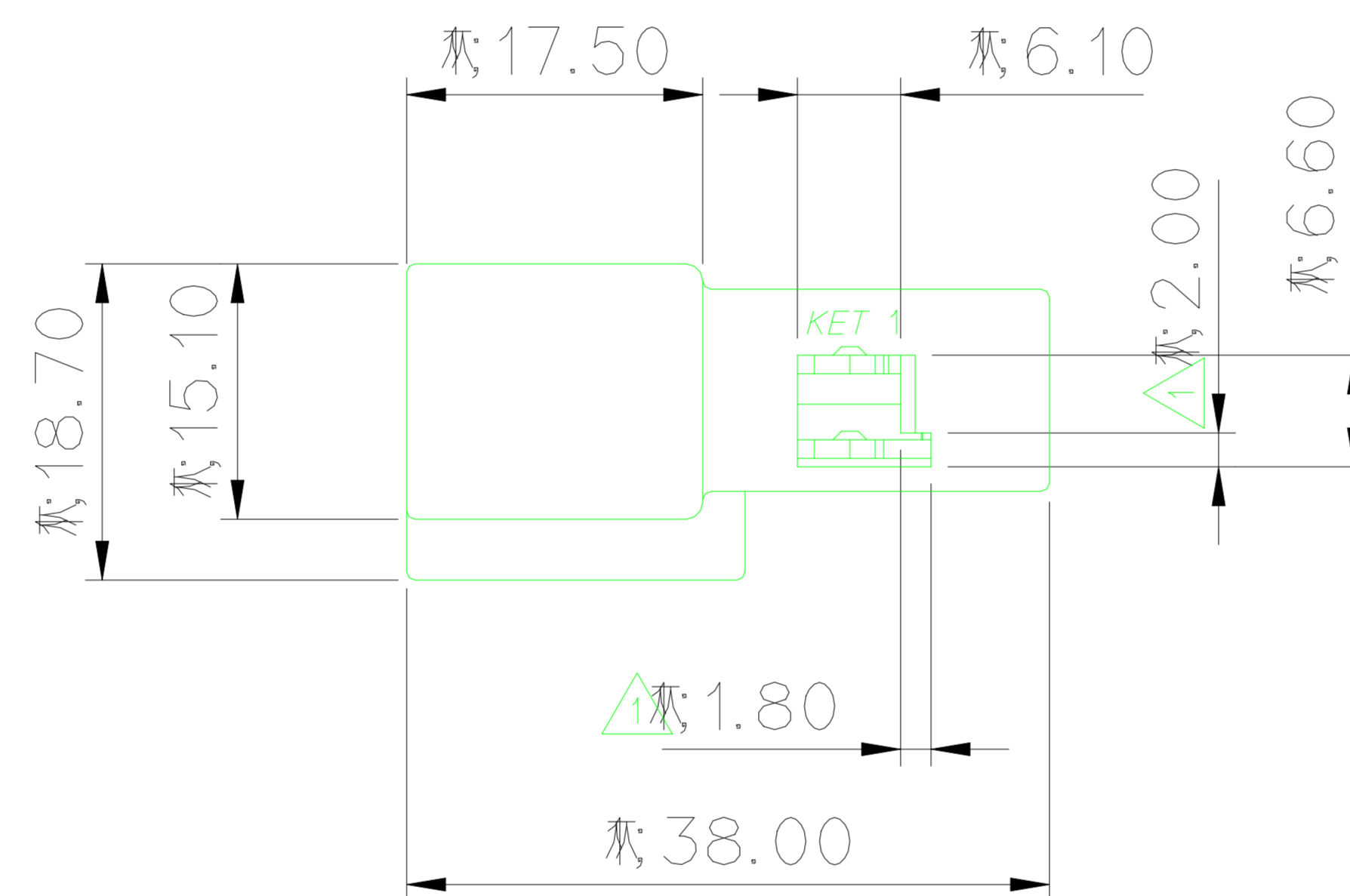
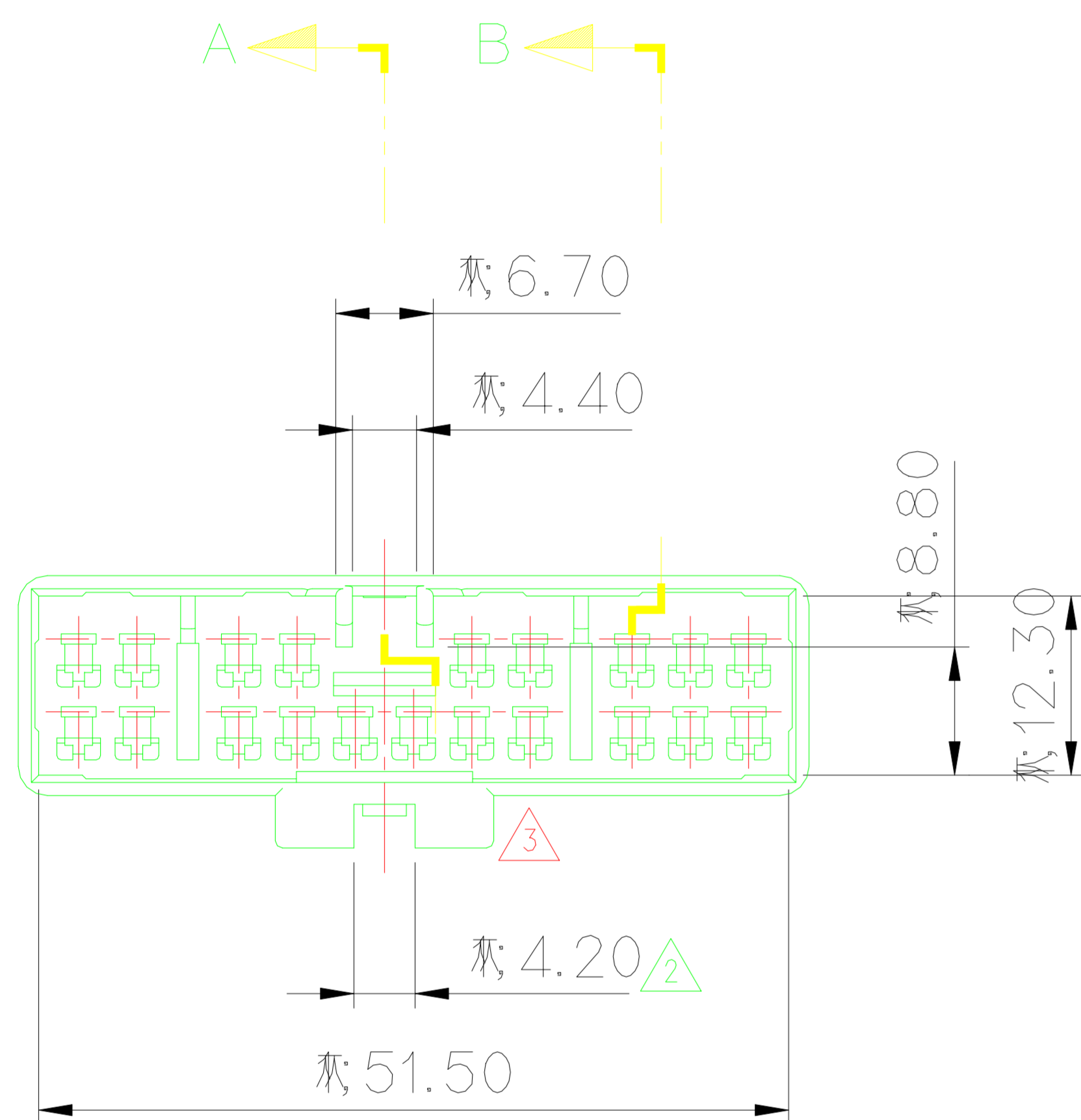
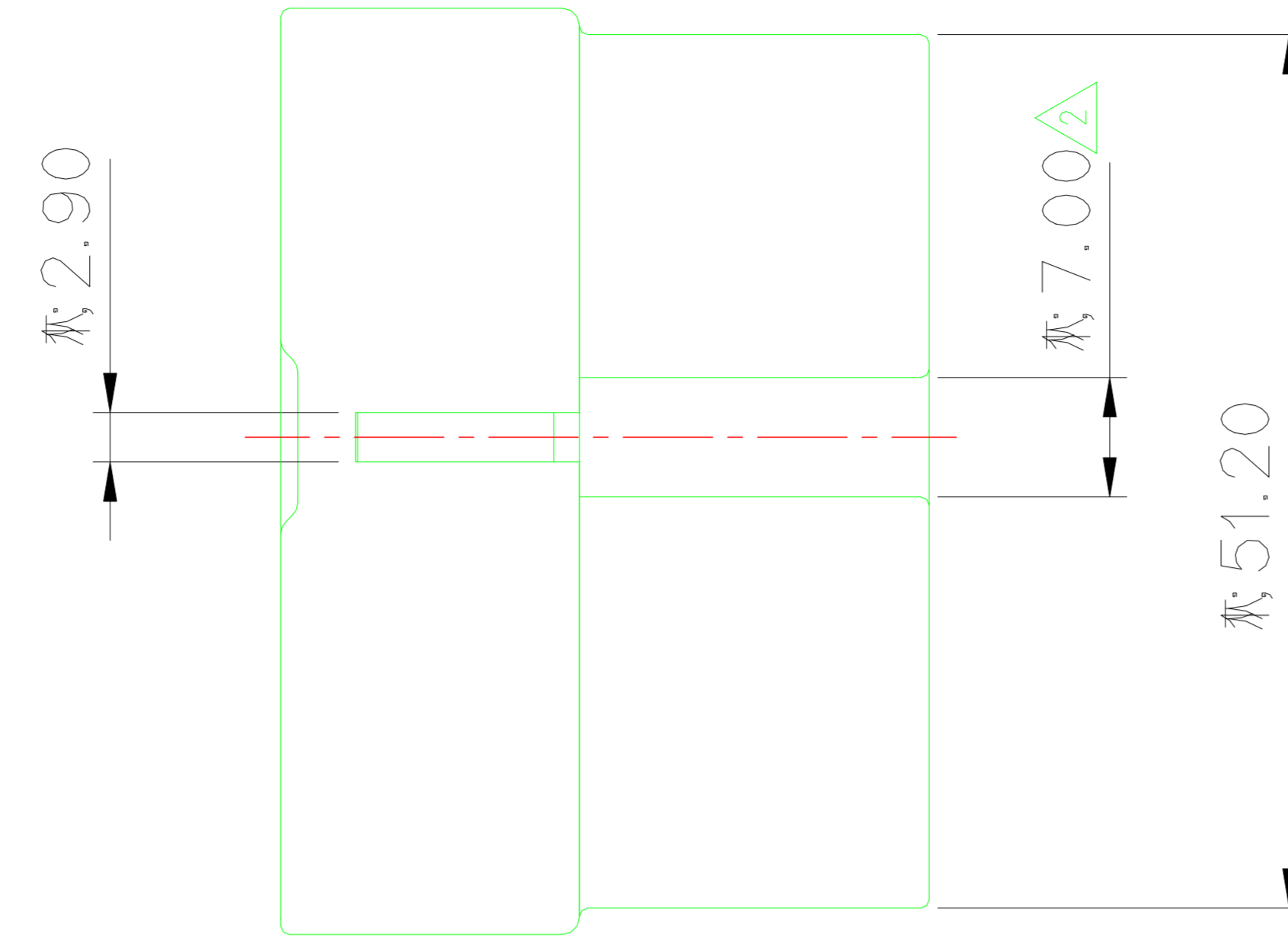
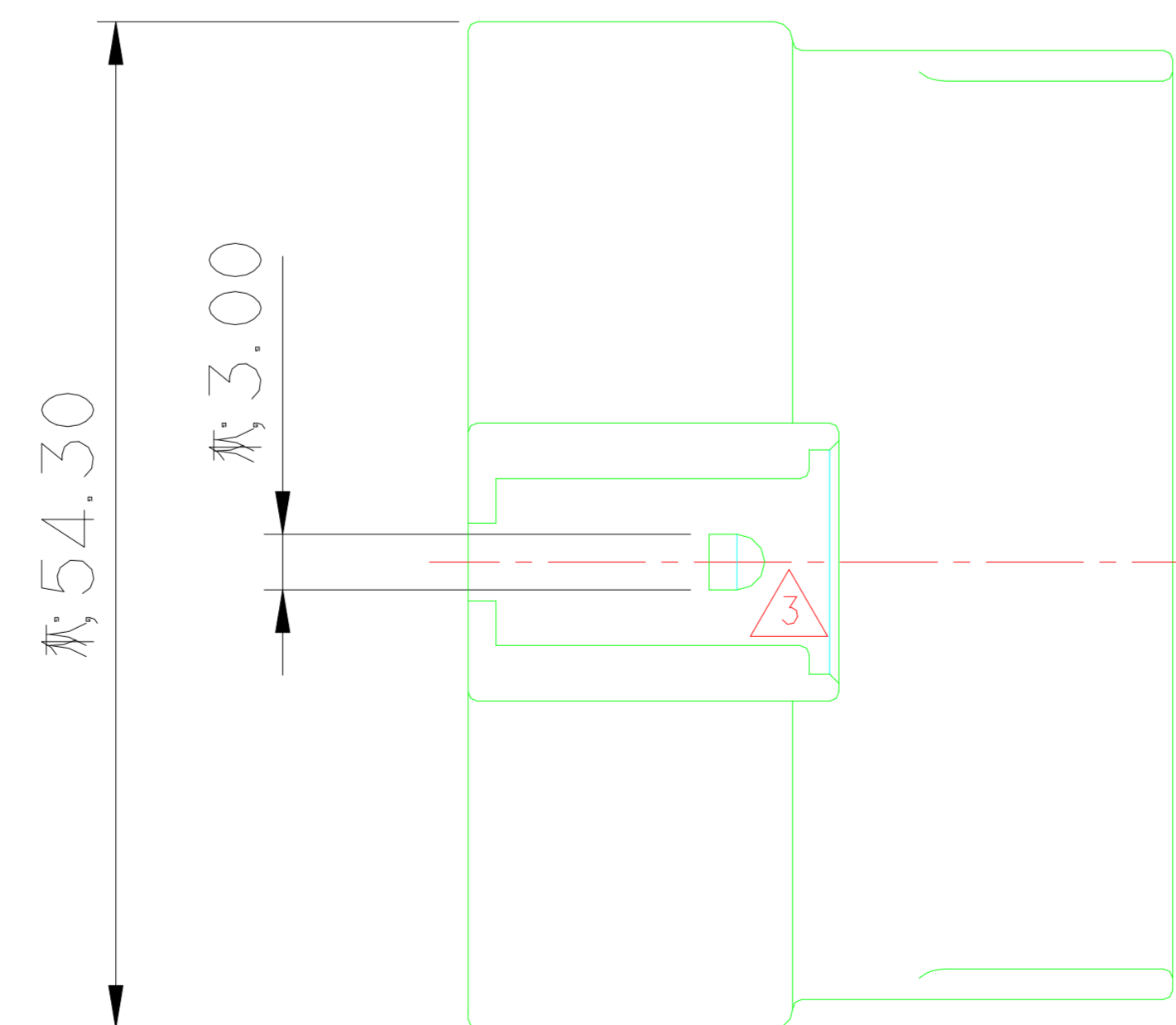


SECTION A-A



SECTION B-B



GENERAL TOLERANCE (HOUSING)					USED ON
10MAX	20MAX	45MAX	ANGLE	ECCENT	
±0.2	±0.25	±0.3	±30'	0.1	

NOTE

- MUST BE FREE OF BURR, WEIDLIN AND IMPERFECTION THAT AFFECT FUNCTION.
- APPLICABLE TERMINAL: ST740672, 673, 674
 APPLICABLE HOUSING: MG612250
 APPLICABLE SPACER: MG632253
 APPLICABLE CLIP: MG631267, 631268, 631471, 632019

주 기

- 기능상 유해한 BURR 및 WELDLINE 등이 없을것.
- 적용 TERMINAL: ST740672, 673, 674
 적용 HOUSING: MG612250
 적용 SPACER: MG632253
 적용 CLIP: MG631267, 631268, 631471, 632019



ISSUE MARK

				MATERIAL PBT		KETA KOREA ELECTRIC	
				FINISH NATURAL		TERMINAL CO., LTD.	
ECO-1111-071 근거 도면 제작성 (CLIP 실 높이 축소 / 체결부 실 추가)		AJH	11.11.08	WIRE RANGE		CLASS .090	
CLIP부 및 외관 수정		?	2002.12.10	INSULATION		TYPE	
SPACER 오조립 방지		LSY	2002.5.29	TOLERANCE EXCEPT AS NOTED		SCALE 1/1	
LTR REVISION RECORD		DR.	CHK.	APP.		PART NO. MG622252	
DR. WON. 2001.08.22		CHK. [Signature]		DATE 8/23		PART NAME	
CHK.		APP. [Signature]		DATE 8/23		ASC 20M HOUSING	