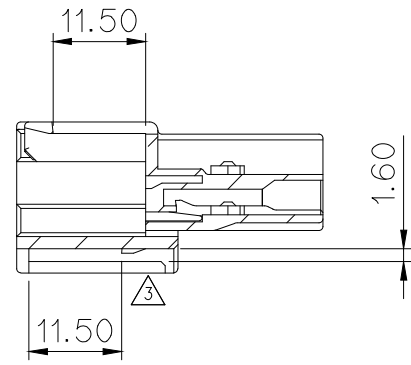
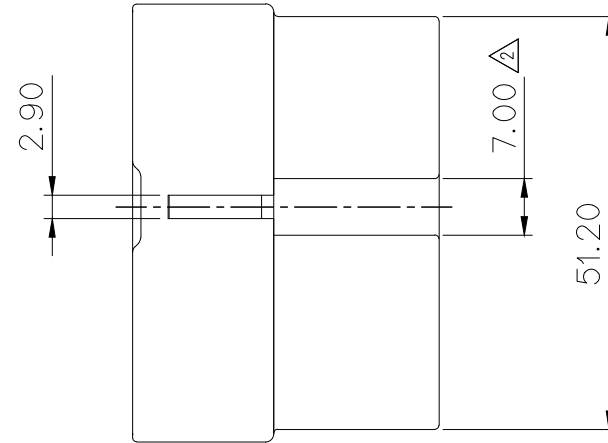


GENERAL TOLERANCE (HOUSING)					USED ON
10MAX	20MAX	45MAX	ANGLE	ECCENT	
±0.2	±0.25	±0.3	±30'	0.1	

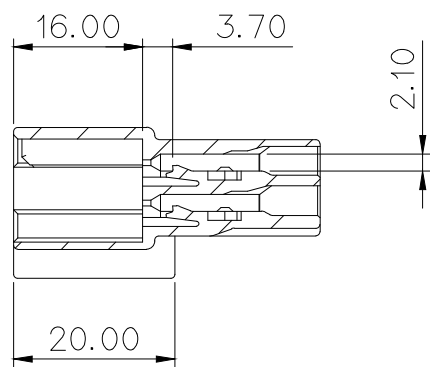
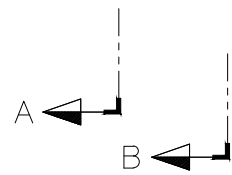
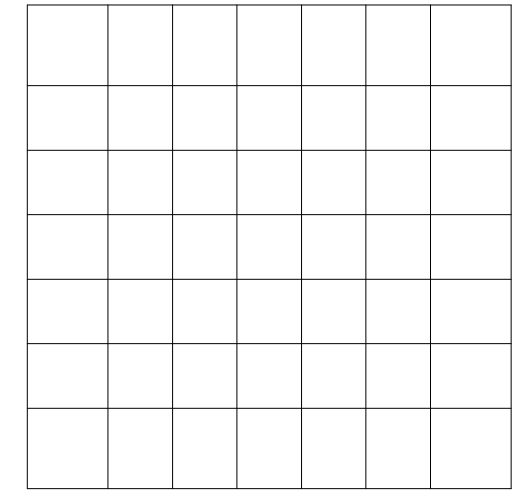
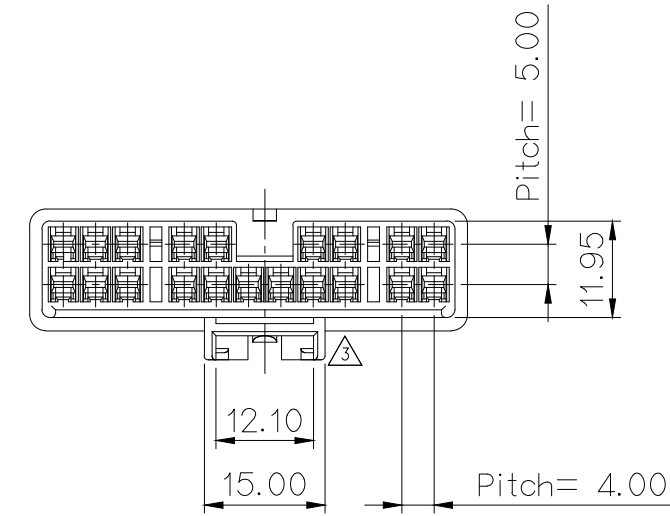
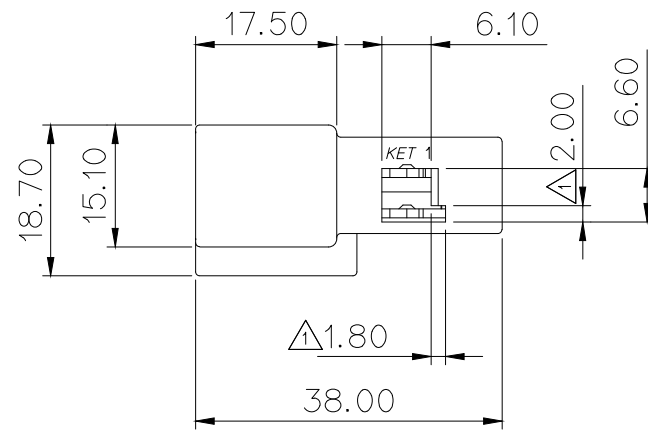
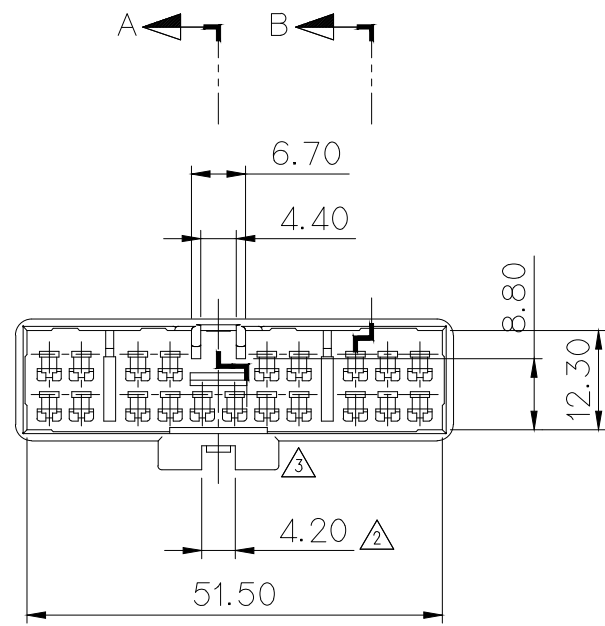


SECTION A-A

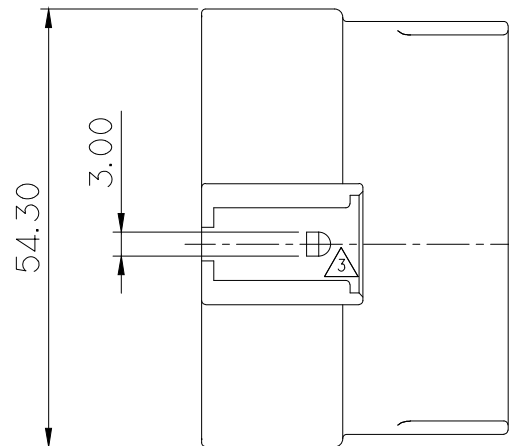


**NOTE**

- MUST BE FREE OF BURR, WEIDLIN AND IMPERFECTION THAT AFFECT FUNCTION.
- APPLICABLE TERMINAL: ST740672, 673, 674  
 APPLICABLE HOUSING: MG612250  
 APPLICABLE SPACER: MG632253  
 APPLICABLE CLIP: MG631267, 631268, 631471, 632019



SECTION B-B



**주 기**

- 기능상 유해한 BURR 및 WELDLINE 등이 없을 것.
- 적용 TERMINAL: ST740672, 673, 674  
 적용 HOUSING: MG612250  
 적용 SPACER: MG632253  
 적용 CLIP: MG631267, 631268, 631471, 632019



ISSUE MARK

		MATERIAL		PBT		KOREA ELECTRIC	
		FINISH		NATURAL		TERMINAL CO., LTD.	
③ ECO-1111-071 근거 도면 재작성 (CLIP 실 높이 축소 / 체결부 실 추가)		AJH		'11.11.08	KOREA ELECTRIC TERMINAL CO., LTD. Product Development Team		
② CLIP부 및 외관 수정		원		2002.12.10	CLASS .090		
① SPACER 오조립 방지		LSY		2002.5.29	TYPE		
LTR	REVISION RECORD	DR.	CHK.	APP.	DATE	TOLERANCE EXCEPT AS NOTED	SCALE 1/1
DR.	WON. 2001.08.22	CHK.			8/23	SEE TABLE	PART NO. MG622252
CHK.		APP.			8/23	PART NAME	ASC 20M HOUSING