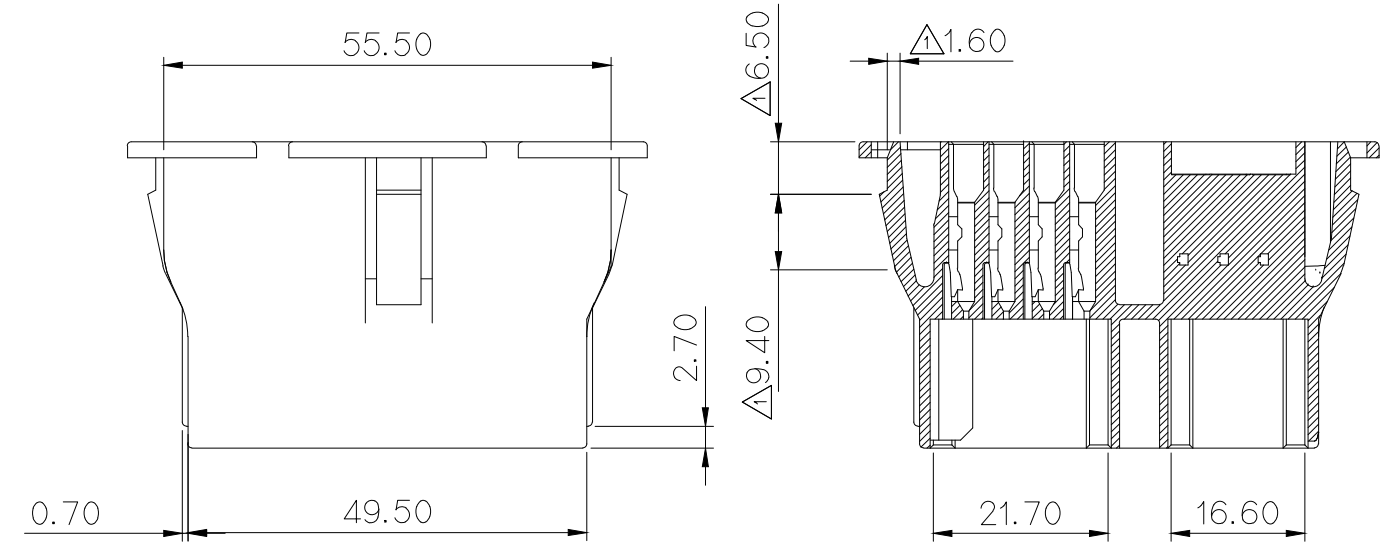
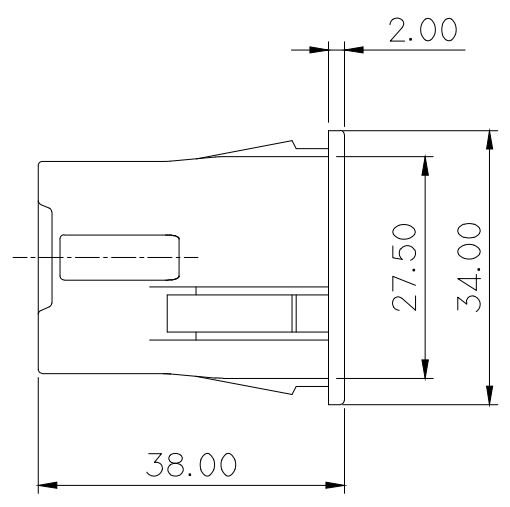
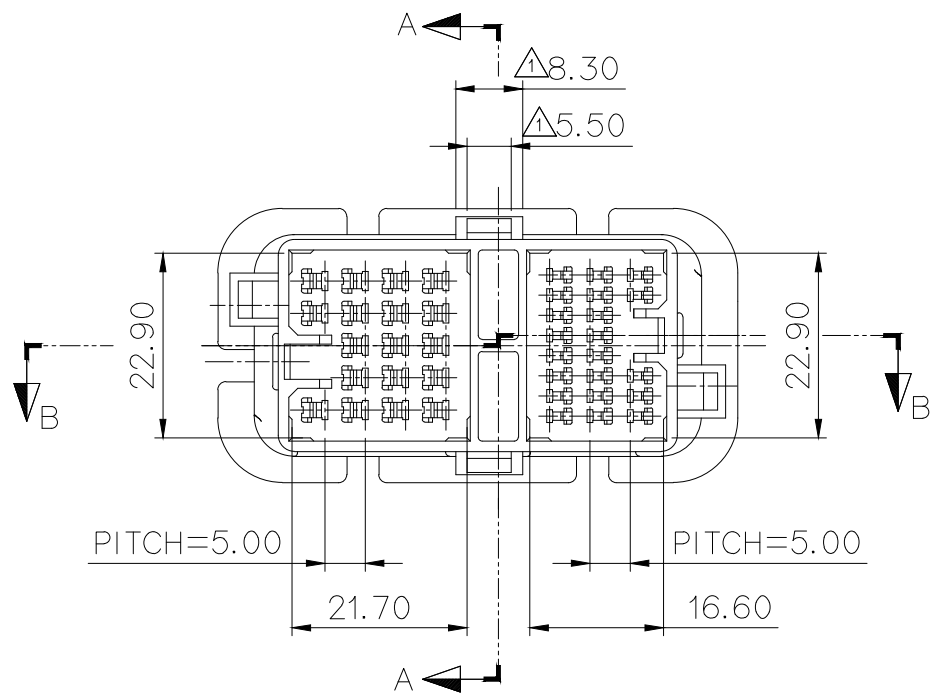


GENERAL TOLERANCE (HOUSING)					USED ON
10MAX	20MAX	45MAX	ANGLE	ECCENT	
±0.2	±0.25	±0.3	±30'	0.1	



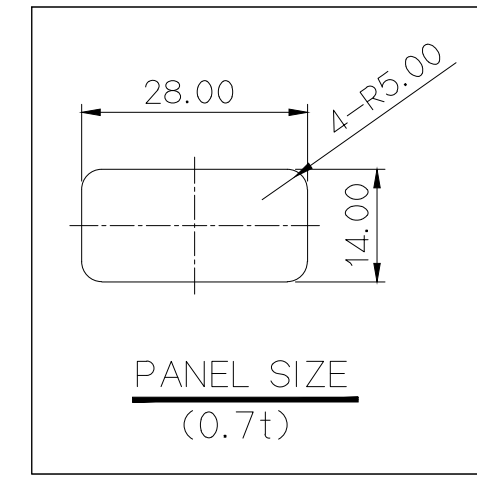
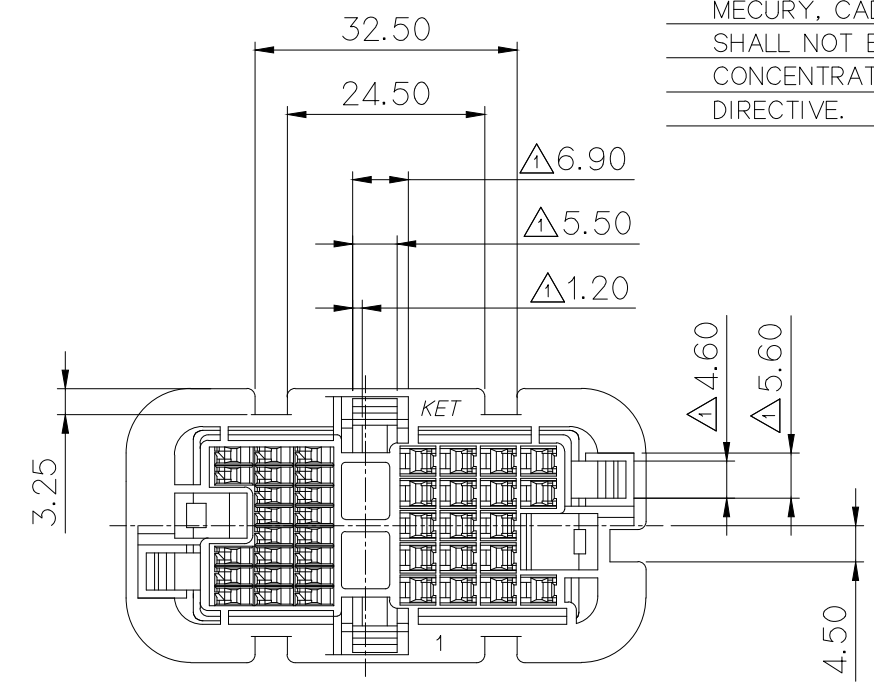
SECTION B-B



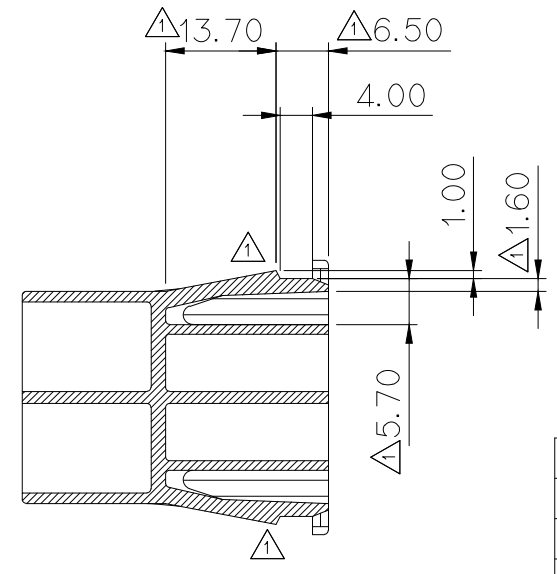
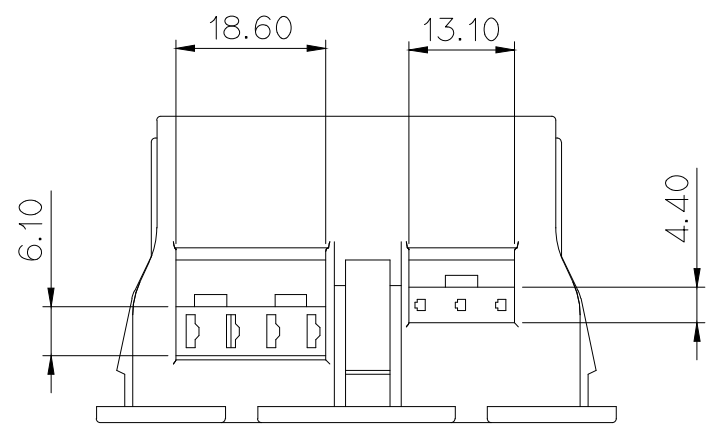
- 주 기**
- 기능상 유해한 BURR 및 WELDLINE등이 없을것.
 - 적용 TERMINAL(090): ST740672, 673, 674
적용 TERMINAL(050): ST740753
적용 HOUSING: MG612408, MG611987
적용 SPACER: MG631986, MG632407
 - 제품내 함유된 6대 유해물질 (납, 수은, 카드뮴, 6가 크롬, PBBs, PBDEs)은 EU ELV 지침 및 RoHS 법규에서 지정한 최대 허용 농도를 초과해서는 안된다.

NOTE

- MUST BE FREE OF FLASH, SINK AND IMPERFECTION THAT AFFECT FUNCTION.
- APPLICABLE TERMINAL(090) :ST740672,673,674
APPLICABLE TERMINAL(050) :ST740753
APPLICABLE HOUSING : MG612408, MG611987
APPLICABLE SPACER : MG631986, MG632407
- 6 HAZARDOUS SUBSTANCES IN PARTS (LEAD, MERCURY, CADMIUM, HEXAVALENT CHROMIUM, PBDEs) SHALL NOT EXCEED THE MAXIMUM PERMISSIBLE CONCENTRATION PRESCRIBED UNDER EU ELV DIRECTIVE.



NO.	MATERIAL	COLOR
0	P B T:	NATURAL
1		RED
2		BLUE
3		YELLOW
40		DARK GRAY
41		LIGHT GRAY
5		BLACK
6		DARK GREEN
7		BROWN
8		LIGHT GREEN
9		MAGENTA
11	ORANGE	



SECTION A-A

APPROVED
2018-12-10
KOREA ELECTRIC
TERMINAL CO., LTD.
Korea Electric Terminal Co., LTD.

ISSUE MARK

MATERIAL	SEE TABLE	KET KOREA ELECTRIC ENGINEERED TERMINAL CO., LTD.
FINISH	SEE TABLE	
WIRE RANGE		CLASS 090 II(18P) + 050(21P)
INSULATION		TYPE HYBRID
DR. KJLEE. 01.07.04	CHK. KKJ	TOLERANCE EXCEPT AS NOTED
DR. KJLEE. 01.07.04	CHK. KKJ	SCALE 1/1
DR. KJLEE. 01.07.04	CHK. KKJ	PART NO. MG622406
DR. KJLEE. 01.07.04	CHK. KKJ	PART NAME
DR. KJLEE. 01.07.04	CHK. KKJ	DOOR 39M HOUSING