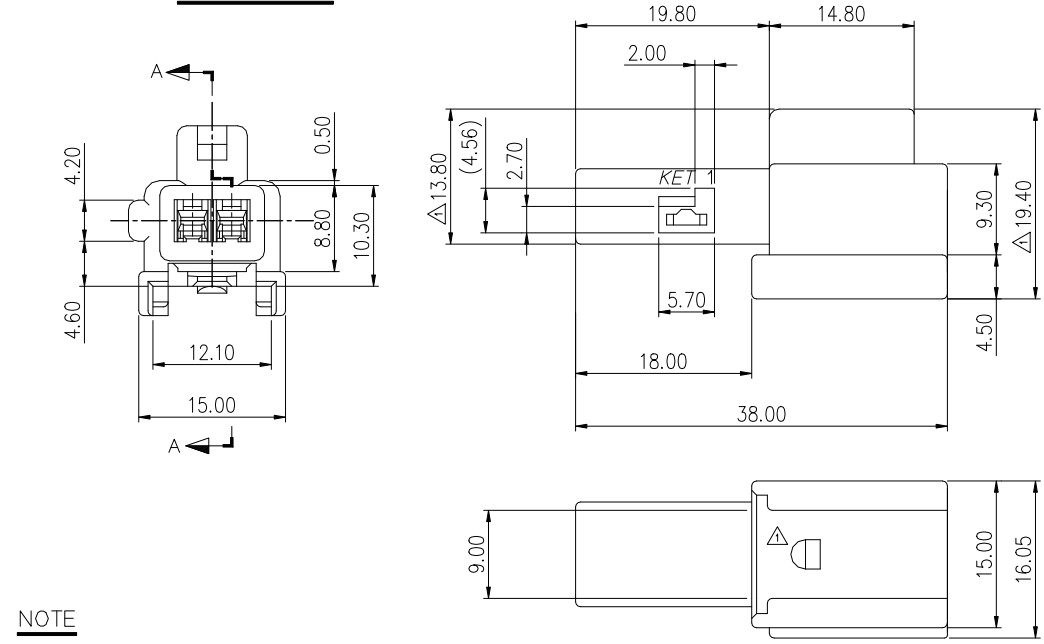


SECTION A-A



GENERAL TOLERANCE (HOUSING)							USED ON
10 MAX	50 MAX	100 MAX	250 MAX	250 VR	ANGLE	ECCENT	
±0.2	±0.3	±0.55	±0.95	±1.4	±30'	0.1	

- ~S. ~!_J
1. ~!_J^'3IP^*!|5 ~R_2~F_~^3'k|\$ BURR ~''5|7 WELDLINE^J'3IP~_5 ^,;%2^R'3|C^!%|3.
 2. ^-;%|^R'-|P TERMINAL: ST740672, 673, 674
^-;%|^R'-|P HOUSING: MG651026, MG611857
^-;%|^R'-|P SPACER: MG631859
^-;%|^R'-|P CLIP: MG631267, 631268, 631471, 632019
 - △ 3. 제품내 함유된 6대 유해물질 (납, 수은, 카드뮴, 6가크롬, PBBs,PBDEs)은 EU ELV 지침 및 RoHS 법규에서 지정한 최대 허용 농도를 초과해서는 안된다.

- NOTE**
1. MUST BE FREE OF BURR, WELDLINE AND IMPERFECTION THAT AFFECT FUNCTION.
 2. APPLICABLE TERMINAL :ST740672, 673, 674
APPLICABLE HOUSING :MG651026, MG611857
APPLICABLE SPACER :MG631859
APPLICABLE CLIP :MG631267, 631268, 631471, 632019
 - △ 3. 6 HAZARDOUS SUBSTANCES IN PARTS (LEAD, MERCURY CADMIUM, HEXAVALENT CHROMIUM, PBBs, PBDEs) SHALL NOT EXCEED THE MAXIMUM PERMISSVLE CONCENTRATION PRESCRIBED UNDER EU ELV DIRECTIVE & RoHS REGULATION.

ISSUE MARK

				MATERIAL SEE TABLE			KOREA ELECTRIC TERMINAL CO., LTD.
				FINISH NATURAL			
				WIRE RANGE		CLASS	.090
				INSULATION		TYPE	
LTR	REVISION RECORD	DR.	CHK.	APP.	DATE	TOLERANCE EXCEPT AS NOTED	SCALE 2/1
DR.	WON. 02.12.17	CHK.		APP.	12/18	SEE TABLE	PART NO. MG622937
CHK.		APP.	CHK.	APP.	12/18	PART NAME ASC 2M HOUSING(LEFT)	