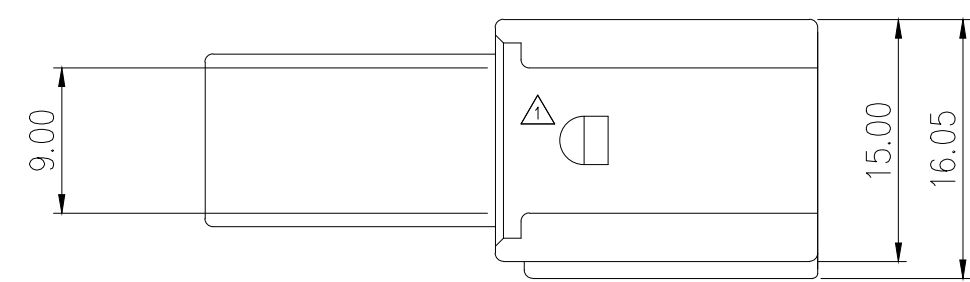
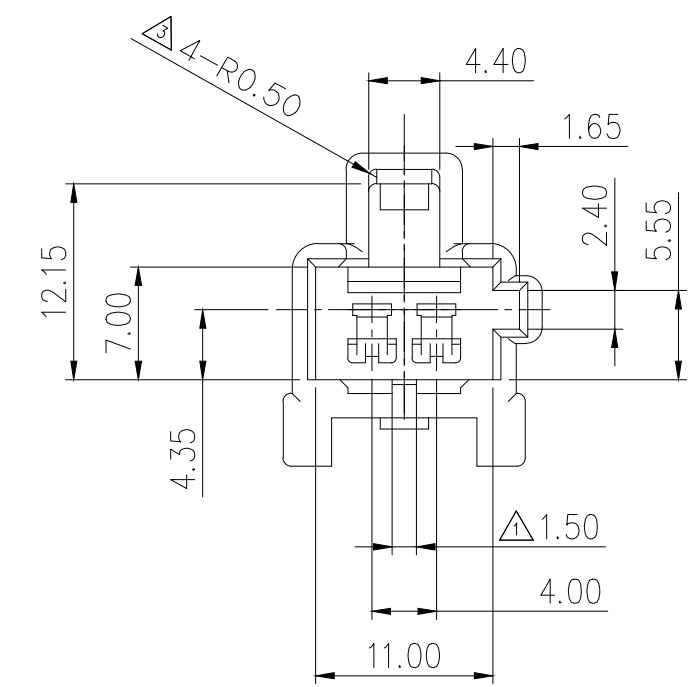
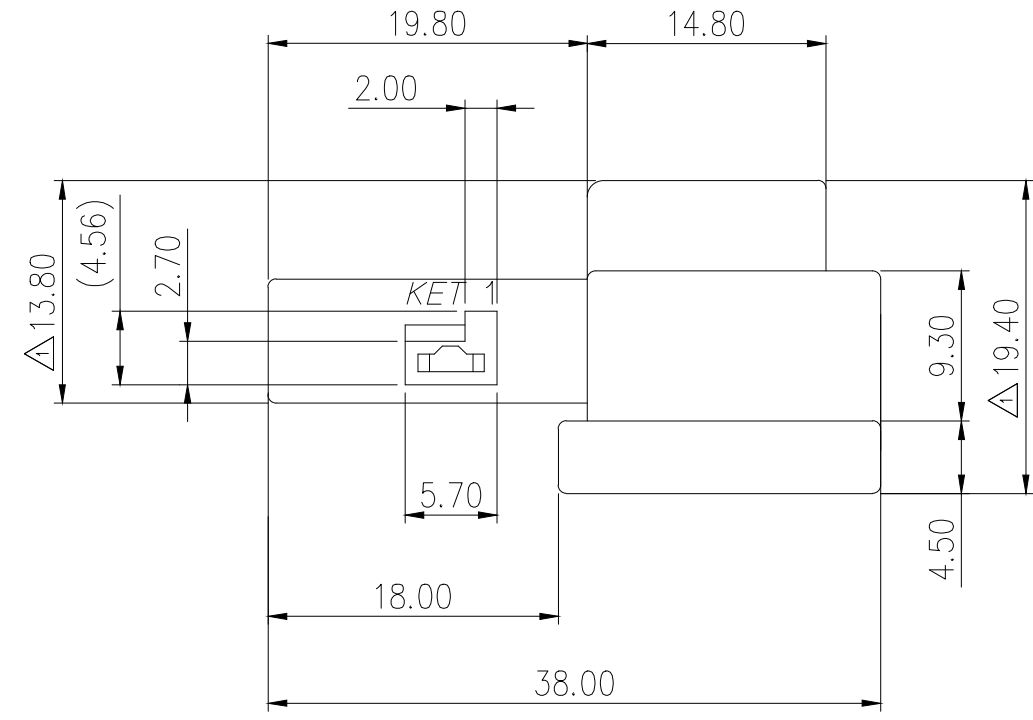
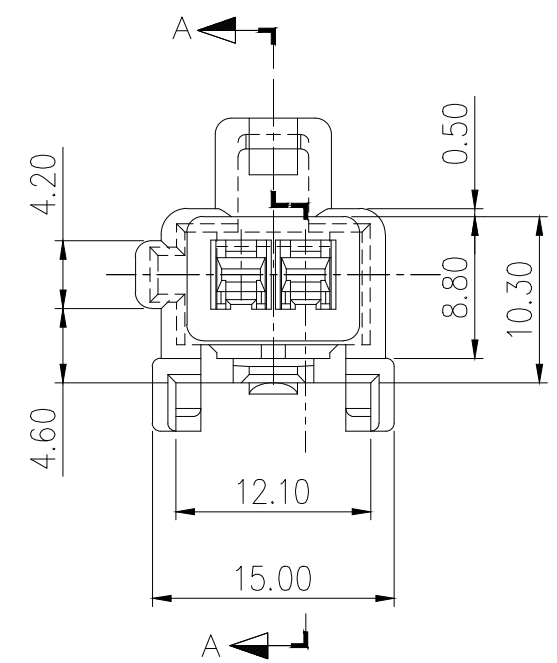


GENERAL TOLERANCE (HOUSING)							USED ON
10 MAX	50 MAX	100 MAX	250 MAX	250 VR	ANGLE	ECCENT	
±0.2	±0.3	±0.55	±0.95	±1.4	±30'	0.1	

주 기

- 기능상 유해한 BURR 및 WELDLINE 등이 없을것.
- 적용 TERMINAL: ST740672, 673, 674
적용 HOUSING: MG651026, MG611857
적용 SPACER: MG631859
적용 CLIP: MG631267, 631268, 631471, 632019
- 제품내 함유된 6대 유해물질 (납, 수은, 카드뮴, 6가크롬, PBBs, PBDEs)은 EU ELV 지침 및 RoHS 법규에서 지정한 최대 허용 농도를 초과해서는 안된다.

SECTION A-A



NOTE

- MUST BE FREE OF BURR, WELDLINE AND IMPERFECTION THAT AFFECT FUNCTION.
- APPLICABLE TERMINAL :ST740672, 673, 674
APPLICABLE HOUSING :MG651026, MG611857
APPLICABLE SPACER :MG631859
APPLICABLE CLIP :MG631267, 631268, 631471, 632019
- 6 HAZARDOUS SUBSTANCES IN PARTS (LEAD, MERCURY CADMIUM, HEXAVALENT CHROMIUM, PBBs, PBDEs) SHALL NOT EXCEED THE MAXIMUM PERMISSVLE CONCENTRATION PRESCRIBED UNDER EU ELV DIRECTIVE & RoHS REGULATION.

APPROVED
2018-12-10
KOREA ELECTRIC
TERMINAL CO., LTD.
Korea Electric Te
rminal Co., LTD.

ISSUE MARK

ECO-1507-331에 근거 도면 재작성 (오삽입 방지 리브 추가)	LJJ	CKY	LSY	'15.07.21	MATERIAL	SEE TABLE	KOREA ELECTRIC TERMINAL CO., LTD.				
ECO-1506-113에 근거 도면 재작성	KJS	CKY	LSY	'15.06.08	FINISH	NATURAL					
ECO-1305-156에 근거 도면 재작성	YM.K	CSH	HSH	'13.05.28	WIRE RANGE		CLASS .090				
설계사양변경(S080079)근거 재작성	KHS			'08.04.02	INSULATION		TYPE				
LTR	REVISION RECORD				DR.	CHK.	APP.	DATE	TOLERANCE EXCEPT AS NOTED	SCALE 2/1	PART NO. MG622937
DR.	WON. 02.12.17		CHK.					12/18	PART NAME ASC 2M HOUSING(LEFT)		
CHK.			APP.					12/18			