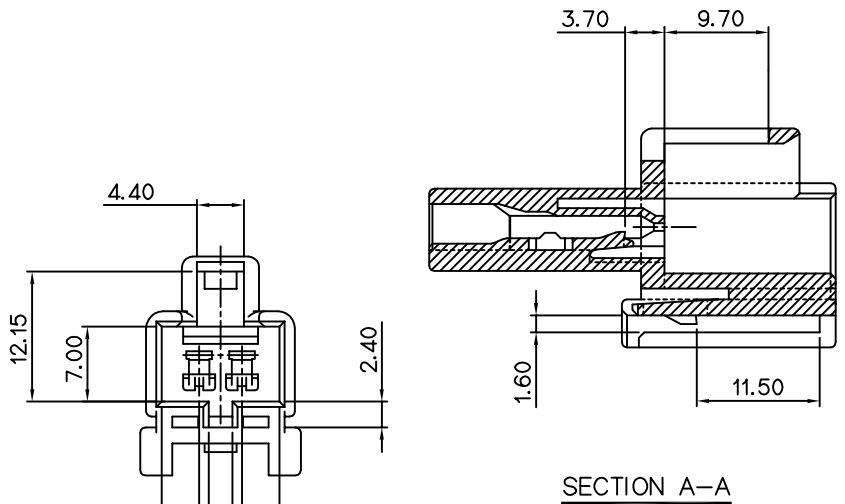
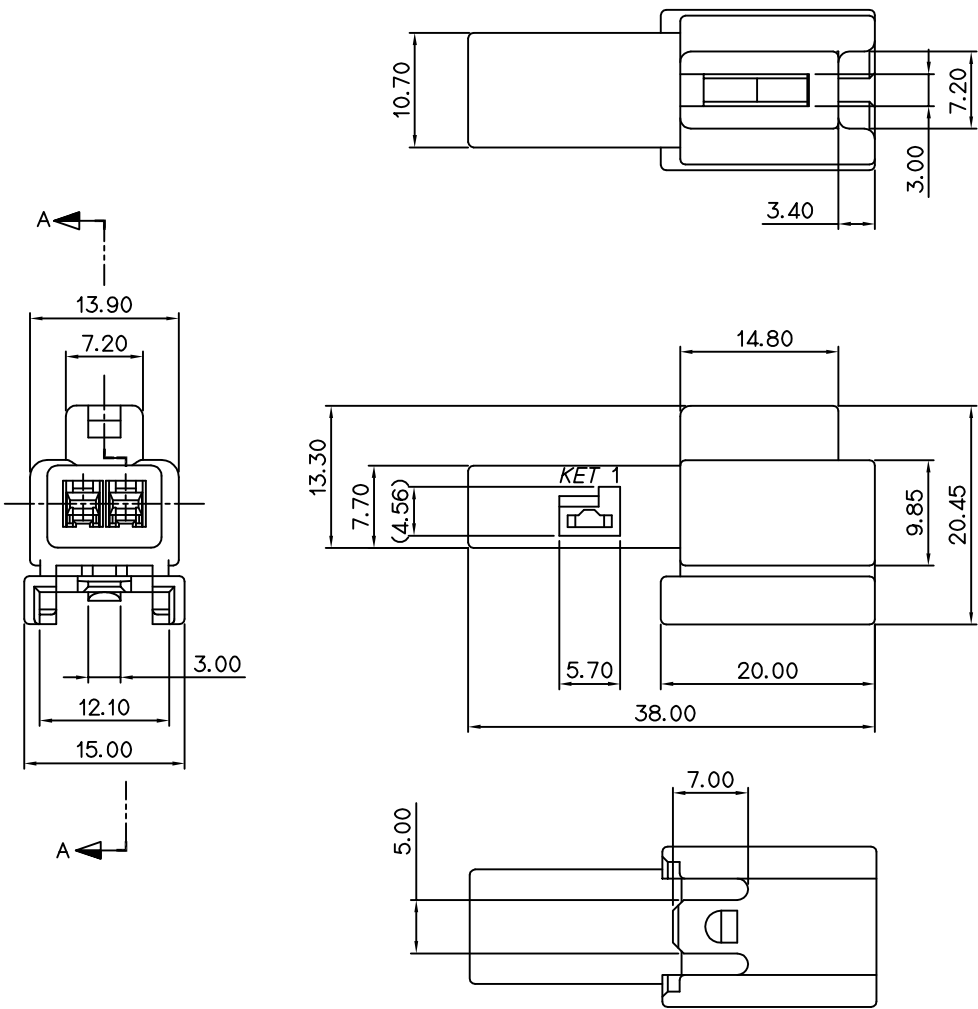


GENERAL TOLERANCE (HOUSING)							USED ON
10 MAX	50 MAX	100 MAX	250 MAX	250 VR	ANGLE	ECCENT	
±0.2	±0.3	±0.55	±0.95	±1.4	±30'	0.1	



NOTE

- MUST BE FREE OF BURR, WELDLINE AND IMPERFECTION THAT AFFECT FUNCTION.
- APPLICABLE TERMINAL :ST740672, 673, 674
- APPLICABLE HOUSING :MG612948, MG651201
- APPLICABLE SPACER :MG631859
- APPLICABLE CLIP :MG631267, 631268, 631471, 632019

주 기

- 기능상 유해한 BURR 및 WELDLINE등이 없을것.
- 적용 TERMINAL: ST740672, 673, 674
- 적용 HOUSING: MG612948, MG651201
- 적용 SPACER: MG631859
- 적용 CLIP: MG631267, 631268, 631471, 632019

ISSUE MARK

				MATERIAL PBT		KET KOREA ELECTRIC ENGINEERED TERMINAL CO., LTD.		
				FINISH NATURAL				
				WIRE RANGE		CLASS .090		
				INSULATION		TYPE		
LTR	REVISION RECORD	DR.	CHK.	APP.	DATE	TOLERANCE EXCEPT AS NOTED	SCALE 2/1	PART NO. MG622949
DR.	KDJ. 05.05.23	CHK.				PART NAME	ASC 2M HOUSING(BOTTOM)	
CHK.		APP.						