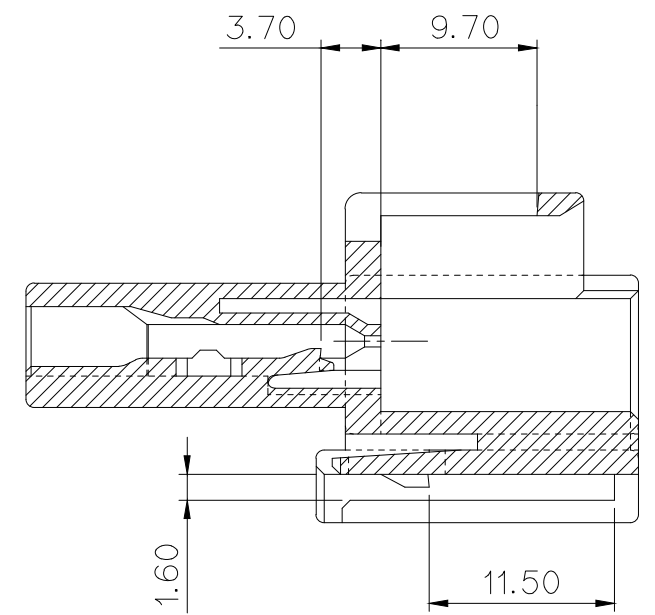


GENERAL TOLERANCE (HOUSING)							USED ON
10 MAX	50 MAX	100 MAX	250 MAX	250 VR	ANGLE	ECCENT	
±0.2	±0.3	±0.55	±0.95	±1.4	±30'	0.1	



SECTION A-A

주 기

1. 기능상 유해한 BURR 및 WELDLINE 등이 없을 것.
2. 적용 TERMINAL: ST740672, 673, 674  
적용 HOUSING: MG612948, MG651201  
적용 SPACER: MG631859  
적용 CLIP: MG631267, 631268, 631471, 632019

NOTE

1. MUST BE FREE OF BURR, WELDLINE AND IMPERFECTION THAT AFFECT FUNCTION.
2. APPLICABLE TERMINAL : ST740672, 673, 674  
APPLICABLE HOUSING : MG612948, MG651201  
APPLICABLE SPACER : MG631859  
APPLICABLE CLIP : MG631267, 631268, 631471, 632019

NO.	MATERIAL	COLOR
0	PBT: △HV-1005S	NATURAL
1		RED
2		BLUE
3		YELLOW
4		GRAY
40		DARK GRAY
41		LIGHT GRAY
5		BLACK
6		DARK GREEN
7		BROWN
8		LIGHT GREEN
9	MAGENTA	
11	ORANGE	

**APPROVED**  
**2018-12-07**  
KOREA ELECTRIC  
TERMINAL CO., LTD.  
Korea Electric Terminal Co., LTD.

ISSUE MARK

MATERIAL	PBT	<b>KET</b> KOREA ELECTRIC ENGINEERED TERMINAL CO., LTD.
FINISH	SEE TABLE	
WIRE RANGE	CLASS	.090
INSULATION	TYPE	
LTR	REVISION RECORD	DATE
DR.	KDJ. 05.05.23	APP.
CHK.		APP.
TOLERANCE EXCEPT AS NOTED		SCALE
SEE TABLE		2/1
PART NAME		PART NO.
ASC 2M HOUSING(BOTTOM)		MG622949