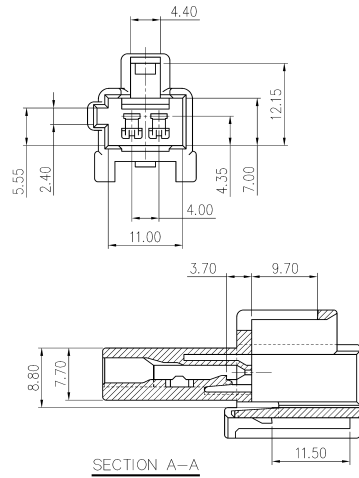
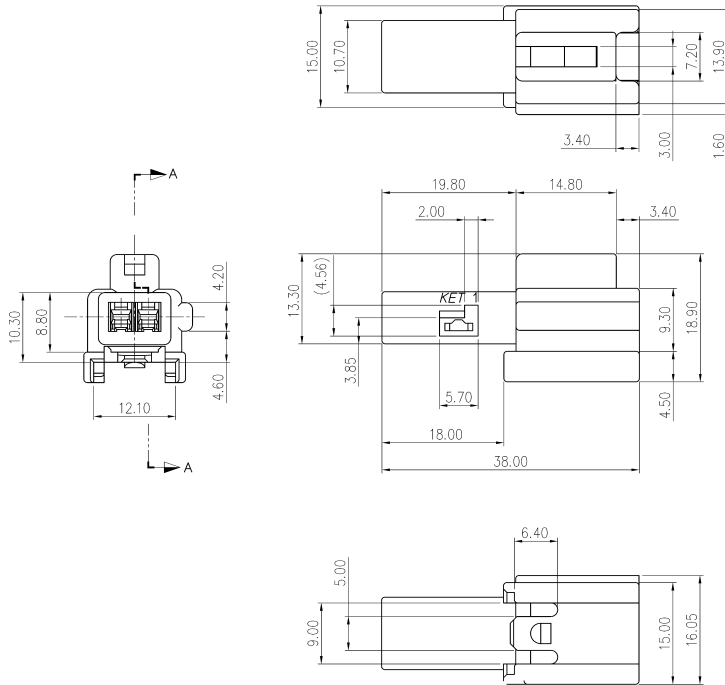


GENERAL TOLERANCE (HOUSING)							USED ON
10 MAX	50 MAX	100 MAX	250 MAX	250 VR	ANGLE	ECCENT	
±0.2	±0.3	±0.55	±0.95	±1.4	±30'	0.1	

NOTE

- MUST BE FREE OF BURR, WELDLINE AND IMPERFECTION THAT AFFECT FUNCTION.
- APPLICABLE TERMINAL : ST740672, 673, 674
 APPLICABLE HOUSING : MG612950, MG651205
 APPLICABLE SPACER : MG631859
 APPLICABLE CLIP : MG631267, 631268, 631471, 632019



주 기

- 기능상 유해한 BURR 및 WELDLINE등이 없을것.
- 적용 TERMINAL: ST740672, 673, 674
- 적용 HOUSING: MG612950, MG651205
- 적용 SPACER: MG631859
- 적용 CLIP: MG631267, 631268, 631471, 632019

				MATERIAL	PBT	KOREA ELECTRIC TERMINAL CO., LTD.	
				FINISH	NATURAL		
				WIRE RANGE		CLASS	.090
				INSULATION		TYPE	
LTR	REVISION RECORD	DR	CHK	APP	DATE	SCALE	PART NO.
DR.	KDJ. 05.05.23	CHK.	S.H.HEO.	5/23		2/1	MG622951
CHK.	M.K.NO. 5/23	APP.	KKJ.	5/24			
PART NAME						ASC 2M HOUSING (RIGHT)	