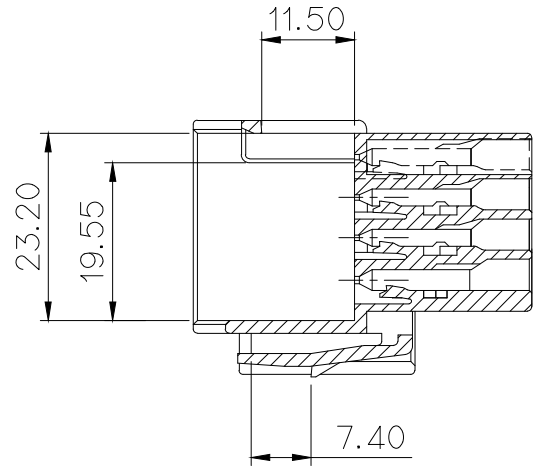
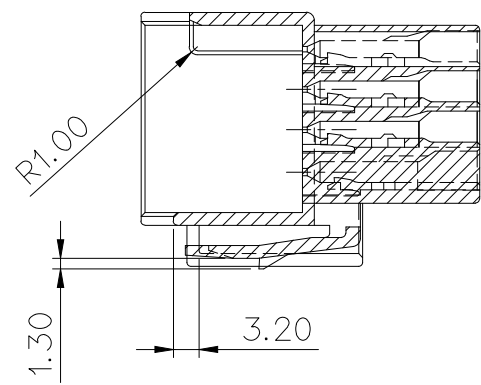


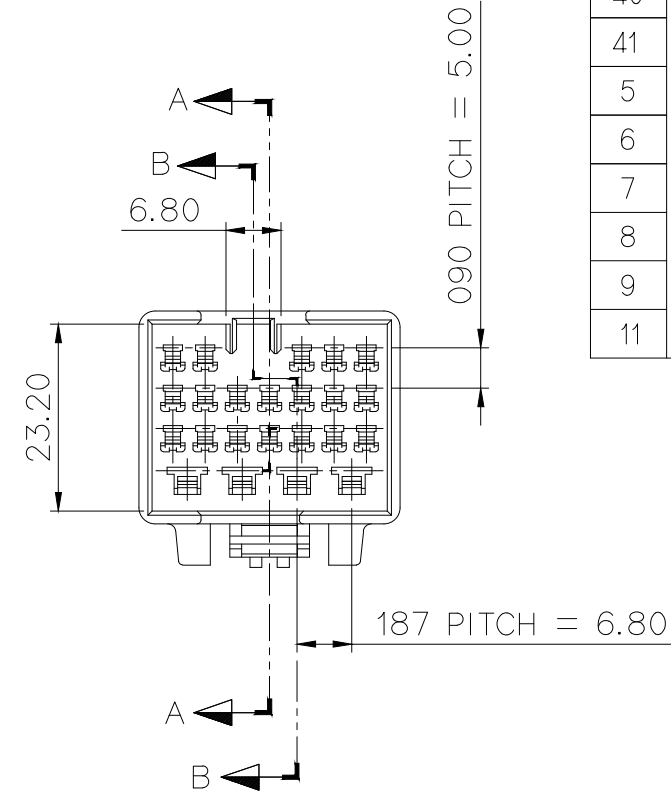
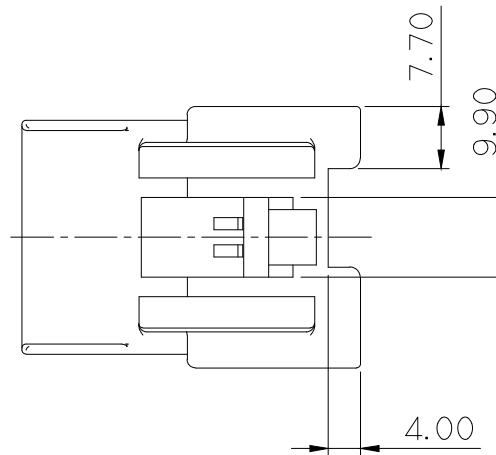
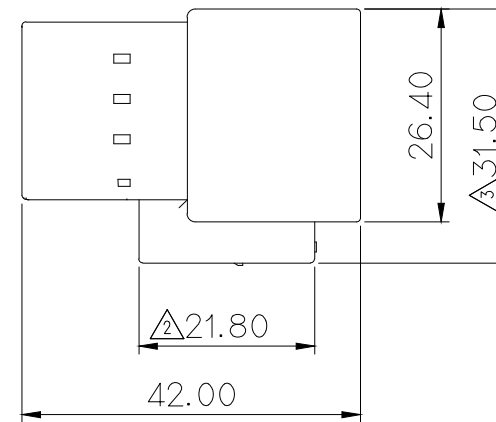
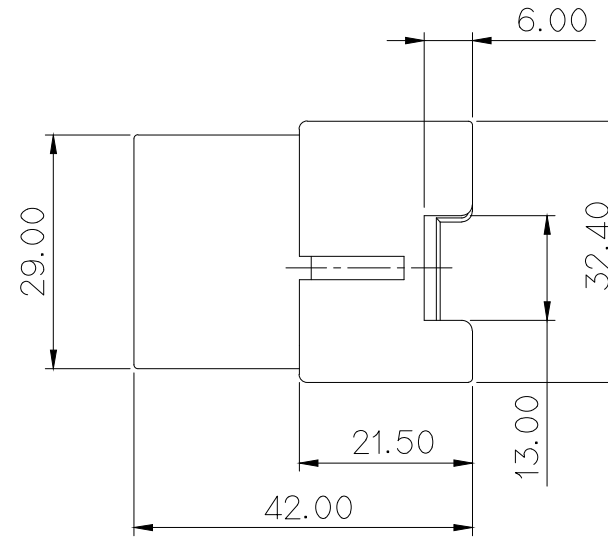
10MAX	30MAX	50MAX	70MAX	100MAX	120MAX	250MAX	250VR	ANGLE	ECCENT	
±0.15	±0.2	±0.3	±0.4	±0.5	±0.75	±0.9	±1.4	±30'	0.1	



SECTION A-A



SECTION B-B



NO.	MATERIAL	COLOR
* 0	P B T	NATURAL
1		RED
* 2		BLUE
* 3		YELLOW
4		GRAY
40		DARK GRAY
41		LIGHT GRAY
5		BLACK
6		DARK GREEN
7		BROWN
8		LIGHT GREEN
9	MAGENTA	
11	ORANGE	

주 기

1. 기능상 유해한 BURR 및 WELDLINE 등이 없을 것.
2. 적용 TERMINAL: 090 - ST740672, 673, 674
적용 TERMINAL: 187 - ST740631, 632, 633
적용 HOUSING: MG613342
적용 SPACER: MG632472
- △ 3. 제품내 함유된 6대 유해물질 (납, 수은, 카드뮴, 6가크롬, PBBs, PBDEs)은 EU ELV 지침 및 RoHS 법규에서 지정한 최대 허용 농도를 초과해서는 안 된다.

NOTE

1. MUST BE FREE OF FLASH, SINK AND IMPERFECTION THAT AFFECT FUNCTION.
2. APPLICABLE TERMINAL: 090 - ST740672, 673, 674
APPLICABLE TERMINAL: 187 - ST740631, 632, 633
APPLICABLE HOUSING: MG613342
APPLICABLE SPACER: MG632472
- △ 3. 6 HAZARDOUS SUBSTANCES IN PARTS (LEAD, MERCURY, CADMIUM, HEXAVALENT CHROMIUM, PBBs, PBDEs) SHALL NOT EXCEED THE MAXIMUM PERMISSIBLE CONCENTRATION PRESCRIBED UNDER EU ELV DIRECTIVE & RoHS REGULATION.

APPROVED

2017-08-10

KOREA ELECTRIC
TERMINAL CO., LTD.
Korea Electric Terminal Co., LTD.

ISSUE MARK

		MATERIAL		PBT		FINISH		YELLOW			KOREA ELECTRIC TERMINAL CO., LTD.		
		WIRE RANGE				INSULATION					CLASS	09187	
		LTR		REVISION RECORD		DR.		CHK.		APP.		DATE	
		DR.		KDJ '04.10.14		CHK.				TOLERANCE EXCEPT AS NOTED		SCALE 1/1	
		CHK.		KKJ		APP.		KCH		PART NO.		MG623341	
										PART NAME		1809 23M HOUSING (NEW)	