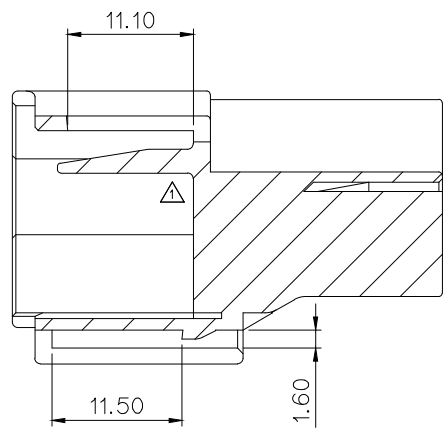
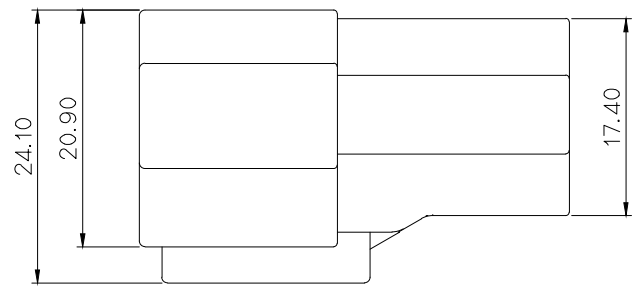
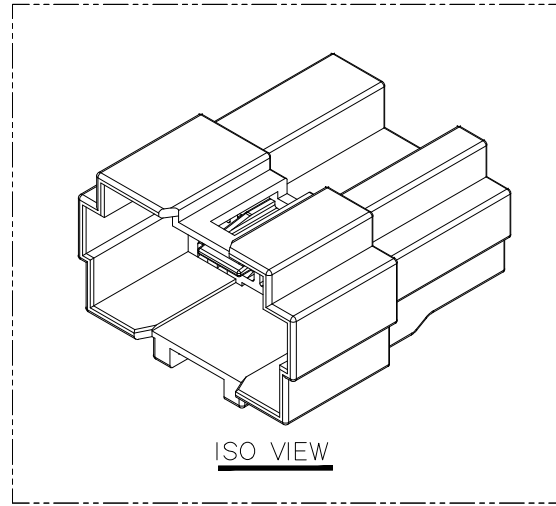


SECTION B-B



SECTION A-A



GENERAL TOLERANCE (HOUSING)							USED ON
10MAX	50MAX	100MAX	250MAX	250VR	ANGLE	ECCENT	
±0.2	±0.3	±0.55	±0.95	±1.4	±30'	0.1	

- 주 기**
- 기능상 유해한 BURR 및 WELDLINE등이 없을것.
 - 적용 TERMINAL :
187 : ST740631, 632, 633-3
090 : ST740672, 0673, 0674-3
적용 CONNECTOR : MG614680
적용 CLIP : MG631267, 631268, 631471, 631929, 632019, 632970
 - 제품내 함유된 6대 유해물질 (납,수은,카드뮴,6가크롬, PBBs,PBDEs)은 EU ELV 지침 및 RoHS 법규에서 지정한 최대 허용 농도를 초과해서는 안된다.

- NOTE**
- MUST BE FREE OF BURR, WELDLINE AND IMPERFECTION THAT AFFECT FUNCTION.
 - APPLICABLE TERMINAL :
187 : ST740631, 632, 633-3
090 : ST740672, 0673, 0674-3
APPLICABLE CONNECTOR : MG614680
APPLICABLE CLIP : MG631267, 631268, 631471, 631929, 632019, 632970
 - 6 HAZARDOUS SUBSTANCES IN PARTS (LEAD, MERCURY, CADMIUM, HEXAVALENT CHROMIUM, PBBs, PBDEs) SHALL NOT EXCEED THE MAXIMUM PERMISSIBLE CONCENTRATION PRESCRIBED UNDER EU ELV DIRECTIVE & RoHS REGULATION.

NO.	MATERIAL	COLOR
* 0	P B T:	NATURAL
1		RED
2		BLUE
20		JADE
3		YELLOW
4		GRAY
40		DARK GRAY
41		LIGHT GRAY
5		BLACK
6		DARK GREEN
7		BROWN
8	LIGHT GREEN	
9	MAGENTA	
11	ORANGE	



ISSUE MARK

MATERIAL	SEE TABLE		KOREA ELECTRIC					
FINISH	SEE TABLE		TERMINAL CO., LTD.					
WIRE RANGE			CLASS	1809				
INSULATION			TYPE					
ECO-111-079 근거 도면 제작명 (규격리 방지 RIB R형상 추가)	AJH	11.11.08						
LTR	REVISION RECORD	DR.	CHK.	APP.	DATE	TOLERANCE EXCEPT AS NOTED	SCALE	PART NO.
DR.	CDH. 2009.07.29	CHK.	LSY		09.07.31	SEE TABLE	2/1	MG624681
CHK.		APP.			09.07.31	PART NAME		1809 17M HOUSING