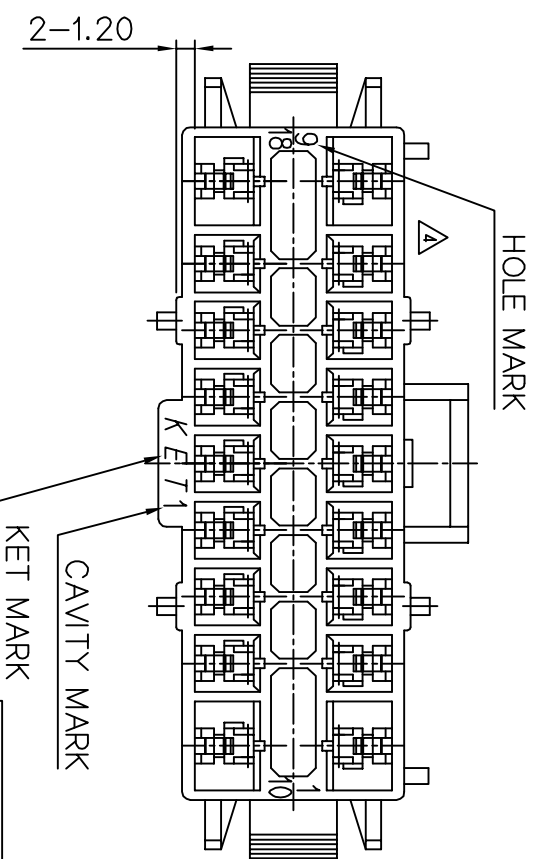
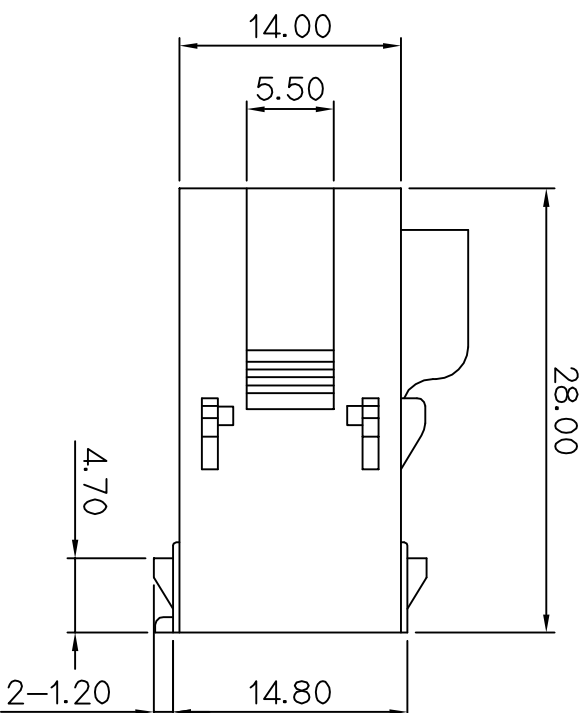
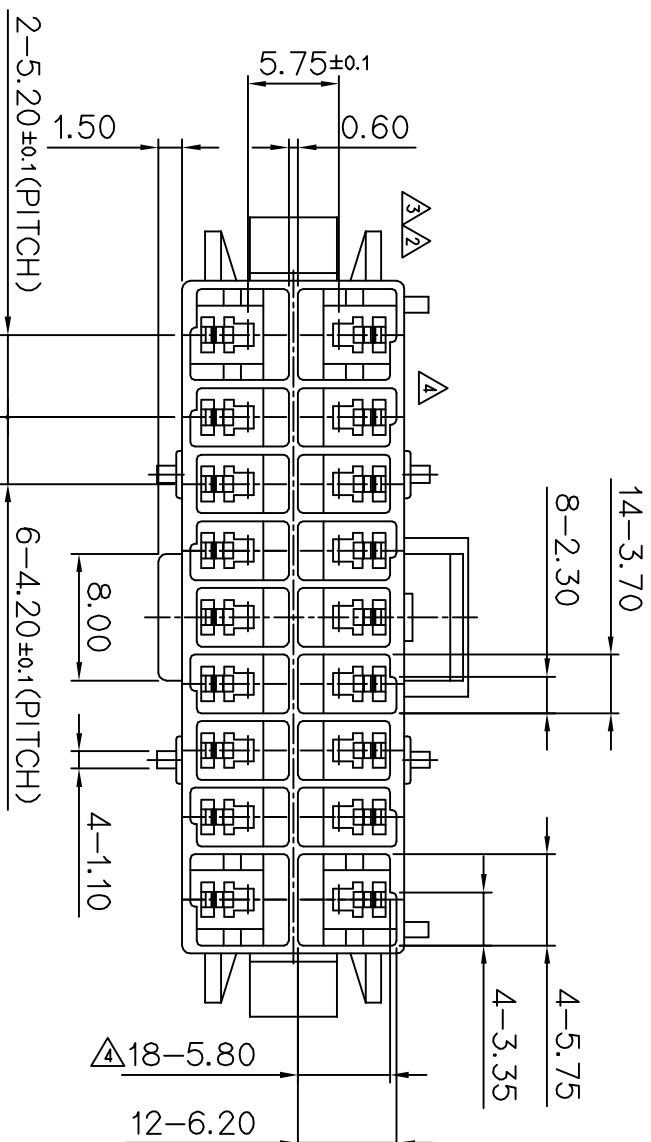


[PANEL THICK. = 0.8-2.0]
 Δ PANEL HOLE DIM.

GENERAL TOLERANCE (HOUSING)						USED ON
10MAX	50MAX	100MAX	250MAX	250VR	ANGLE	ECCENT
±0.2	±0.3	±0.55	±0.95	±1.4	±30'	0.1

주 기

1. 기능상 유해한 FLASH, SINK, 미성형 등이 없을 것.
2. 제폴내 함유된 6대 유해물질 (납,수은,카드뮴,6가크롬, PBBs,PBDES)은 EU ELV 지침 및 RoHS 법규에서 지정한 최대 허용 농도를 초과해서는 안된다.
3. 적용 R/HOLDER : MG635256
4. 적용 TERMINAL: ST741175,1176,양쪽끝-741304



NOTE

1. MUST BE FREE OF FLASH, SINK AND IMPERFECTION THAT AFFECT FUNCTION.
2. 6 HAZARDOUS SUBSTANCES IN PARTS (LEAD, MERCURY, CADMIUM, HEXAVALENT CHROMIUM, PBBs, PBDES) SHALL NOT EXCEED THE MAXIMUM PERMISSIBLE CONCENTRATION PRESCRIBED UNDER EU ELV DIRECTIVE & ROHS REGULATION.
3. APPLICABLE R/HOLDER : MG635256
4. APPLICABLE TERMINAL : ST741175,1176,BOTH SIDE-741304

ISSUE MARK

DR.	PSH.	10.12.07	CHK.	CHK.	APP.	BUC.	DATE	TOLERANCE AS SHOWN	SCALE	PART NO.
CHK.	KSH.								2/1	MG625255
NEW 050 18P HOUSING(Wing)										

REV.	DESCRIPTION	DATE	BY	CHK.	APP.
Δ	ECO-1410-121군거 도면수정	'14.10.17	PSH	KSH	BUC
Δ	ECO-1210-019군거 도면수정	'12.10.08	PSH	KSH	BUC
Δ	ECO-1202-336군거 도면수정	'12.02.20	KSJ	KSH	BUC
Δ	설계시안변경(S110043)군거 수정	'11.02.08	PSH	KSH	BUC

MATERIAL	ΔPET+PC(GWIT)	
FINISH	NATURAL	
WIRE RANGE		CLASS
INSULATION		TYPE
		050

KET	KOREA ELECTRIC
ENGINEERED	TERMINAL CO., LTD.